

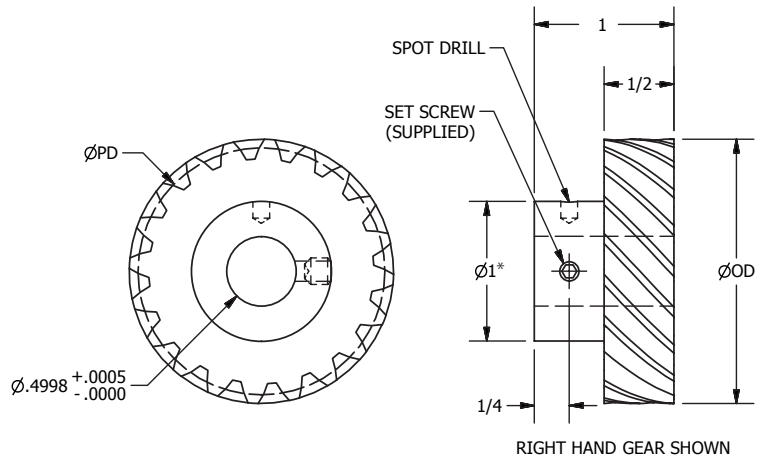
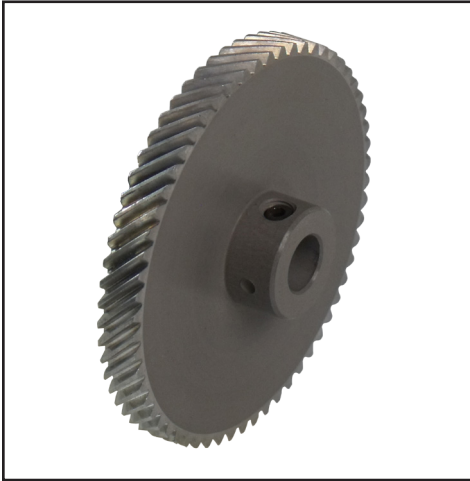
HG16

# GEARS

## Helical

16 Diametral Pitch

HG16



Part Number		Teeth	Pitch Diameter	Outside Diameter
Right Hand	Left Hand			
HG16P38S-12R	HG16P38S-12L	12*	1.0600	1.185
HG16P38S-16R	HG16P38S-16L	16	1.4142	1.539
HG16P38S-20R	HG16P38S-20L	20	1.7677	1.892
HG16P38S-24R	HG16P38S-24L	24	2.1213	2.246
HG16P38S-32R	HG16P38S-32L	32	2.8284	2.953
HG16P38S-40R	HG16P38S-40L	40	3.5355	3.660
HG16P38S-48R	HG16P38S-48L	48	4.2426	4.367

**Gear Data**

Pitch 16DP  
 AGMA 9  
 Pressure Angle 20°  
 Helix Angle 45°

**Material**

303 Stainless Steel

\* Gears with 12 teeth have .81 diameter hub

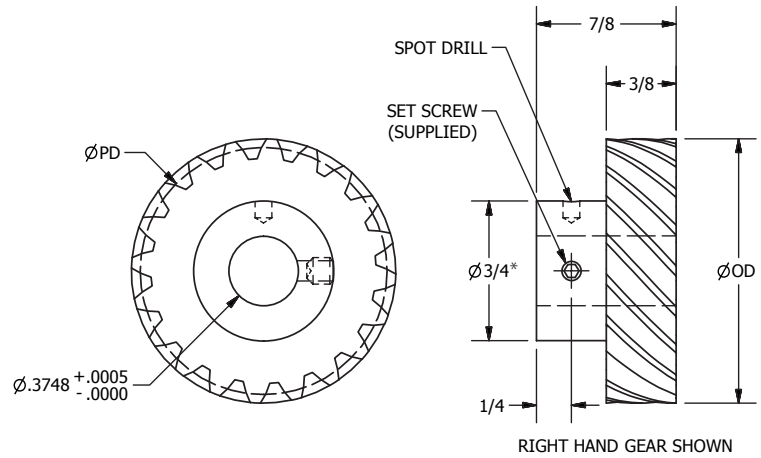
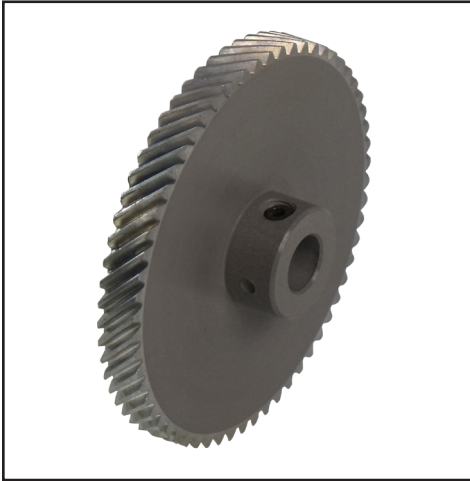
HG20

# GEARS

## Helical

20 Diametral Pitch

HG20



Part Number		Teeth	Pitch Diameter	Outside Diameter
Right Hand	Left Hand			
HG20P35S-10R	HG20P35S-10L	10*	0.7071	0.807
HG20P35S-15R	HG20P35S-15L	15	1.0606	1.160
HG20P35S-20R	HG20P35S-20L	20	1.4142	1.514
HG20P35S-25R	HG20P35S-25L	25	1.7677	1.867
HG20P35S-30R	HG20P35S-30L	30	2.1213	2.221
HG20P35S-40R	HG20P35S-40L	40	2.8284	2.928
HG20P35S-50R	HG20P35S-50L	50	3.5355	3.635
HG20P35S-60R	HG20P35S-60L	60	4.2426	4.342

**Gear Data**

Pitch 20DP  
 AGMA 9  
 Pressure Angle 20°  
 Helix Angle 45°

\* Gears with 10 teeth have .65 diameter hub

**Material**

303 Stainless Steel

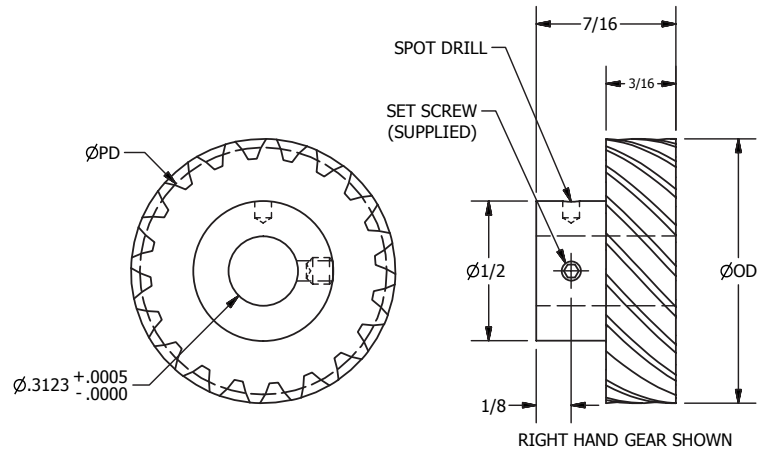
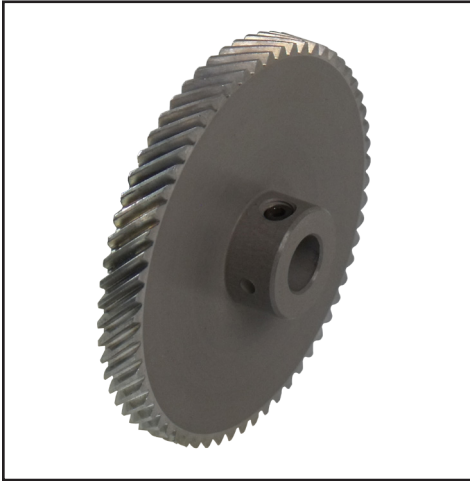
HG24

# GEARS

## Helical

24 Diametral Pitch

HG24



Part Number		Teeth	Pitch Diameter	Outside Diameter
Right Hand	Left Hand			
HG24P32A-12R	HG24P32A-12L	12	0.7071	0.790
HG24P32A-18R	HG24P32A-18L	18	1.0606	1.143
HG24P32A-24R	HG24P32A-24L	24	1.4142	1.497
HG24P32A-30R	HG24P32A-30L	30	1.7677	1.850
HG24P32A-36R	HG24P32A-36L	36	2.1213	2.204
HG24P32A-48R	HG24P32A-48L	48	2.8284	2.911
HG24P32A-60R	HG24P32A-60L	60	3.5355	3.618
HG24P32A-72R	HG24P32A-72L	72	4.2426	4.325
HG24P32S-12R	HG24P32S-12L	12	0.7071	0.790
HG24P32S-18R	HG24P32S-18L	18	1.0606	1.143
HG24P32S-24R	HG24P32S-24L	24	1.4142	1.497
HG24P32S-30R	HG24P32S-30L	30	1.7677	1.850
HG24P32S-36R	HG24P32S-36L	36	2.1213	2.204
HG24P32S-48R	HG24P32S-48L	48	2.8284	2.911
HG24P32S-60R	HG24P32S-60L	60	3.5355	3.618
HG24P32S-72R	HG24P32S-72L	72	4.2426	4.325

**Gear Data**

Pitch 24DP  
 AGMA 10  
 Pressure Angle 20°  
 Helix Angle 45°

**Material**

303 Stainless Steel

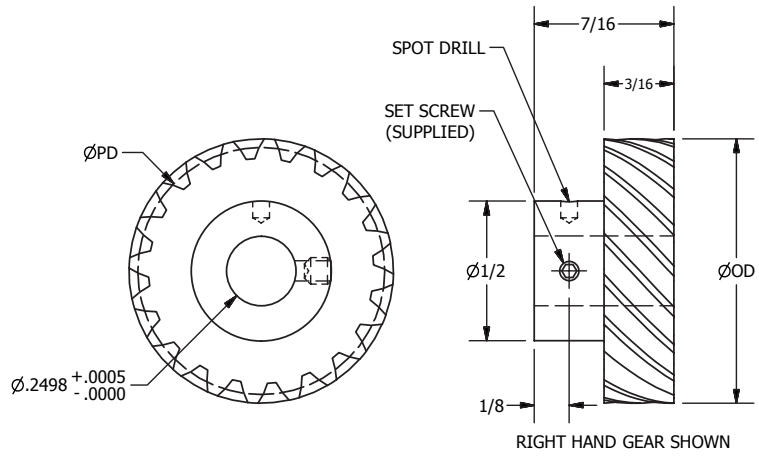
HG32

# GEARS

## Helical

32 Diametral Pitch

HG32



Part Number						
303 Stainless Steel		2024-T4 Aluminum, Anodized		Teeth	Pitch Diameter	Outside Diameter
Right Hand	Left Hand	Right Hand	Left Hand			
HG32P28S-16R	HG32P28S-16L	HG32P28A-16R	HG32P28A-16L	16	0.7071	0.769
HG32P28S-24R	HG32P28S-24L	HG32P28A-24R	HG32P28A-24L	24	1.0606	1.122
HG32P28S-32R	HG32P28S-32L	HG32P28A-32R	HG32P28A-32L	32	1.4142	1.476
HG32P28S-40R	HG32P28S-40L	HG32P28A-40R	HG32P28A-40L	40	1.7677	1.829
HG32P28S-48R	HG32P28S-48L	HG32P28A-48R	HG32P28A-48L	48	2.1213	2.183
HG32P28S-64R	HG32P28S-64L	HG32P28A-64R	HG32P28A-64L	64	2.8284	2.890
HG32P28S-80R	HG32P28S-80L	HG32P28A-80R	HG32P28A-80L	80	3.5355	3.597
HG32P28S-96R	HG32P28S-96L	HG32P28A-96R	HG32P28A-96L	96	4.2426	4.304

**Gear Data**

Pitch 32DP  
 AGMA 10  
 Pressure Angle 20°  
 Helix Angle 45°

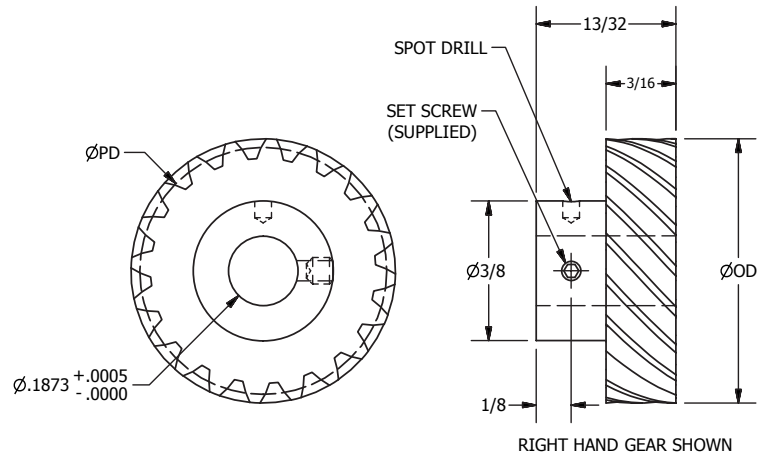
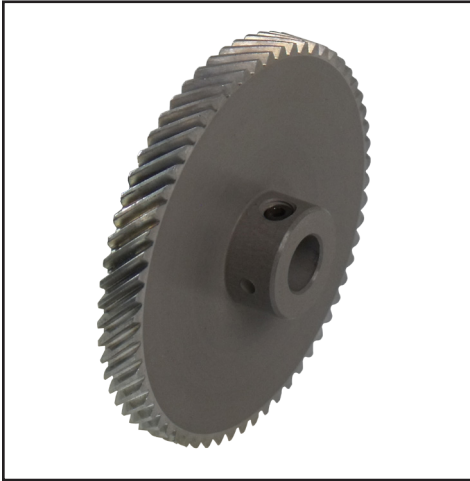
HG48

# GEARS

## Helical

48 Diametral Pitch

HG48



Part Number						
303 Stainless Steel		2024-T4 Aluminum, Anodized		Teeth	Pitch Diameter	Outside Diameter
Right Hand	Left Hand	Right Hand	Left Hand			
HG48P21S-20R	HG48P21S-20L	HG48P21A-20R	HG48P21A-20L	20	0.5892	0.630
HG48P21S-24R	HG48P21S-24L	HG48P21A-24R	HG48P21A-24L	24	0.7071	0.748
HG48P21S-25R	HG48P21S-25L	HG48P21A-25R	HG48P21A-25L	25	0.7365	0.777
HG48P21S-30R	HG48P21S-30L	HG48P21A-30R	HG48P21A-30L	30	0.8838	0.924
HG48P21S-35R	HG48P21S-35L	HG48P21A-35R	HG48P21A-35L	35	1.0311	1.072
HG48P21S-36R	HG48P21S-36L	HG48P21A-36R	HG48P21A-36L	36	1.0606	1.101
HG48P21S-40R	HG48P21S-40L	HG48P21A-40R	HG48P21A-40L	40	1.1785	1.219
HG48P21S-45R	HG48P21S-45L	HG48P21A-45R	HG48P21A-45L	45	1.3258	1.366
HG48P21S-48R	HG48P21S-48L	HG48P21A-48R	HG48P21A-48L	48	1.4142	1.455
HG48P21S-50R	HG48P21S-50L	HG48P21A-50R	HG48P21A-50L	50	1.4731	1.514
HG48P21S-60R	HG48P21S-60L	HG48P21A-60R	HG48P21A-60L	60	1.7677	1.808
HG48P21S-70R	HG48P21S-70L	HG48P21A-70R	HG48P21A-70L	70	2.0623	2.103
HG48P21S-72R	HG48P21S-72L	HG48P21A-72R	HG48P21A-72L	72	2.1213	2.162
HG48P21S-80R	HG48P21S-80L	HG48P21A-80R	HG48P21A-80L	80	2.3568	2.397
HG48P21S-90R	HG48P21S-90L	HG48P21A-90R	HG48P21A-90L	90	2.6516	2.692
HG48P21S-96R	HG48P21S-96L	HG48P21A-96R	HG48P21A-96L	96	2.8282	2.869
HG48P21S-100R	HG48P21S-100L	HG48P21A-100R	HG48P21A-100L	100	2.9462	2.987
HG48P21S-120R	HG48P21S-120L	HG48P21A-120R	HG48P21A-120L	120	3.5355	3.576
HG48P21S-144R	HG48P21S-144L	HG48P21A-144R	HG48P21A-144L	144	4.2426	4.283

**Gear Data**

Pitch	48DP
AGMA	10
Pressure Angle	20°
Helix Angle	45°

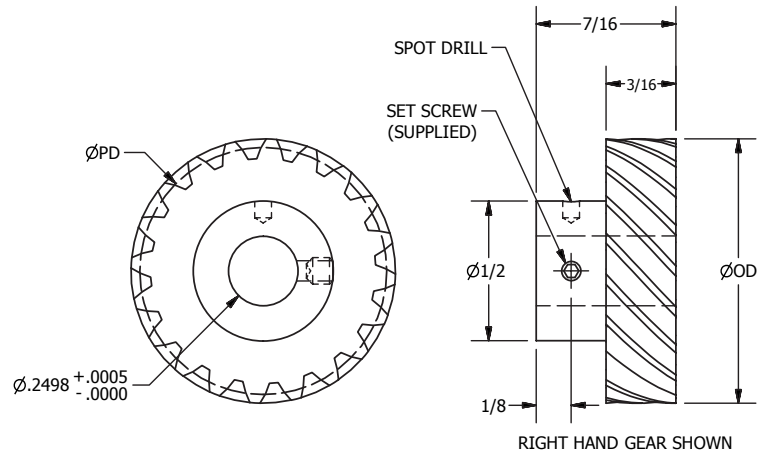
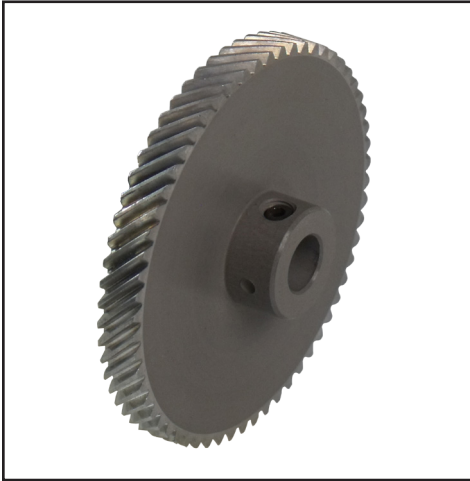
HG48

# GEARS

## Helical

48 Diametral Pitch

HG48



Part Number						
303 Stainless Steel		2024-T4 Aluminum, Anodized		Teeth	Pitch Diameter	Outside Diameter
Right Hand	Left Hand	Right Hand	Left Hand			
HG48P28S-20R	HG48P28S-20L	HG48P28A-20R	HG48P28A-20L	20	0.5892	0.630
HG48P28S-24R	HG48P28S-24L	HG48P28A-24R	HG48P28A-24L	24	0.7071	0.748
HG48P28S-25R	HG48P28S-25L	HG48P28A-25R	HG48P28A-25L	25	0.7365	0.777
HG48P28S-30R	HG48P28S-30L	HG48P28A-30R	HG48P28A-30L	30	0.8838	0.924
HG48P28S-35R	HG48P28S-35L	HG48P28A-35R	HG48P28A-35L	35	1.0311	1.072
HG48P28S-36R	HG48P28S-36L	HG48P28A-36R	HG48P28A-36L	36	1.0606	1.101
HG48P28S-40R	HG48P28S-40L	HG48P28A-40R	HG48P28A-40L	40	1.1785	1.219
HG48P28S-45R	HG48P28S-45L	HG48P28A-45R	HG48P28A-45L	45	1.3258	1.366
HG48P28S-48R	HG48P28S-48L	HG48P28A-48R	HG48P28A-48L	48	1.4142	1.455
HG48P28S-50R	HG48P28S-50L	HG48P28A-50R	HG48P28A-50L	50	1.4731	1.514
HG48P28S-60R	HG48P28S-60L	HG48P28A-60R	HG48P28A-60L	60	1.7677	1.808
HG48P28S-70R	HG48P28S-70L	HG48P28A-70R	HG48P28A-70L	70	2.0623	2.103
HG48P28S-72R	HG48P28S-72L	HG48P28A-72R	HG48P28A-72L	72	2.1213	2.162
HG48P28S-80R	HG48P28S-80L	HG48P28A-80R	HG48P28A-80L	80	2.3568	2.397
HG48P28S-90R	HG48P28S-90L	HG48P28A-90R	HG48P28A-90L	90	2.6516	2.692
HG48P28S-96R	HG48P28S-96L	HG48P28A-96R	HG48P28A-96L	96	2.8282	2.869
HG48P28S-100R	HG48P28S-100L	HG48P28A-100R	HG48P28A-100L	100	2.9462	2.987
HG48P28S-120R	HG48P28S-120L	HG48P28A-120R	HG48P28A-120L	120	3.5355	3.576
HG48P28S-144R	HG48P28S-144L	HG48P28A-144R	HG48P28A-144L	144	4.2426	4.283

**Gear Data**

Pitch	48DP
AGMA	10
Pressure Angle	20°
Helix Angle	45°

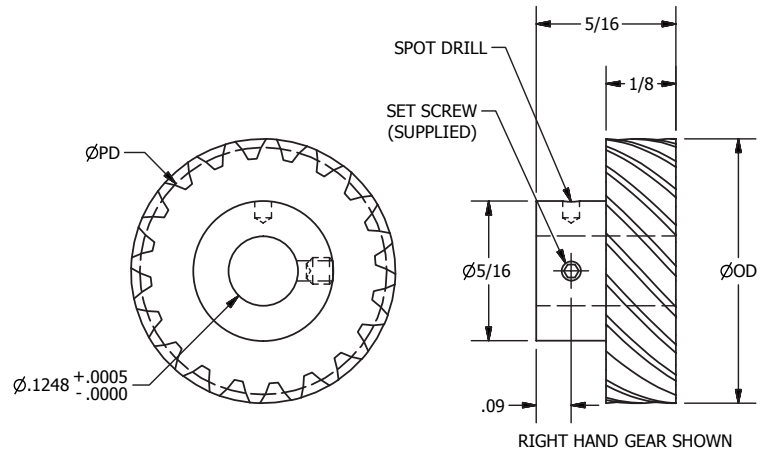
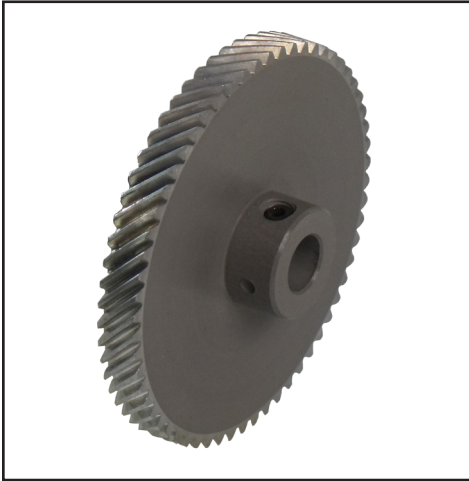
HG64

# GEARS

## Helical

64 Diametral Pitch

HG64



Part Number						
303 Stainless Steel		2024-T4 Aluminum, Anodized		Teeth	Pitch Diameter	Outside Diameter
Right Hand	Left Hand	Right Hand	Left Hand			
HG64P10S-20R	HG64P10S-20L	HG64P10A-20R	HG64P10A-20L	20	0.4419	0.472
HG64P10S-25R	HG64P10S-25L	HG64P10A-25R	HG64P10A-25L	25	0.5524	0.583
HG64P10S-30R	HG64P10S-30L	HG64P10A-30R	HG64P10A-30L	30	0.6629	0.693
HG64P10S-32R	HG64P10S-32L	HG64P10A-32R	HG64P10A-32L	32	0.7071	0.737
HG64P10S-35R	HG64P10S-35L	HG64P10A-35R	HG64P10A-35L	35	0.7733	0.804
HG64P10S-40R	HG64P10S-40L	HG64P10A-40R	HG64P10A-40L	40	0.8838	0.914
HG64P10S-45R	HG64P10S-45L	HG64P10A-45R	HG64P10A-45L	45	0.9943	1.025
HG64P10S-48R	HG64P10S-48L	HG64P10A-48R	HG64P10A-48L	48	1.0606	1.091
HG64P10S-50R	HG64P10S-50L	HG64P10A-50R	HG64P10A-50L	50	1.1048	1.135
HG64P10S-60R	HG64P10S-60L	HG64P10A-60R	HG64P10A-60L	60	1.3258	1.356
HG64P10S-64R	HG64P10S-64L	HG64P10A-64R	HG64P10A-64L	64	1.4142	1.444
HG64P10S-70R	HG64P10S-70L	HG64P10A-70R	HG64P10A-70L	70	1.5467	1.577
HG64P10S-80R	HG64P10S-80L	HG64P10A-80R	HG64P10A-80L	80	1.7677	1.798
HG64P10S-90R	HG64P10S-90L	HG64P10A-90R	HG64P10A-90L	90	1.9886	2.019
HG64P10S-96R	HG64P10S-96L	HG64P10A-96R	HG64P10A-96L	96	2.1213	2.152
HG64P10S-100R	HG64P10S-100L	HG64P10A-100R	HG64P10A-100L	100	2.2096	2.240
HG64P10S-128R	HG64P10S-128L	HG64P10A-128R	HG64P10A-128L	128	2.8284	2.859
HG64P10S-160R	HG64P10S-160L	HG64P10A-160R	HG64P10A-160L	160	3.5355	3.566

**Gear Data**

Pitch 64DP  
 AGMA 10  
 Pressure Angle 20°  
 Helix Angle 45°

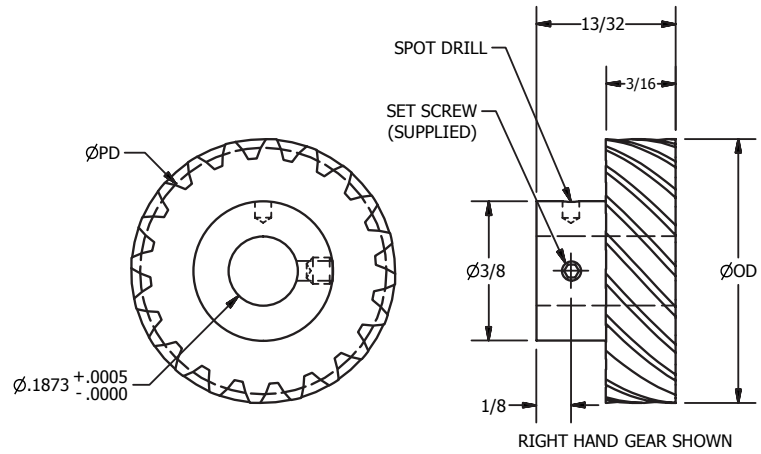
HG64

# GEARS

## Helical

64 Diametral Pitch

HG64



Part Number						
303 Stainless Steel		2024-T4 Aluminum, Anodized		Teeth	Pitch Diameter	Outside Diameter
Right Hand	Left Hand	Right Hand	Left Hand			
HG64P21S-20R	HG64P21S-20L	HG64P21A-20R	HG64P21A-20L	20	0.4419	0.472
HG64P21S-25R	HG64P21S-25L	HG64P21A-25R	HG64P21A-25L	25	0.5524	0.583
HG64P21S-30R	HG64P21S-30L	HG64P21A-30R	HG64P21A-30L	30	0.6629	0.693
HG64P21S-32R	HG64P21S-32L	HG64P21A-32R	HG64P21A-32L	32	0.7071	0.737
HG64P21S-35R	HG64P21S-35L	HG64P21A-35R	HG64P21A-35L	35	0.7733	0.804
HG64P21S-40R	HG64P21S-40L	HG64P21A-40R	HG64P21A-40L	40	0.8838	0.914
HG64P21S-45R	HG64P21S-45L	HG64P21A-45R	HG64P21A-45L	45	0.9943	1.025
HG64P21S-48R	HG64P21S-48L	HG64P21A-48R	HG64P21A-48L	48	1.0606	1.091
HG64P21S-50R	HG64P21S-50L	HG64P21A-50R	HG64P21A-50L	50	1.1048	1.135
HG64P21S-60R	HG64P21S-60L	HG64P21A-60R	HG64P21A-60L	60	1.3258	1.356
HG64P21S-64R	HG64P21S-64L	HG64P21A-64R	HG64P21A-64L	64	1.4142	1.444
HG64P21S-70R	HG64P21S-70L	HG64P21A-70R	HG64P21A-70L	70	1.5467	1.577
HG64P21S-80R	HG64P21S-80L	HG64P21A-80R	HG64P21A-80L	80	1.7677	1.798
HG64P21S-90R	HG64P21S-90L	HG64P21A-90R	HG64P21A-90L	90	1.9886	2.019
HG64P21S-96R	HG64P21S-96L	HG64P21A-96R	HG64P21A-96L	96	2.1213	2.152
HG64P21S-100R	HG64P21S-100L	HG64P21A-100R	HG64P21A-100L	100	2.2096	2.240
HG64P21S-128R	HG64P21S-128L	HG64P21A-128R	HG64P21A-128L	128	2.8284	2.859
HG64P21S-160R	HG64P21S-160L	HG64P21A-160R	HG64P21A-160L	160	3.5355	3.566

**Gear Data**

Pitch 64DP  
 AGMA 10  
 Pressure Angle 20°  
 Helix Angle 45°