

WG16

GEARS

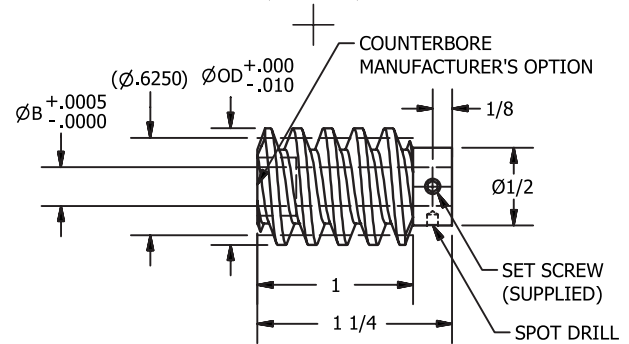
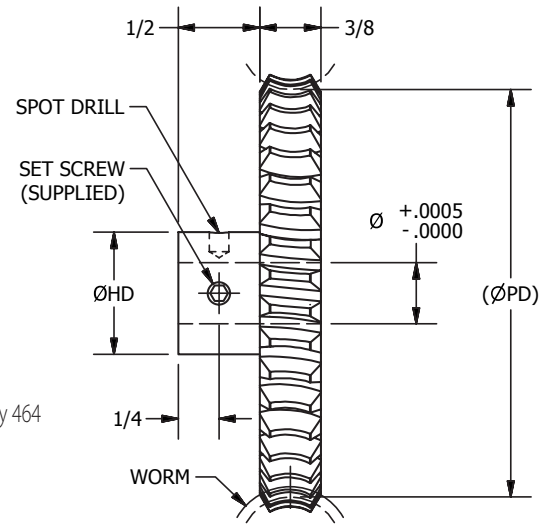
Worms & Worm

16 Diametral Pitch

WG16



Materials:
 Worm: 303 Stainless Steel
 Worm Gear: Bronze QQ-B-637 Alloy 464
 Agma Quality: 8



| Worm Part Number | # of Starts | Lead | Helix Angle | Pressure Angle | Bore (B) |
|------------------|-------------|--------|-------------|----------------|----------|
| WG16S-4S | 1 | 0.1963 | 5° 43' | 14.5° | 0.2498 |
| WG16S-5S | 1 | 0.1963 | 5° 43' | 14.5° | 0.3123 |
| WG16S-4D | 2 | 0.3927 | 11° 19' | 14.5° | 0.2498 |
| WG16S-5D | 2 | 0.3927 | 11° 19' | 14.5° | 0.3123 |
| WG16S-4F | 4 | 0.7854 | 21° 48' | 20° | 0.2498 |
| WG16S-5F | 4 | 0.7854 | 21° 48' | 20° | 0.3123 |

| # of Teeth | Pitch Dia. (PD) | Worm Gear Part Number | | | | | |
|-------------------|-----------------|-----------------------|---------------|---------------|---------------|---------------|---------------|
| 20 | 1.258 | WG16P35B-S20 | WG16P37B-S20 | WG16P35B-D20 | WG16P37B-D20 | WG16P35B-F20 | WG16P37B-F20 |
| 30 | 1.875 | WG16P35B-S30 | WG16P37B-S30 | WG16P35B-D30 | WG16P37B-D30 | WG16P35B-F30 | WG16P37B-F30 |
| 40 | 2.500 | WG16P35B-S40 | WG16P37B-S40 | WG16P35B-D40 | WG16P37B-D40 | WG16P35B-F40 | WG16P37B-F40 |
| 50 | 3.125 | WG16P35B-S50 | WG16P37B-S50 | WG16P35B-D50 | WG16P37B-D50 | WG16P35B-F50 | WG16P37B-F50 |
| 60 | 3.750 | WG16P35B-S60 | WG16P37B-S60 | WG16P35B-D60 | WG16P37B-D60 | WG16P35B-F60 | WG16P37B-F60 |
| 80 | 5.000 | WG16P35B-S80 | WG16P37B-S80 | WG16P35B-D80 | WG16P37B-D80 | WG16P35B-F80 | WG16P37B-F80 |
| 100 | 6.250 | WG16P35B-S100 | WG16P37B-S100 | WG16P35B-D100 | WG16P37B-D100 | WG16P35B-F100 | WG16P37B-F100 |
| # of Starts | | 1 | 1 | 2 | 2 | 4 | 4 |
| Circular Pitch | | 0.1963 | 0.1963 | 0.3927 | 0.3927 | 0.7854 | 0.7854 |
| Helix Angle | | 5° 43' | 5° 43' | 11° 19' | 11° 19' | 21° 48' | 21° 48' |
| Pressure Angle | | 14.5° | 14.5° | 14.5° | 14.5° | 20° | 20° |
| Bore (B) | | 0.3748 | 0.4998 | 0.3748 | 0.4998 | 0.3748 | 0.4998 |
| Hub Diameter (HD) | | 3/4 | 1 | 3/4 | 1 | 3/4 | 1 |

WG24

GEARS

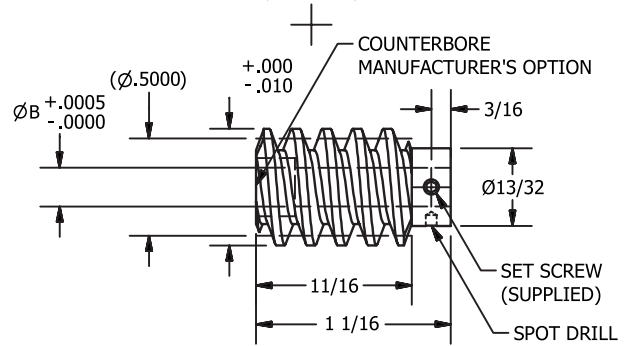
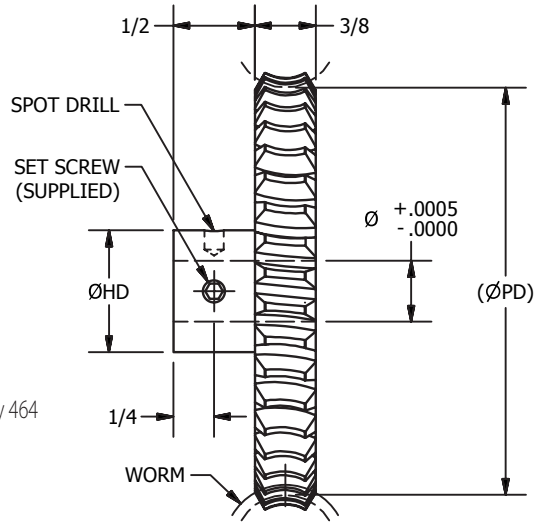
Worms & Worm 24 Diametral Pitch

WG24



Materials:
Worm: 303 Stainless Steel
Worm Gear: Bronze QQ-B-637 Alloy 464

Agma Quality: 10



| Worm Part Number | # of Starts | Lead | Helix Angle | Pressure Angle | Bore (B) |
|------------------|-------------|--------|-------------|----------------|----------|
| WG24S-4S | 1 | 0.1309 | 4° 46' | 14.5° | 0.2498 |
| WG24S-4D | 2 | 0.2518 | 9° 28' | 20° | 0.2498 |
| WG24S-4F | 4 | 0.5236 | 18° 26' | 25° | 0.2498 |

| # of Teeth | Pitch Dia. (PD) | Worm Gear Part Number | | | | | |
|-------------------|-----------------|-----------------------|---------------|---------------|---------------|---------------|---------------|
| 20 | 0.833 | WG24P35B-S20 | WG24P37B-S20 | WG24P35B-D20 | WG24P37B-D20 | WG24P35B-F20 | WG24P37B-F20 |
| 30 | 1.250 | WG24P35B-S30 | WG24P37B-S30 | WG24P35B-D30 | WG24P37B-D30 | WG24P35B-F30 | WG24P37B-F30 |
| 40 | 1.667 | WG24P35B-S40 | WG24P37B-S40 | WG24P35B-D40 | WG24P37B-D40 | WG24P35B-F40 | WG24P37B-F40 |
| 50 | 2.083 | WG24P35B-S50 | WG24P37B-S50 | WG24P35B-D50 | WG24P37B-D50 | WG24P35B-F50 | WG24P37B-F50 |
| 60 | 2.500 | WG24P35B-S60 | WG24P37B-S60 | WG24P35B-D60 | WG24P37B-D60 | WG24P35B-F60 | WG24P37B-F60 |
| 72 | 3.000 | WG24P35B-S72 | WG24P37B-S72 | WG24P35B-D72 | WG24P37B-D72 | WG24P35B-F72 | WG24P37B-F72 |
| 80 | 3.333 | WG24P35B-S80 | WG24P37B-S80 | WG24P35B-D80 | WG24P37B-D80 | WG24P35B-F80 | WG24P37B-F80 |
| 96 | 4.000 | WG24P35B-S96 | WG24P37B-S96 | WG24P35B-D96 | WG24P37B-D96 | WG24P35B-F96 | WG24P37B-F96 |
| 100 | 4.167 | WG24P35B-S100 | WG24P37B-S100 | WG24P35B-D100 | WG24P37B-D100 | WG24P35B-F100 | WG24P37B-F100 |
| # of Starts | | 1 | 1 | 2 | 2 | 4 | 4 |
| Circular Pitch | | 0.1309 | 0.1309 | 0.2518 | 0.2518 | 0.5236 | 0.5236 |
| Helix Angle | | 4° 46' | 4° 46' | 9° 28' | 9° 28' | 18° 26' | 18° 26' |
| Pressure Angle | | 14.5° | 14.5° | 20° | 20° | 25° | 25° |
| Bore (B) | | 0.3748 | 0.4998 | 0.3748 | 0.4998 | 0.3748 | 0.4998 |
| Hub Diameter (HD) | | 3/4 | 1 | 3/4 | 1 | 3/4 | 1 |

WG32

GEARS

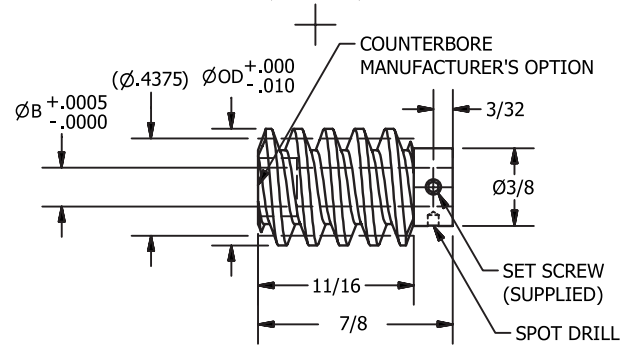
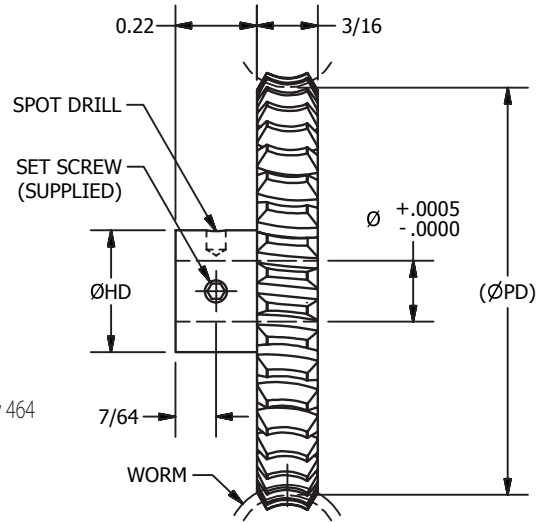
Worms & Worm

32 Diametral Pitch

WG32



Materials:
 Worm: 303 Stainless Steel
 Worm Gear: Bronze QQ-B-637 Alloy 464
 Agma Quality: 10



| Worm Part Number | # of Starts | Lead | Helix Angle | Pressure Angle | Bore (B) |
|------------------|-------------|--------|-------------|----------------|----------|
| WG32S-3S | 1 | 0.1963 | 4° 5' | 14.5° | 0.1873 |
| WG32S-3D | 2 | 0.3927 | 8° 8' | 20° | 0.1873 |
| WG32S-3F | 4 | 0.7854 | 15° 57' | 25° | 0.1873 |

| # of Teeth | Pitch Dia. (PD) | Worm Gear Part Number | | | | | |
|-------------------|-----------------|-----------------------|---------------|---------------|---------------|---------------|---------------|
| 20 | 0.625 | WG32P29B-S20 | WG32P30B-S20 | WG32P29B-D20 | WG32P30B-D20 | WG32P29B-F20 | WG32P30B-F20 |
| 30 | 0.938 | WG32P29B-S30 | WG32P30B-S30 | WG32P29B-D30 | WG32P30B-D30 | WG32P29B-F30 | WG32P30B-F30 |
| 40 | 1.250 | WG32P29B-S40 | WG32P30B-S40 | WG32P29B-D40 | WG32P30B-D40 | WG32P29B-F40 | WG32P30B-F40 |
| 50 | 1.562 | WG32P29B-S50 | WG32P30B-S50 | WG32P29B-D50 | WG32P30B-D50 | WG32P29B-F50 | WG32P30B-F50 |
| 60 | 1.875 | WG32P29B-S60 | WG32P30B-S60 | WG32P29B-D60 | WG32P30B-D60 | WG32P29B-F60 | WG32P30B-F60 |
| 80 | 2.500 | WG32P29B-S80 | WG32P30B-S80 | WG32P29B-D80 | WG32P30B-D80 | WG32P29B-F80 | WG32P30B-F80 |
| 96 | 3.000 | WG32P29B-S96 | WG32P30B-S96 | WG32P29B-D96 | WG32P30B-D96 | WG32P29B-F96 | WG32P30B-F96 |
| 100 | 3.125 | WG32P29B-S100 | WG32P30B-S100 | WG32P29B-D100 | WG32P30B-D100 | WG32P29B-F100 | WG32P30B-F100 |
| 120 | 3.750 | WG32P29B-S120 | WG32P30B-S120 | WG32P29B-D120 | WG32P30B-D120 | WG32P29B-F120 | WG32P30B-F120 |
| 180 | 5.625 | WG32P29B-S180 | WG32P30B-S180 | WG32P29B-D180 | WG32P30B-D180 | WG32P29B-F180 | WG32P30B-F180 |
| # of Starts | | 1 | 1 | 2 | 2 | 4 | 4 |
| Circular Pitch | | 0.1963 | 0.1963 | 0.3927 | 0.3927 | 0.7854 | 0.7854 |
| Helix Angle | | 4° 5' | 4° 5' | 8° 8' | 8° 8' | 15° 57' | 15° 57' |
| Pressure Angle | | 14.5° | 14.5° | 20° | 20° | 25° | 25° |
| Bore (B) | | 0.2498 | 0.3123 | 0.2498 | 0.3123 | 0.2498 | 0.3123 |
| Hub Diameter (HD) | | 1/2 | 1/2 | 1/2 | 1/2 | 1/2 | 1/2 |

WG48

GEARS

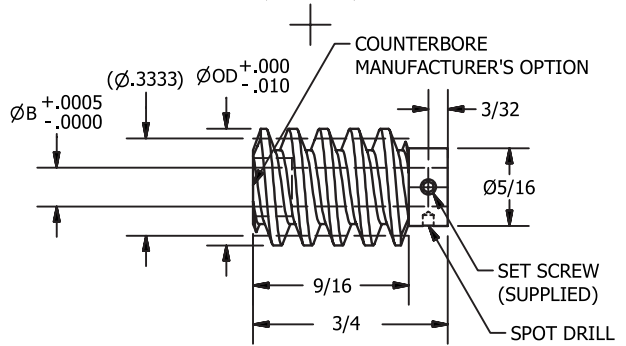
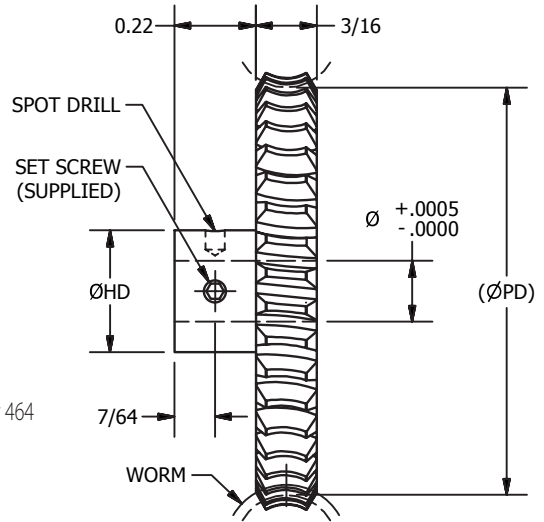
Worms & Worm

48 Diametral Pitch

WG48



Materials:
 Worm: 303 Stainless Steel
 Worm Gear: Bronze QQ-B-637 Alloy 464
 Agma Quality: 10



| Worm Part Number | # of Starts | Lead | Helix Angle | Pressure Angle | Bore (B) |
|------------------|-------------|--------|-------------|----------------|----------|
| WG48S-2S | 1 | 0.0654 | 3° 35' | 14.5° | 0.1248 |
| WG48S-3S | 1 | 0.0654 | 3° 35' | 14.5° | 0.1873 |
| WG48S-2D | 2 | 0.1309 | 7° 7' | 20° | 0.1248 |
| WG48S-3D | 2 | 0.1309 | 7° 7' | 20° | 0.1873 |
| WG48S-2F | 4 | 0.2618 | 14° 2' | 25° | 0.1248 |
| WG48S-3F | 4 | 0.2618 | 14° 2' | 25° | 0.1873 |

| # of Teeth | Pitch Dia. (PD) | Worm Gear Part Number | | | | | |
|-------------------|-----------------|-----------------------|---------------|---------------|---------------|---------------|---------------|
| 30 | 0.625 | WG48P21B-S30 | WG48P29B-S30 | WG48P21B-D30 | WG48P29B-D30 | WG48P21B-F30 | WG48P29B-F30 |
| 40 | 0.833 | WG48P21B-S40 | WG48P29B-S40 | WG48P21B-D40 | WG48P29B-D40 | WG48P21B-F40 | WG48P29B-F40 |
| 50 | 1.042 | WG48P21B-S50 | WG48P29B-S50 | WG48P21B-D50 | WG48P29B-D50 | WG48P21B-F50 | WG48P29B-F50 |
| 60 | 1.250 | WG48P21B-S60 | WG48P29B-S60 | WG48P21B-D60 | WG48P29B-D60 | WG48P21B-F60 | WG48P29B-F60 |
| 70 | 1.458 | WG48P21B-S70 | WG48P29B-S70 | WG48P21B-D70 | WG48P29B-D70 | WG48P21B-F70 | WG48P29B-F70 |
| 80 | 1.667 | WG48P21B-S80 | WG48P29B-S80 | WG48P21B-D80 | WG48P29B-D80 | WG48P21B-F80 | WG48P29B-F80 |
| 90 | 1.875 | WG48P21B-S90 | WG48P29B-S90 | WG48P21B-D90 | WG48P29B-D90 | WG48P21B-F90 | WG48P29B-F90 |
| 100 | 2.083 | WG48P21B-S100 | WG48P29B-S100 | WG48P21B-D100 | WG48P29B-D100 | WG48P21B-F100 | WG48P29B-F100 |
| 120 | 2.500 | WG48P21B-S120 | WG48P29B-S120 | WG48P21B-D120 | WG48P29B-D120 | WG48P21B-F120 | WG48P29B-F120 |
| 180 | 3.750 | WG48P21B-S180 | WG48P29B-S180 | WG48P21B-D180 | WG48P29B-D180 | WG48P21B-F180 | WG48P29B-F180 |
| # of Starts | | 1 | 1 | 2 | 2 | 4 | 4 |
| Circular Pitch | | 0.0654 | 0.0654 | 0.1309 | 0.1309 | 0.2618 | 0.2618 |
| Helix Angle | | 3° 35' | 3° 35' | 7° 7' | 7° 7' | 14° 2' | 14° 2' |
| Pressure Angle | | 14.5° | 14.5° | 20° | 20° | 25° | 25° |
| Bore (B) | | 0.1873 | 0.2498 | 0.1873 | 0.2498 | 0.1873 | 0.2498 |
| Hub Diameter (HD) | | 3/8 | 1/2 | 3/8 | 1/2 | 3/8 | 1/2 |

WG64

GEARS

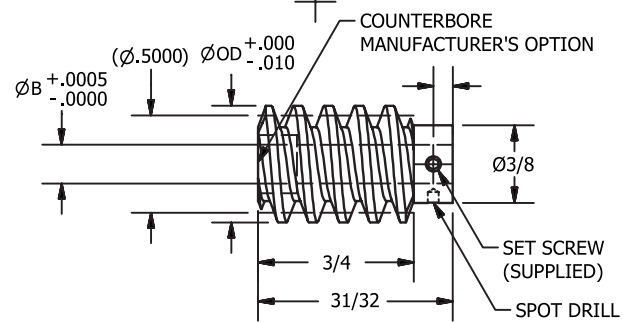
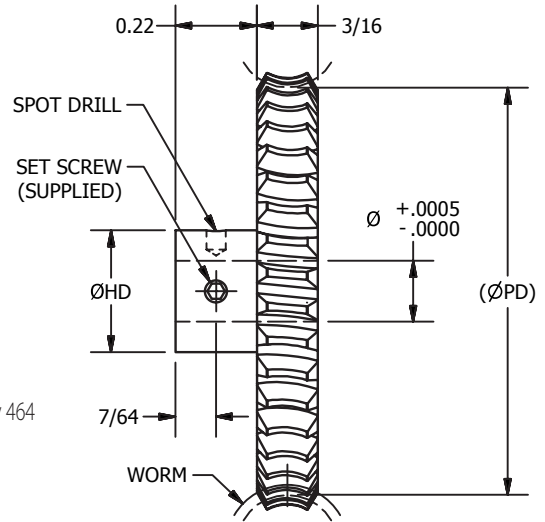
Worms & Worm

64 Diametral Pitch

WG64



Materials:
 Worm: 303 Stainless Steel
 Worm Gear: Bronze QQ-B-637 Alloy 464
 Agma Quality: 10



| Worm Part Number | # of Starts | Lead | Helix Angle | Pressure Angle | Bore (B) |
|------------------|-------------|--------|-------------|----------------|----------|
| WG64S-2S | | | | | 0.1248 |
| WG64S-3S | 1 | 0.0491 | 1° 47' | 14.5° | 0.1873 |
| WG64S-4S | | | | | 0.2498 |
| WG64S-2D | 2 | 0.0982 | 3° 35' | 14.5° | 0.1248 |
| WG64S-3D | | | | | 0.1873 |
| WG64S-2F | | | | | 0.1248 |
| WG64S-3F | 4 | 0.1964 | 7° 11' | 14.5° | 0.1873 |
| WG64S-4F | | | | | 0.2498 |

| # of Teeth | Pitch Dia. (PD) | Worm Gear Part Number | | | | | |
|-------------------|-----------------|-----------------------|---------------|---------------|---------------|---------------|---------------|
| 40 | 0.625 | WG64P21B-S40 | WG64P29B-S40 | WG64P21B-D40 | WG64P29B-D40 | WG64P21B-F40 | WG64P29B-F40 |
| 50 | 0.781 | WG64P21B-S50 | WG64P29B-S50 | WG64P21B-D50 | WG64P29B-D50 | WG64P21B-F50 | WG64P29B-F50 |
| 60 | 0.937 | WG64P21B-S60 | WG64P29B-S60 | WG64P21B-D60 | WG64P29B-D60 | WG64P21B-F60 | WG64P29B-F60 |
| 70 | 1.093 | WG64P21B-S70 | WG64P29B-S70 | WG64P21B-D70 | WG64P29B-D70 | WG64P21B-F70 | WG64P29B-F70 |
| 80 | 1.250 | WG64P21B-S80 | WG64P29B-S80 | WG64P21B-D80 | WG64P29B-D80 | WG64P21B-F80 | WG64P29B-F80 |
| 90 | 1.406 | WG64P21B-S90 | WG64P29B-S90 | WG64P21B-D90 | WG64P29B-D90 | WG64P21B-F90 | WG64P29B-F90 |
| 100 | 1.562 | WG64P21B-S100 | WG64P29B-S100 | WG64P21B-D100 | WG64P29B-D100 | WG64P21B-F100 | WG64P29B-F100 |
| 110 | 1.719 | WG64P21B-S110 | WG64P29B-S110 | WG64P21B-D110 | WG64P29B-D110 | WG64P21B-F110 | WG64P29B-F110 |
| 120 | 1.875 | WG64P21B-S120 | WG64P29B-S120 | WG64P21B-D120 | WG64P29B-D120 | WG64P21B-F120 | WG64P29B-F120 |
| 180 | 2.813 | WG64P21B-S180 | WG64P29B-S180 | WG64P21B-D180 | WG64P29B-D180 | WG64P21B-F180 | WG64P29B-F180 |
| 360 | 5.625 | WG64P21B-S360 | WG64P29B-S360 | WG64P21B-D360 | WG64P29B-D360 | WG64P21B-F360 | WG64P29B-F360 |
| # of Starts | | 1 | 1 | 2 | 2 | 4 | 4 |
| Circular Pitch | | 0.0491 | 0.0491 | 0.0982 | 0.0982 | 0.1964 | 0.1964 |
| Helix Angle | | 1° 47' | 1° 47' | 3° 35' | 3° 35' | 7° 11' | 7° 11' |
| Pressure Angle | | 14.5° | 14.5° | 14.5° | 14.5° | 14.5° | 14.5° |
| Bore (B) | | 0.1873 | 0.2498 | 0.1873 | 0.2498 | 0.1873 | 0.2498 |
| Hub Diameter (HD) | | 3/8 | 1/2 | 3/8 | 1/2 | 3/8 | 1/2 |