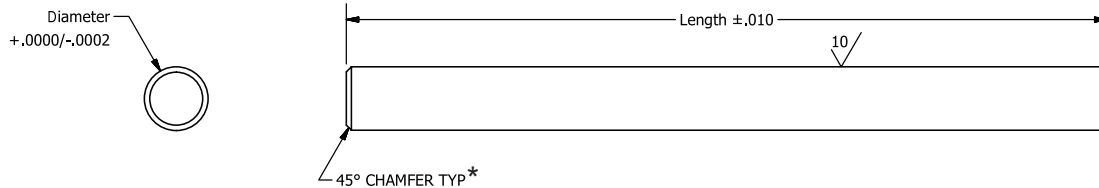
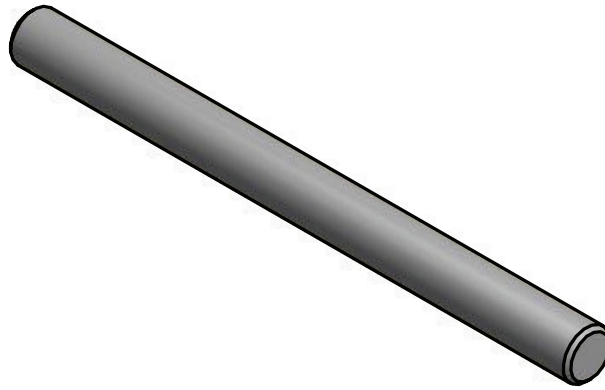


GT
INCH

Precision Ground Shafting

316 Stainless Steel



- + Precision ground 316 Stainless Steel
- + 12 Diameters .0312 to .3750
- + Lengths from 3" to 36"
- + Chamfered both ends*
- + Straightness .0004 in/in up to 1/4" diameter
- + Straightness .0006 in/in over 1/4" diameter
- + From stock delivery
- + Other materials available from stock: 303, 17-4 PH, 12L14
- + Special sizes and other materials are available, please ask
- + Customizing: grooves, journals, flats, drill holes, thread + tapped holes, chamfers, special diameters, special lengths

**GT
INCH**

Precision Ground Shafting

316 Stainless Steel

Straightness .0004in/in up to 1/4" Dia., .0006in/in over 1/4" Dia.
Surface Finish 10µin

Rockwell B75-90

*Chamfered both ends

Ref.	+.0000 / -.0002 Diameter	Part Number	+/- .010 Length
1/32"	0.0312	GT0312-30	3.00
		GT0312-40	4.00
		GT0312-50	5.00
		GT0312-60	6.00
		GT0312-70	7.00
		GT0312-80	8.00
		GT0312-90	9.00
		GT0312-100	10.00
		GT0312-120	12.00
		GT0312-180	18.00
3/64"	0.0468	GT0468-30	3.00
		GT0468-40	4.00
		GT0468-50	5.00
		GT0468-60	6.00
		GT0468-70	7.00
		GT0468-80	8.00
		GT0468-90	9.00
		GT0468-100	10.00
		GT0468-120	12.00
		GT0468-180	18.00
1/16"	0.0625	GT0625-30	3.00
		GT0625-40	4.00
		GT0625-50	5.00
		GT0625-60	6.00
		GT0625-70	7.00
		GT0625-80	8.00
		GT0625-90	9.00
		GT0625-100	10.00
		GT0625-120	12.00
		GT0625-180	18.00
		GT0625-240	24.00
		GT0625-300	30.00
		GT0625-360	36.00

*Chamfered 0.0937" diameter and larger,
Rough cut under 0.0937" diameter

Ref.	+.0000 / -.0002 Diameter	Part Number	+/- .010 Length
5/64"	0.0781	GT0781-30	3.00
		GT0781-40	4.00
		GT0781-50	5.00
		GT0781-60	6.00
		GT0781-70	7.00
		GT0781-80	8.00
		GT0781-90	9.00
		GT0781-100	10.00
		GT0781-120	12.00
		GT0781-180	18.00
3/32"	0.0937	GT0781-240	24.00
		GT0781-300	30.00
		GT0781-360	36.00
		GT0937-30	3.00
		GT0937-40	4.00
		GT0937-50	5.00
		GT0937-60	6.00
		GT0937-70	7.00
		GT0937-80	8.00
		GT0937-90	9.00
1/8"	0.1250	GT0937-100	10.00
		GT0937-120	12.00
		GT0937-180	18.00
		GT0937-240	24.00
		GT0937-300	30.00
		GT0937-360	36.00
		GT1250-30	3.00
		GT1250-40	4.00
		GT1250-50	5.00
		GT1250-60	6.00
GT1250-70	7.00		
GT1250-80	8.00		
GT1250-90	9.00		
GT1250-100	10.00		
GT1250-120	12.00		
GT1250-180	18.00		
GT1250-240	24.00		
GT1250-300	30.00		
GT1250-360	36.00		

**GT
INCH**

Precision Ground Shafting

316 Stainless Steel

Straightness .0004in/in up to 1/4" Dia., .0006in/in over 1/4" Dia.
Surface Finish 10µinRockwell B75-90
*Chamfered both ends

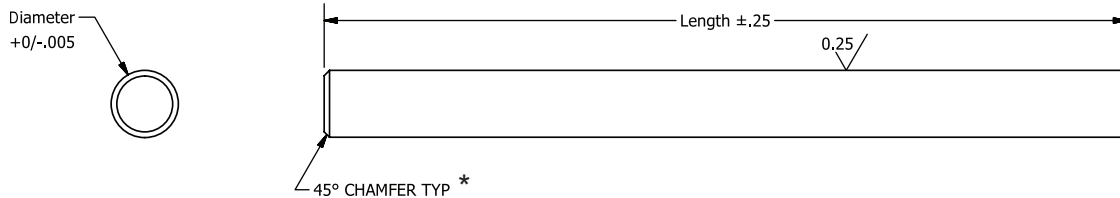
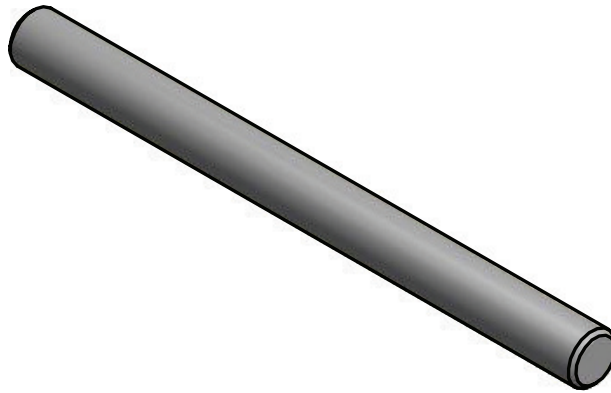
Ref.	+ .0000 / - .0002 Diameter	Part Number	+/- .010 Length
5/32"	0.1562	GT1562-30	3.00
		GT1562-40	4.00
		GT1562-50	5.00
		GT1562-60	6.00
		GT1562-70	7.00
		GT1562-80	8.00
		GT1562-90	9.00
		GT1562-100	10.00
		GT1562-120	12.00
		GT1562-180	18.00
		GT1562-240	24.00
		GT1562-300	30.00
		GT1562-360	36.00
3/16"	0.1875	GT1875-30	3.00
		GT1875-40	4.00
		GT1875-50	5.00
		GT1875-60	6.00
		GT1875-70	7.00
		GT1875-80	8.00
		GT1875-90	9.00
		GT1875-100	10.00
		GT1875-120	12.00
		GT1875-180	18.00
		GT1875-240	24.00
		GT1875-300	30.00
		GT1875-360	36.00
7/32"	0.2187	GT2187-30	3.00
		GT2187-40	4.00
		GT2187-50	5.00
		GT2187-60	6.00
		GT2187-70	7.00
		GT2187-80	8.00
		GT2187-90	9.00
		GT2187-100	10.00
		GT2187-120	12.00
		GT2187-180	18.00
		GT2187-240	24.00
		GT2187-300	30.00
		GT2187-360	36.00

Ref.	+ .0000 / - .0002 Diameter	Part Number	+/- .010 Length
1/4"	0.2500	GT2500-30	3.00
		GT2500-40	4.00
		GT2500-50	5.00
		GT2500-60	6.00
		GT2500-70	7.00
		GT2500-80	8.00
		GT2500-90	9.00
		GT2500-100	10.00
		GT2500-120	12.00
		GT2500-180	18.00
		GT2500-240	24.00
		GT2500-300	30.00
		GT2500-360	36.00
5/16"	0.3125	GT3125-30	3.00
		GT3125-40	4.00
		GT3125-50	5.00
		GT3125-60	6.00
		GT3125-70	7.00
		GT3125-80	8.00
		GT3125-90	9.00
		GT3125-100	10.00
		GT3125-120	12.00
		GT3125-180	18.00
		GT3125-240	24.00
		GT3125-300	30.00
		GT3125-360	36.00
3/8"	0.3750	GT3750-30	3.00
		GT3750-40	4.00
		GT3750-50	5.00
		GT3750-60	6.00
		GT3750-70	7.00
		GT3750-80	8.00
		GT3750-90	9.00
		GT3750-100	10.00
		GT3750-120	12.00
		GT3750-180	18.00
		GT3750-240	24.00
		GT3750-300	30.00
		GT3750-360	36.00

*Chamfered 0.0937" diameter and larger,
Rough cut under 0.0937" diameter

Precision Ground Shafting

316 Stainless Steel



- + Precision ground 316 Stainless Steel
- + 12 Diameters 1mm to 10mm
- + Lengths from 100mm to 800mm
- + Chamfered both ends *
- + Straightness 0004 mm/mm to 6mm diameter
- + Straightness 0006 mm/mm over 6mm diameter
- + From stock delivery
- + Other materials available from stock: 303, 17-4 PH, 12L14
- + Special sizes and other materials are available, please ask
- + Customizing: grooves, journals, flats, drill holes, thread + tapped holes, chamfers, special diameters, special lengths

Precision Ground Shafting

316 Stainless Steel

Straightness 0004mm/mm up to 6mm Dia.,
0006mm/mm over 6mm Dia.

Rockwell B75-90

Surface Finish .25µm

*Chamfered both ends

Ref.	+ .0000 / - .005 Diameter	Part Number	+/- 0.25 Length
1mm	1,000	GTM1000-200	200mm
		GTM1000-400	400mm
1,5mm	1,500	GTM1500-200	200mm
		GTM1500-400	400mm
2mm	2,000	GTM2000-200	200mm
		GTM2000-400	400mm
		GTM2000-600	600mm
		GTM2000-800	800mm
2,5mm	2,500	GTM2500-200	200mm
		GTM2500-400	400mm
		GTM2500-600	600mm
		GTM2500-800	800mm
3mm	3,000	GTM3000-200	200mm
		GTM3000-400	400mm
		GTM3000-600	600mm
		GTM3000-800	800mm
4mm	4,000	GTM4000-200	200mm
		GTM4000-400	400mm
		GTM4000-600	600mm
		GTM4000-800	800mm

Ref.	+ .0000 / - .005 Diameter	Part Number	+/- 0.25 Length
5mm	5,000	GTM5000-200	200mm
		GTM5000-400	400mm
		GTM5000-600	600mm
		GTM5000-800	800mm
6mm	6,000	GTM6000-200	200mm
		GTM6000-400	400mm
		GTM6000-600	600mm
		GTM6000-800	800mm
7mm	7,000	GTM7000-200	200mm
		GTM7000-400	400mm
		GTM7000-600	600mm
		GTM7000-800	800mm
8mm	8,000	GTM8000-200	200mm
		GTM8000-400	400mm
		GTM8000-600	600mm
		GTM8000-800	800mm
9mm	9,000	GTM9000-200	200mm
		GTM9000-400	400mm
		GTM9000-600	600mm
		GTM9000-800	800mm
10mm	10,000	GTM10000-200	200mm
		GTM10000-400	400mm
		GTM10000-600	600mm
		GTM10000-800	800mm

*Chamfered 2.5mm diameter and larger,
Rough cut under 2.5mm diameter