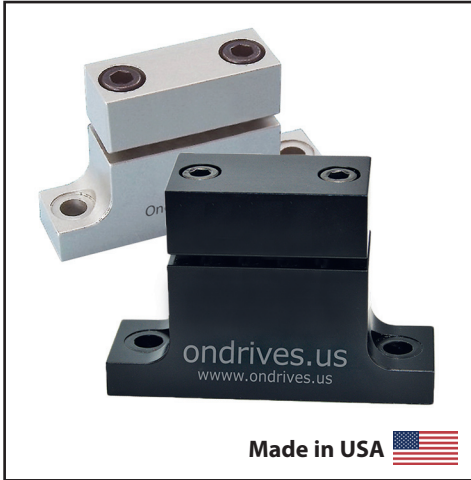


**SBLB
LPBB**

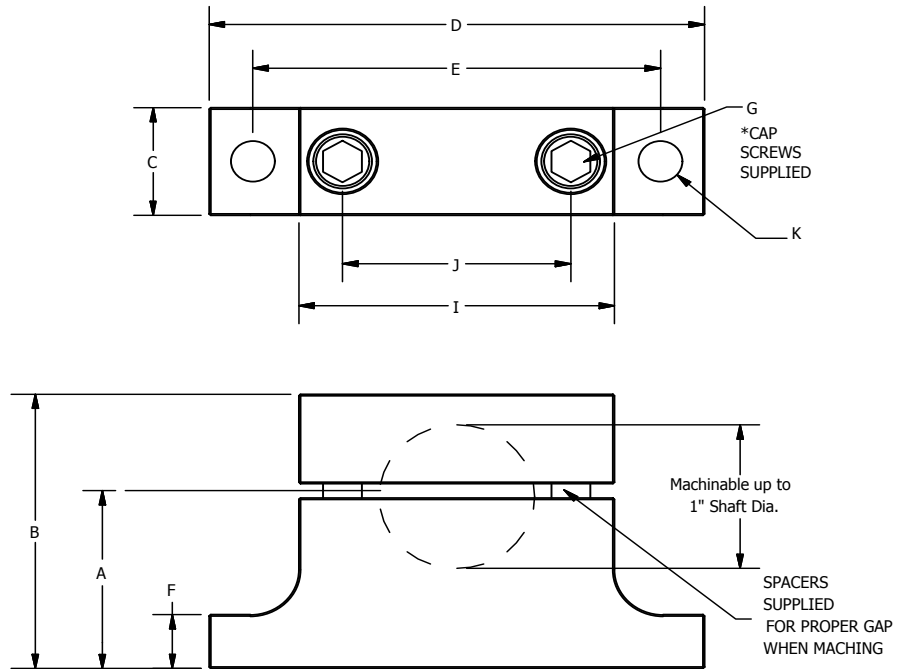
COMPONENTS

**SBLB
LPBB**

Easy-Access™ Shaft Support Machinable Blank Shaft Supports, Top Loading



The unique removable top design of this shaft support allows the user to easily remove the shafts, linear bearings and carriage without upsetting the position of the shaft support. This eliminates the need to reset the critical parallel alignment required in many linear shaft systems.



- Easily customizable
- Significant weight saving
- ROHS compliant

Part Number	A	B	C	D	E	F	G	I	J	K	Weight (lb)
LPBB-1.25CD	1.250	1.94	0.75	3.19	2.62	0.38	#1/4"-20	2.03	1.47	0.28	0.28
SBLB-1.50CD	1.500	2.19	1.00	3.25	2.500	0.38	#1/4"-20	1.94	1.34	0.28	0.42

Materials For LPBB:

Aluminum, Gray Anodized
Fasteners: Alloy Steel, Black Oxide

Materials for SBLB:

Aluminum, Black Anodized
Fasteners: Alloy Steel, Black Oxide

All dimensions are in inches.
Supports are supplied assembled as shown.
Smaller and larger sizes can be made upon special request.

Create a support that fits the exact dimensions of your shaft.

Good for use with square and hex profile shafts, these aluminum supports also work with round shafts of any diameter up to 1". Supports come with spacers between the two halves. For a snug fit, leave the spacers in place when machining, then remove before installing the shaft.

	Easy-Access™ Shaft Supports	Common Shaft Supports
Maintains alignment while servicing shafts and bearings	✓	✗
Light Weight	✓	✗
Parallel and perpendicular surfaces for easy alignment	✓	✗
Superior shaft holding strength	✓	✗