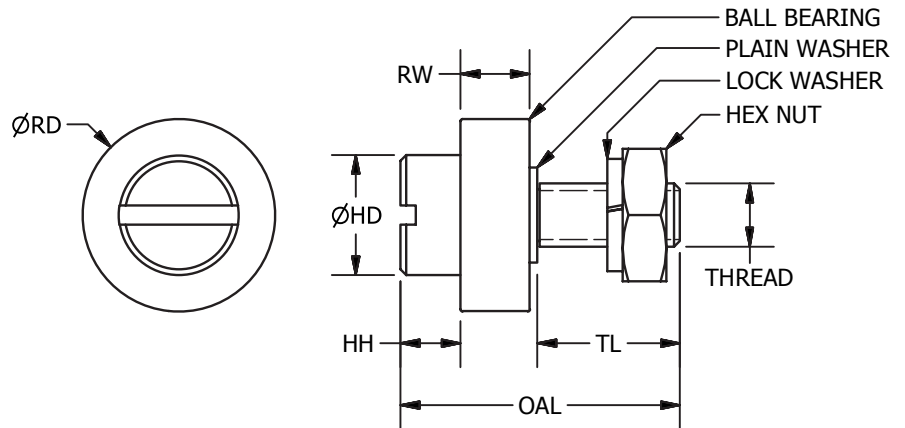


CF

COMPONENTS

Cam Followers - Ball Bearing

CF



Mounted on precision stainless steel shoulder screws, these ball bearings are shielded and filled with grease to reduce friction. Cost saving chrome ball bearings are available.

Part Number	RD	RW	HD	HH	TL	LG	Thread	Dynamic Load (lbs)	Static Load (lbs)
CF-21	1/4	.140	5/32	3/32	.25	.484	1-64	36	14
CF-32	1/4	.109	3/16	1/16	.29	.532	4-40	33	13
CF-23	1/4	.109	3/16	1/8	.25	.484	4-40	33	13
* CF-23A	1/4	.109	3/16	1/8	.25	.484	4-40	38	15
CF-22	5/16	.140	3/16	3/32	.25	.484	2-56	60	24
CF-31	5/16	.140	7/32	1/16	.25	.439	2-56	60	24
CF-30	5/16	.140	3/16	1/16	.25	.439	2-56	60	24
CF-24	5/16	.140	7/32	1/8	.31	.578	4-40	60	24
CF-33	3/8	.156	1/4	1/16	.32	.532	4-40	68	28
CF-25	3/8	.156	1/4	1/8	.31	.593	4-40	68	28
CF-34	1/2	.196	5/16	1/16	.44	.689	8-32	141	67
CF-26	1/2	.196	5/16	5/32	.37	.727	8-32	141	67
CF-27	5/8	.196	3/8	5/32	.50	.852	10-32	158	78
CF-35	5/8	.196	3/8	1/16	.52	.767	10-32	158	78
CF-36	7/8	.281	9/16	1/16	.68	1.017	1/4-20	356	176

Materials

Bearing - 440 Stainless Steel

Screw - 303 Stainless Steel

*Screw - 416 Stainless Steel Rc 26-32 (On CF-23A)

Hardware - 18-8 Stainless Steel

ondrives.us

☎ 1-888-260-7466

📄 516-771-6444

💻 sales@ondrivesus.com

🌐 www.ondrivesus.com