

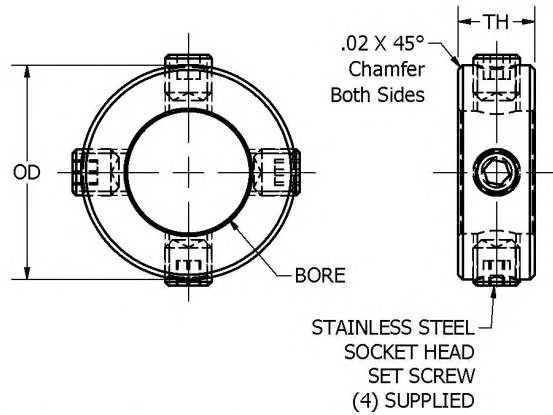
CR1

COMPONENTS

Precision Screw Type Shaft Collar

Inch and Metric versions

CR1



Tolerances

.XX ±.016

.XXX ±.005

BORE +.001

Suffix	Material	Finish
A	Aluminum 2024-T351	Chromic Acid Anodize
S	Stainless Steel 303	Clear Passivate

Part Number	Suffix	Bore	OD	TH	Screw
CR1-1012.0995	S	.0995	.312	.125	2-56
CR1-1012.1181	S	3mm	.312	.125	2-56
CR1-1012.1255	S	.1255	.312	.125	2-56
CR1-1213.1880	S	.1880	.375	.130	4-40
CR1-1213.1969	S	5mm	.375	.130	4-40
CR1-1225.1255	A S	.1255	.375	.250	4-40
CR1-1225.1575	A S	4mm	.375	.250	4-40
CR1-1225.1811	A S	4.6mm	.375	.250	4-40
CR1-1225.1880	A S	.1880	.375	.250	4-40
CR1-1225.1969	A S	5mm	.375	.250	4-40
CR1-1625.2505	A S	.2505	.500	.250	6-32
CR1-1625.2598	A S	6.6mm	.500	.250	6-32
CR1-1625.2756	A S	7mm	.500	.250	6-32
CR1-1625.3130	A S	.3130	.500	.250	6-32
CR1-1625.3150	A S	8mm	.500	.250	6-32
CR1-1625.3386	A S	8.6mm	.500	.250	6-32
CR1-2431.3750	A S	.3750	.750	.312	10-32
CR1-2431.3937	A S	10mm	.750	.312	10-32
CR1-2431.4370	A S	.4370	.750	.312	10-32
CR1-2431.4567	A S	11.6mm	.750	.312	10-32
CR1-2431.4724	A S	12mm	.750	.312	10-32
CR1-2831.5000	A S	.5000	.875	.312	10-32
CR1-2831.5118	A S	13mm	.875	.312	10-32
CR1-2831.5354	A S	13.6mm	.875	.312	10-32
CR1-2831.5620	A S	.5620	.875	.312	10-32
CR1-2831.5906	A S	15mm	.875	.312	10-32
CR1-2831.6250	A S	.6250	.875	.312	10-32
CR1-2831.6299	A S	16mm	.875	.312	10-32