

CR2

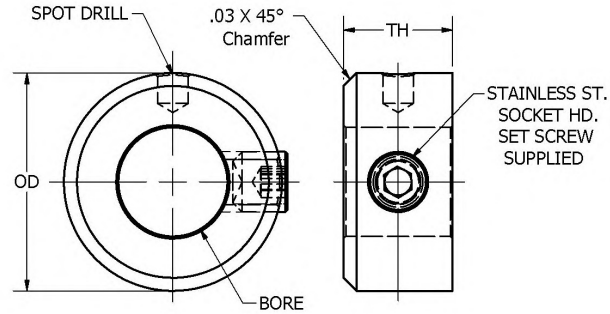
COMPONENTS

Precision Set Screw Shaft Collars

Bold Tolerance +.0005

Inch and Metric versions

CR2



Tolerances

.XX ±.016

.XXX ±.005

BORE +.0005

Material

Stainless Steel 303

Finish

Clear Passivate

Part Number	Bore	OD	TH	Spot	Screw
CR2-0712.0779S	.0779	.218	.120	.015	0-80
CR2-0712.0785S	1.995mm	.218	.120	.015	0-80
CR2-0812.0935S	.0935	.250	.120	.015	0-80
CR2-1018.1179S	2.995mm	.312	.180	.028	2-56
CR2-1018.1182S	3.003mm	.312	.180	.028	2-56
CR2-1018.1200S	.1200	.312	.180	.028	2-56
CR2-1018.1248S	.1248	.312	.180	.028	2-56
CR2-1018.1560S	.1560	.312	.180	.028	2-56
CR2-1018.1573S	3.995mm	.312	.180	.028	2-56
CR2-1018.1576S	4.003mm	.312	.180	.028	2-56
CR2-1222.1873S	.1873	.375	.220	.040	4-40
CR2-1222.1967S	4.995mm	.375	.220	.040	4-40
CR2-1222.1970S	5.003mm	.375	.220	.040	4-40
CR2-1625.2360S	5.995mm	.500	.250	.070	6-32
CR2-1625.2363S	6.003mm	.500	.250	.070	6-32
CR2-1625.2405S	.2405	.500	.250	.070	6-32
CR2-1625.2498S	.2498	.500	.250	.070	6-32
CR2-1625.2757S	7.003mm	.500	.250	.070	6-32
CR2-1828.3123S	.3123	.562	.280	.070	6-32
CR2-1828.3148S	7.995mm	.562	.280	.070	6-32
CR2-1828.3151S	8.003mm	.562	.280	.070	6-32
CR2-2437.3748S	.3748	.750	.375	.120	10-32
CR2-2437.3935S	9.995mm	.750	.375	.120	10-32
CR2-2437.3938S	10.003mm	.750	.375	.120	10-32
CR2-3250.4722S	11.995mm	1.000	.500	.149	1/4-20
CR2-3250.4726S	12.003mm	1.000	.500	.149	1/4-20
CR2-3250.4998S	.4998	1.000	.500	.149	1/4-20
CR2-3250.5510S	13.995mm	1.000	.500	.149	1/4-20
CR2-3250.5623S	.5623	1.000	.500	.149	1/4-20
CR2-3250.5904S	14.995mm	1.000	.500	.149	1/4-20
CR2-3250.6248S	.6248	1.000	.500	.149	1/4-20
CR2-3250.6297S	15.995mm	1.000	.500	.149	1/4-20

ondrives.us

☎ 1-888-260-7466

📄 516-771-6444

💻 sales@ondrivesus.com

🌐 www.ondrivesus.com

CR3

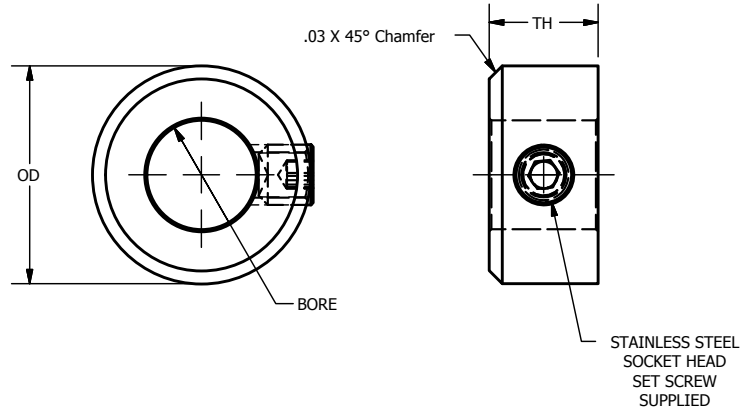
COMPONENTS

Set Screw Shaft Collars

Bore Tolerance $+0.001$ to $+0.003$

Inch and Metric versions

CR3



Tolerances

.XX ± 0.016

.XXX ± 0.005

Material

Stainless Steel 303

Finish

Clear Passivate

Part Number	Bore	Bore Tol	OD	TH	Screw
CR3-0712.079S	2mm	+0.001	.220	.12	0-80
CR3-0812.094S	.094	+0.001	.250	.12	0-80
CR3-1018.118S	3mm	+0.001	.312	.18	2-56
CR3-1018.120S	.120	+0.001	.312	.18	2-56
CR3-1018.125S	.125	+0.001	.312	.18	2-56
CR3-1018.156S	.156	+0.001	.312	.18	2-56
CR3-1018.157S	4mm	+0.001	.312	.18	2-56
CR3-1222.187S	.187	+0.002	.375	.22	4-40
CR3-1222.197S	5mm	+0.002	.375	.22	4-40
CR3-1225.125S	.125	+0.002	.375	.25	4-40
CR3-1625.236S	6mm	+0.002	.500	.25	6-32
CR3-1625.250S	.250	+0.002	.500	.25	6-32
CR3-1828.313S	.313	+0.002	.562	.28	6-32
CR3-1828.315S	8mm	+0.002	.562	.28	6-32
CR3-2437.375S	.375	+0.002	.750	.37	10-32
CR3-2437.394S	10mm	+0.002	.750	.37	10-32
CR3-2843.438S	.438	+0.002	.875	.43	1/4-20
CR3-2843.472S	12mm	+0.002	.875	.43	1/4-20
CR3-3250.500S	.500	+0.002	1.000	.50	1/4-20
CR3-3250.551S	14mm	+0.002	1.000	.50	1/4-20
CR3-3250.563S	.563	+0.002	1.000	.50	1/4-20
CR3-3250.591S	15mm	+0.002	1.000	.50	1/4-20

Part Number	Bore	Bore Tol	OD	TH	Screw
CR3-3650.625S	.625	+0.002	1.125	.50	1/4-20
CR3-3650.630S	16mm	+0.002	1.125	.50	1/4-20
CR3-3650.669S	17mm	+0.002	1.125	.50	1/4-20
CR3-4056.668S	.688	+0.002	1.250	.56	5/16-18
CR3-4056.750S	.750	+0.002	1.250	.56	5/16-18
CR3-4056.787S	20mm	+0.002	1.250	.56	5/16-18
CR3-4856.875S	.875	+0.002	1.500	.56	5/16-18
CR3-5262.938S	.938	+0.002	1.625	.62	5/16-18
CR3-5262.984S	25mm	+0.002	1.625	.62	5/16-18
CR3-5262.1000S	1.000	+0.003	1.625	.62	5/16-18
CR3-5662.125S	1.125	+0.003	1.750	.62	5/16-18
CR3-5662.181S	30mm	+0.003	1.750	.62	5/16-18
CR3-5662.188S	1.188	+0.003	1.750	.62	5/16-18
CR3-6469.1250S	1.250	+0.003	2.000	.69	3/8-16
CR3-6469.1313S	1.313	+0.003	2.000	.69	3/8-16
CR3-7275.1375S	1.375	+0.003	2.250	.75	3/8-16
CR3-7275.1378S	35mm	+0.003	2.250	.75	3/8-16
CR3-7275.1500S	1.500	+0.003	2.250	.75	3/8-16
CR3-7275.1563S	1.563	+0.003	2.250	.75	3/8-16
CR3-7275.1575S	40mm	+0.003	2.250	.75	3/8-16
CR3-8887.1750S	1.750	+0.003	2.750	.87	3/8-16
CR3-8887.1772S	45mm	+0.003	2.750	.87	3/8-16
CR3-9687.1969S	50mm	+0.003	3.000	.87	3/8-16
CR3-9687.2000S	2.000	+0.003	3.000	.87	3/8-16
CR3-9687.2125S	2.125	+0.003	3.000	.87	3/8-16
CR3-9687.2165S	55mm	+0.003	3.000	.87	3/8-16
CR3-9687.2188S	2.188	+0.003	3.000	.87	3/8-16
CR3-9687.2250S	2.250	+0.003	3.000	.87	3/8-16
CR3-9687.2362S	60mm	+0.003	3.000	.87	3/8-16
CR3-9687.2375S	2.375	+0.003	3.000	.87	3/8-16

ondrives.us

☎ 1-888-260-7466

📄 516-771-6444

💻 sales@ondrivesus.com

🌐 www.ondrivesus.com