

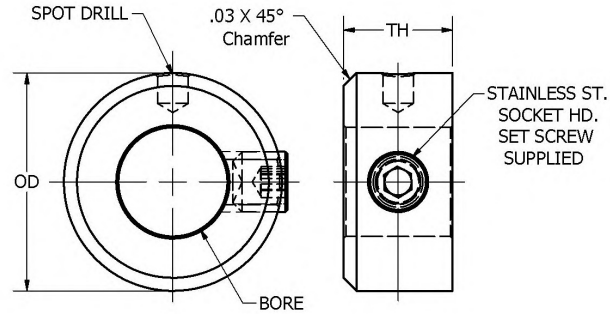
CR2

COMPONENTS

Precision Screw Type Shaft Collar

Inch and Metric versions

CR2



Tolerances

.XX ±.016

.XXX ±.005

BORE +.0005

Material

Stainless Steel 303

Finish

Clear Passivate

Part Number	Bore	OD	TH	Spot	Screw
CR2-0712.0779 S	.0779	.218	.120	.015	0-80
CR2-0712.0785 S	1.995mm	.218	.120	.015	0-80
CR2-0812.0935 S	.0935	.250	.120	.015	0-80
CR2-1018.1179 S	2.995mm	.312	.180	.028	2-56
CR2-1018.1182 S	3.003mm	.312	.180	.028	2-56
CR2-1018.1200 S	.1200	.312	.180	.028	2-56
CR2-1018.1248 S	.1248	.312	.180	.028	2-56
CR2-1018.1560 S	.1560	.312	.180	.028	2-56
CR2-1018.1573 S	3.995mm	.312	.180	.028	2-56
CR2-1018.1576 S	4.003mm	.312	.180	.028	2-56
CR2-1222.1873 S	.1873	.375	.220	.040	4-40
CR2-1222.1967 S	4.995mm	.375	.220	.040	4-40
CR2-1222.1970 S	5.003mm	.375	.220	.040	4-40
CR2-1625.2360 S	5.995mm	.500	.250	.070	6-32
CR2-1625.2363 S	6.003mm	.500	.250	.070	6-32
CR2-1625.2405 S	.2405	.500	.250	.070	6-32
CR2-1625.2498 S	.2498	.500	.250	.070	6-32
CR2-1625.2757 S	7.003mm	.500	.250	.070	6-32
CR2-1828.3123 S	.3123	.562	.280	.070	6-32
CR2-1828.3148 S	7.995mm	.562	.280	.070	6-32
CR2-1828.3151 S	8.003mm	.562	.280	.070	6-32
CR2-2437.3748 S	.3748	.750	.375	.120	10-32
CR2-2437.3935 S	9.995mm	.750	.375	.120	10-32
CR2-2437.3938 S	10.003mm	.750	.375	.120	10-32
CR2-3250.4722 S	11.995mm	1.000	.500	.149	1/4-20
CR2-3250.4726 S	12.003mm	1.000	.500	.149	1/4-20
CR2-3250.4998 S	.4998	1.000	.500	.149	1/4-20
CR2-3250.5510 S	13.995mm	1.000	.500	.149	1/4-20
CR2-3250.5623 S	.5623	1.000	.500	.149	1/4-20
CR2-3250.5904 S	14.995mm	1.000	.500	.149	1/4-20
CR2-3250.6248 S	.6248	1.000	.500	.149	1/4-20
CR2-3250.6297 S	15.995mm	1.000	.500	.149	1/4-20

ondrives.us

☎ 1-888-260-7466

💻 sales@ondrivesus.com

📄 516-771-6444

🌐 www.ondrivesus.com