

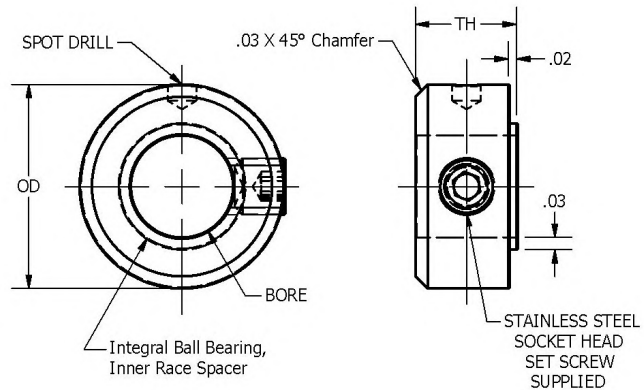
CR5

COMPONENTS

CR5

Precision Screw Type Shaft Collar Integral Ball Bearing Inner Race Spacer

Inch and Metric versions



Tolerances

.XX ±.016

.XXX ±.005

BORE +.0005

Material

Stainless Steel 303

Finish

Clear Passivate

Part Number	Bore	OD	TH	Spot	Screw
CR5-0712.0779S	.0779	.218	.120	.015	0-80
CR5-0812.0935S	.0935	.250	.120	.015	0-80
CR5-1018.1182S	3.003mm	.313	.180	.028	2-56
CR5-1018.1200S	.1200	.313	.180	.028	2-56
CR5-1018.1248S	.1248	.313	.180	.028	2-56
CR5-1018.1560S	.1560	.313	.180	.028	2-56
CR5-1018.1576S	4.003mm	.313	.180	.028	2-56
CR5-1222.1873S	.1873	.375	.220	.040	4-40
CR5-1222.1970S	5.003mm	.375	.220	.040	4-40
CR5-1625.2363S	6.003mm	.50	.25	.070	6-32
CR5-1625.2405S	.2405	.50	.25	.070	6-32
CR5-1625.2498S	.2498	.50	.25	.070	6-32
CR5-1625.2757S	7.003mm	.50	.25	.070	6-32
CR5-1828.3123S	.3123	.56	.280	.070	6-32
CR5-1828.3151S	8.003mm	.56	.280	.070	6-32
CR5-2437.3748S	.3748	.75	.375	.120	10-32
CR5-2437.3938S	10.003mm	.75	.375	.120	10-32
CR5-3243.4726S	12.003mm	1.00	.437	.149	1/4-20
CR5-3243.4998S	.4998	1.00	.437	.149	1/4-20
CR5-4050.5904S	14.995mm	1.25	.500	.149	1/4-20
CR5-4050.6248S	.6248	1.25	.500	.149	1/4-20
CR5-4050.6300S	16.003mm	1.25	.500	.149	1/4-20
CR5-4856.7481S	19.003mm	1.50	.562	.157	3/8-16
CR5-4856.7498S	.7498	1.50	.562	.157	3/8-16
CR5-4856.7872S	19.995mm	1.50	.562	.157	3/8-16
CR5-6462.9998S	.9998	2.00	.625	.157	3/8-16