

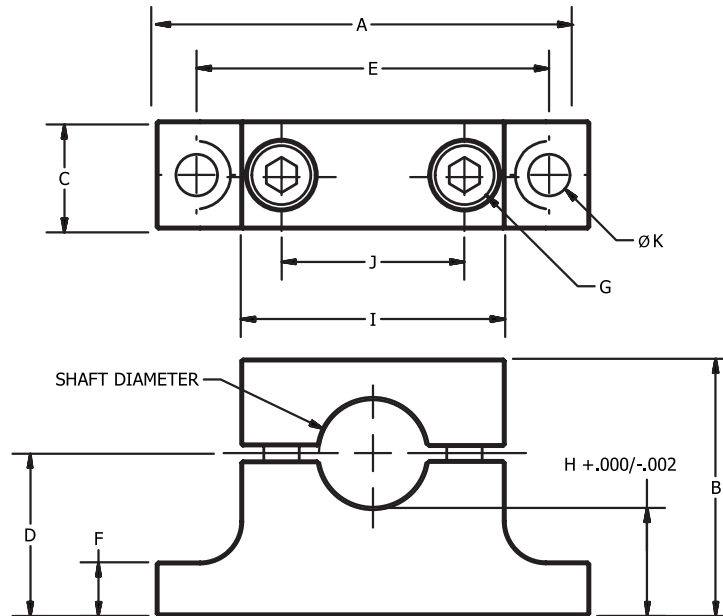
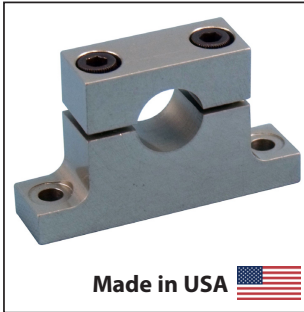
LPB

COMPONENTS

Easy-Access™ Shaft Supports

Low Profile, Top Loading

LPB



All dimensions are in inches

| Part Number | Shaft Dia. | A | B | C | D | E | F | G | H | I | J | K | Weight (lb) |
|--------------|------------|------|------|------|-------|------|------|-----------|-------|------|------|------|-------------|
| LPB-02 | 0.125 | 1.06 | 0.53 | 0.31 | 0.313 | 0.81 | 0.16 | #4-40 | 0.25 | 0.59 | 0.28 | 0.14 | 0.03 |
| LPB-03 | 0.1875 | 1.19 | 0.59 | 0.31 | 0.343 | 0.94 | 0.16 | #4-40 | 0.25 | 0.69 | 0.38 | 0.14 | 0.04 |
| LPB-04 | 0.250 | 1.63 | 0.87 | 0.38 | 0.562 | 1.25 | 0.19 | #6-32 | 0.437 | 0.91 | 0.56 | 0.16 | 0.03 |
| LPB-06 | 0.375 | 1.75 | 1.00 | 0.38 | 0.625 | 1.38 | 0.19 | #6-32 | 0.437 | 1.03 | 0.69 | 0.16 | 0.04 |
| LPB-08 | 0.500 | 2.00 | 1.19 | 0.50 | 0.750 | 1.63 | 0.25 | #8-32 | 0.500 | 1.22 | 0.84 | 0.19 | 0.07 |
| LPB-10 | 0.625 | 2.63 | 1.44 | 0.50 | 0.938 | 2.12 | 0.28 | #10-24 | 0.625 | 1.53 | 1.03 | 0.22 | 0.11 |
| LPB-12 | 0.750 | 2.75 | 1.56 | 0.50 | 1.000 | 2.25 | 0.31 | #10-24 | 0.625 | 1.66 | 1.16 | 0.22 | 0.12 |
| LPB-16 | 1.000 | 3.19 | 1.94 | 0.75 | 1.250 | 2.62 | 0.38 | #1/4"-20 | 0.750 | 2.03 | 1.47 | 0.28 | 0.26 |
| LPB-20 | 1.250 | 3.75 | 2.31 | 0.75 | 1.500 | 3.12 | 0.44 | #5/16"-18 | 0.875 | 2.47 | 1.81 | 0.34 | 0.38 |
| LPB-24 | 1.500 | 4.00 | 2.69 | 0.75 | 1.750 | 3.37 | 0.50 | #5/16"-18 | 1.000 | 2.72 | 2.06 | 0.34 | 0.45 |
| LPB-32 | 2.000 | 5.00 | 3.31 | 1.25 | 2.125 | 4.25 | 0.63 | #3/8"-16 | 1.125 | 3.41 | 2.66 | 0.41 | 1.11 |
| *LPBB-1.25CD | BLANK | 3.19 | 1.94 | 0.75 | 1.25 | 2.62 | 0.38 | #1/4"-20 | --- | 2.03 | 1.47 | 0.28 | 0.28 |

*User machinable for hex or square profiles or any diameter up to 1"

Materials: Aluminum, Clear Anodized
Fasteners: Alloy Steel, Black Oxide

Lowest profile available
Easy to customize

Significant weight saving
ROHS compliant

The unique removable top design of this shaft support allows the user to easily remove the shafts, linear bearings and carriage without upsetting the position of the shaft support. This eliminates the need to reset the critical parallel alignment required in many linear shaft systems.

Available shaft diameters from 1/8" to 2"

Maintains alignment while servicing shafts and bearings

Customs available (bore size, bore shape, material)

Light Weight

Parallel and perpendicular surfaces for easy alignment

Superior shaft holding strength

Available in Low Profile and Standard footprint sizes

Lowest base to shaft height available

| Easy-Access™ Shaft Supports | Common Shaft Supports |
|-----------------------------|-----------------------|
| ✓ | ✓ |
| ✓ | ✗ |
| ✓ | ✗ |
| ✓ | ✗ |
| ✓ | ✗ |
| ✓ | ✗ |
| ✓ | ✗ |
| ✓ | ✗ |

ondrives.us

1-888-260-7466
 516-771-6444

sales@ondrivesus.com
 www.ondrivesus.com

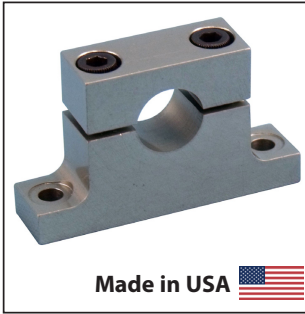
LPB-M

COMPONENTS

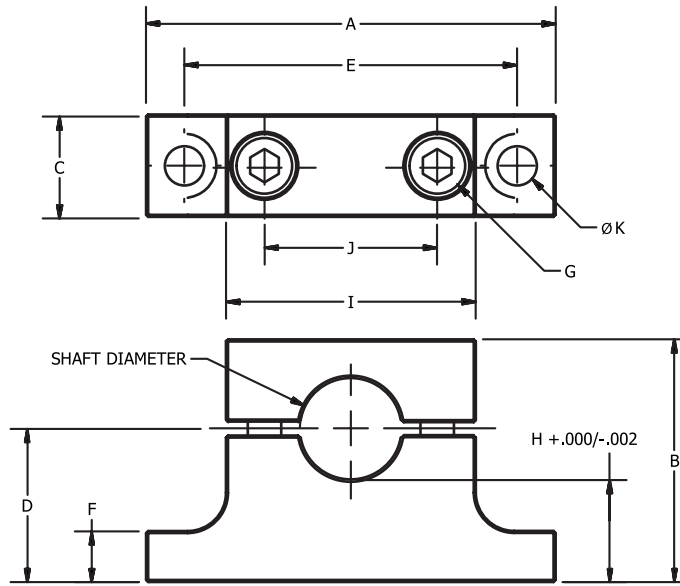
Easy-Access™ Shaft Supports

Low Profile, Top Loading

LPB-M



Made in USA 



All dimensions are in millimeters

| Part Number | Shaft Dia. | A | B | C | D | E | F | G | H | I | J | K | Weight (lb) |
|--------------|------------|-----|------|----|------|------|-----|----------|------|------|------|-----|-------------|
| LPB-03M | 3 | 21 | 10 | 6 | 6 | 17 | 3 | M2 | 4 | 12 | 6 | 2 | 0.03 |
| LPB-04M | 4 | 24 | 13 | 6 | 7 | 20 | 3 | M2 | 5 | 14 | 8 | 2 | 0.04 |
| LPB-05M | 5 | 36 | 18 | 8 | 10 | 30 | 4 | M3 | 7 | 20 | 12 | 3 | 0.03 |
| LPB-06M | 6 | 42 | 20 | 10 | 11 | 34 | 4 | M4 | 8 | 24 | 14 | 5 | 0.04 |
| LPB-08M | 8 | 44 | 21 | 10 | 12 | 35 | 4.5 | M4 | 8.0 | 26 | 16 | 4.5 | 0.07 |
| LPB-10M | 10 | 46 | 25 | 12 | 14 | 38 | 5 | M4 | 9.0 | 28 | 18 | 4.5 | 0.11 |
| LPB-12M | 12 | 48 | 25 | 12 | 14 | 40 | 5 | M4 | 8.0 | 30 | 20 | 4.5 | 0.12 |
| LPB-16M | 16 | 62 | 31 | 13 | 18 | 50 | 6 | M5 | 10.0 | 38 | 26 | 5.5 | 0.26 |
| LPB-20M | 20 | 65 | 36 | 13 | 22 | 54 | 8 | M5 | 12.0 | 42 | 30 | 5.5 | 0.38 |
| LPB-25M | 25 | 80 | 44 | 19 | 27 | 66 | 8 | M6 | 14.5 | 52 | 38 | 6.6 | 0.45 |
| LPB-30M | 30 | 96 | 52 | 19 | 32 | 78 | 10 | M8 | 17.0 | 62 | 44 | 9 | 1.11 |
| LPB-35M | 35 | 100 | 60 | 19 | 34 | 84 | 10 | M8 | 16.5 | 68 | 50 | 9 | 0.28 |
| LPB-40M | 40 | 108 | 66 | 19 | 40 | 90 | 12 | M8 | 20.0 | 72 | 55 | 9 | 0.45 |
| LPB-50M | 50 | 120 | 75 | 25 | 45 | 100 | 12 | M8 | 20.0 | 80 | 63 | 9 | 1.11 |
| *LPBB-1.25CD | BLANK | 81 | 49.3 | 19 | 31.7 | 66.5 | 9.6 | #1/4"-20 | --- | 51.6 | 37.3 | 7 | 0.28 |

*User machinable for hex or square profiles or any diameter up to 25mm

Materials: Aluminum, Clear Anodized
Fasteners: Alloy Steel, Black Oxide

Lowest profile available
Easy to customize

Significant weight saving
ROHS compliant

The unique removable top design of this shaft support allows the user to easily remove the shafts, linear bearings and carriage without upsetting the position of the shaft support. This eliminates the need to reset the critical parallel alignment required in many linear shaft systems.

| Easy-Access™ Shaft Supports | Common Shaft Supports |
|-----------------------------|-----------------------|
|-----------------------------|-----------------------|

| | | |
|---------------------------------------------------------|---|---|
| Available shaft diameters from 3mm to 50mm | ✓ | ✓ |
| Maintains alignment while servicing shafts and bearings | ✓ | ✗ |
| Customs available (bore size, bore shape, material) | ✓ | ✗ |
| Light Weight | ✓ | ✗ |
| Parallel and perpendicular surfaces for easy alignment | ✓ | ✗ |
| Superior shaft holding strength | ✓ | ✗ |
| Available in Low Profile and Standard footprint sizes | ✓ | ✗ |
| Lowest base to shaft height available | ✓ | ✗ |

ondrives.us

1-888-260-7466
 516-771-6444

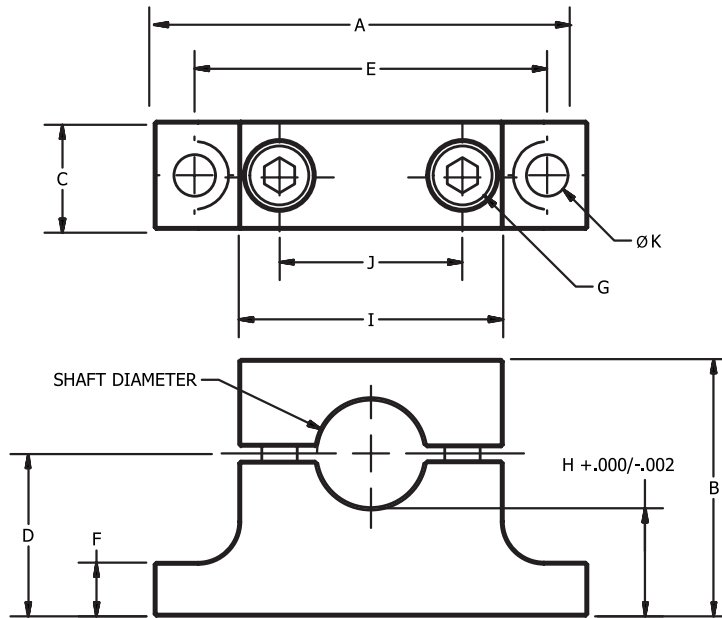
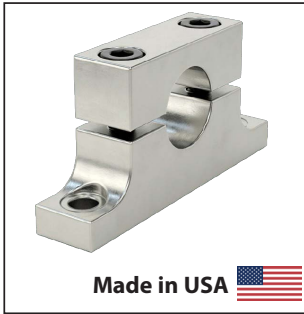
sales@ondrivesus.com
 www.ondrivesus.com

LPBS

COMPONENTS

LPBS

Easy-Access™ 304 Stainless Steel Shaft Supports Low Profile, Top Loading



All dimensions are in inches.

| Part Number | Shaft Dia. | A | B | C | D | E | F | G | H | I | J | K | Weight (lb) |
|-------------|------------|------|------|------|-------|------|------|------|-------|------|------|------|-------------|
| LPBS-04 | 0.250 | 1.63 | 0.87 | 0.38 | 0.562 | 1.25 | 0.19 | #6 | 0.437 | 0.91 | 0.56 | 0.16 | 0.084 |
| LPBS-06 | 0.375 | 1.75 | 1.00 | 0.38 | 0.625 | 1.38 | 0.19 | #6 | 0.437 | 1.03 | 0.69 | 0.16 | 0.101 |
| LPBS-08 | 0.500 | 2.00 | 1.19 | 0.50 | 0.750 | 1.63 | 0.25 | #8 | 0.500 | 1.22 | 0.84 | 0.19 | 0.184 |
| LPBS-10 | 0.625 | 2.63 | 1.44 | 0.50 | 0.938 | 2.12 | 0.28 | #10 | 0.625 | 1.53 | 1.03 | 0.22 | 0.280 |
| LPBS-12 | 0.750 | 2.75 | 1.56 | 0.50 | 1.000 | 2.25 | 0.31 | #10 | 0.625 | 1.66 | 1.16 | 0.22 | 0.318 |
| LPBS-16 | 1.000 | 3.19 | 1.94 | 0.75 | 1.250 | 2.62 | 0.38 | 1/4 | 0.750 | 2.03 | 1.47 | 0.28 | 0.691 |
| LPBS-20 | 1.250 | 3.75 | 2.31 | 0.75 | 1.500 | 3.12 | 0.44 | 5/16 | 0.875 | 2.47 | 1.81 | 0.34 | 0.942 |
| LPBS-24 | 1.500 | 4.00 | 2.69 | 0.75 | 1.750 | 3.37 | 0.50 | 5/16 | 1.000 | 2.72 | 2.06 | 0.34 | 1.165 |
| LPBS-32 | 2.000 | 5.00 | 3.31 | 1.25 | 2.125 | 4.25 | 0.63 | 3/8 | 1.125 | 3.41 | 2.66 | 0.41 | 2.942 |

Materials: 304 Stainless Steel
Fasteners: 18-8 Stainless Steel

Lowest profile available
Easily customizable

ROHS compliant

The unique removable top design of this shaft support allows the user to easily remove the shafts, linear bearings and carriage without upsetting the position of the shaft support. This eliminates the need to reset the critical parallel alignment required in many linear shaft systems.

| | Easy-Access™ Shaft Supports | Common Shaft Supports |
|--|-----------------------------|-----------------------|
|--|-----------------------------|-----------------------|

| | | |
|---------------------------------------------------------|---|---|
| Available shaft diameters from 1/4" to 2" | ✓ | ✓ |
| Maintains alignment while servicing shafts and bearings | ✓ | ✗ |
| Customs available (bore size, bore shape, material) | ✓ | ✗ |
| Parallel and perpendicular surfaces for easy alignment | ✓ | ✗ |
| Superior shaft holding strength | ✓ | ✗ |
| Lowest base to shaft height available | ✓ | ✗ |

ondrives.us

1-888-260-7466
516-771-6444

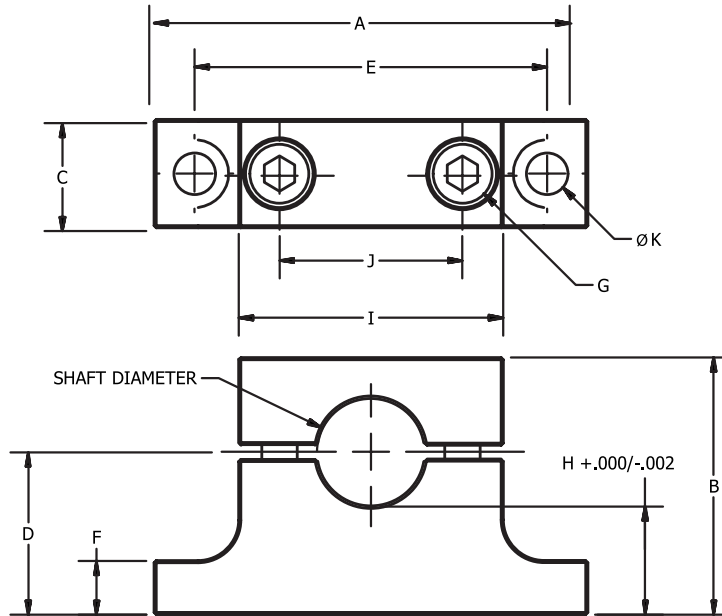
sales@ondrivesus.com
www.ondrivesus.com

LPBS-M

COMPONENTS

LPBS-M

Easy-Access™ 304 Stainless Steel Shaft Supports Low Profile, Top Loading



All dimensions are in millimeters

| Part Number | Shaft Dia. | A | B | C | D | E | F | G | H | I | J | K | Weight (lb) |
|-------------|------------|-----|----|----|----|----|----|----|------|----|----|-----|-------------|
| LPBS-08M | 8 | 44 | 21 | 10 | 12 | 35 | 5 | M4 | 8.0 | 26 | 16 | 4.5 | 0.084 |
| LPBS-10M | 10 | 46 | 25 | 12 | 14 | 38 | 5 | M4 | 9.0 | 28 | 18 | 4.5 | 0.130 |
| LPBS-12M | 12 | 48 | 25 | 12 | 14 | 40 | 5 | M4 | 8.0 | 30 | 20 | 4.5 | 0.133 |
| LPBS-16M | 16 | 62 | 31 | 13 | 18 | 50 | 6 | M5 | 10.0 | 38 | 26 | 5.5 | 0.224 |
| LPBS-20M | 20 | 65 | 36 | 13 | 22 | 54 | 8 | M5 | 12.0 | 42 | 30 | 5.5 | 0.278 |
| LPBS-25M | 25 | 80 | 44 | 19 | 27 | 66 | 8 | M6 | 14.5 | 52 | 38 | 6.6 | 0.606 |
| LPBS-30M | 30 | 96 | 52 | 19 | 32 | 78 | 10 | M8 | 17.0 | 62 | 44 | 9 | 0.801 |
| LPBS-40M | 40 | 108 | 66 | 19 | 40 | 90 | 12 | M8 | 20.0 | 72 | 55 | 9 | 1.122 |

Materials: 304 Stainless Steel
Fasteners: 18-8 Stainless Steel

Lowest profile available
Easily customizable

ROHS compliant

The unique removable top design of this shaft support allows the user to easily remove the shafts, linear bearings and carriage without upsetting the position of the shaft support. This eliminates the need to reset the critical parallel alignment required in many linear shaft systems.

| | Easy-Access™ Shaft Supports | Common Shaft Supports |
|---------------------------------------------------------|-----------------------------|-----------------------|
| Available shaft diameters from 8mm to 40mm | ✓ | ✓ |
| Maintains alignment while servicing shafts and bearings | ✓ | ✗ |
| Customs available (bore size, bore shape, material) | ✓ | ✗ |
| Parallel and perpendicular surfaces for easy alignment | ✓ | ✗ |
| Superior shaft holding strength | ✓ | ✗ |
| Lowest base to shaft height available | ✓ | ✗ |