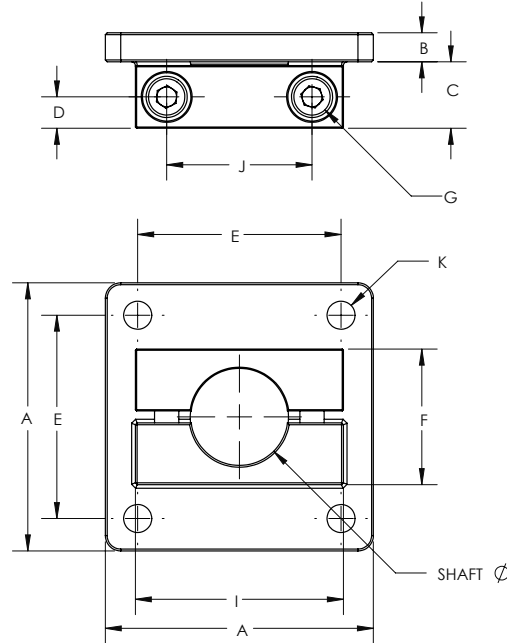


LPH-M

COMPONENTS

Easy-Access™ Aluminum Shaft Supports Flange Mount, Top Loading

LPH-M



All dimensions are in millimeters

Part Number	Shaft Dia.	A	B	C	D	E	F	G	I	J	K	Weight (lb)
LPH-08M	8mm	36	5	11	5	28	18	M4X0.7	26	16	5	0.056
LPH-10M	10mm	43	6	13	6	32	22	M4X0.7	28	18	5	0.092
LPH-12M	12mm	43	6	13	6	32	22	M4X0.7	30	20	5	0.092
LPH-16M	16mm	55	6	14	7	42	26	M5X0.8	39	26	6	0.153
LPH-20M	20mm	55	8	14	7	42	28	M5X0.8	43	30	6	0.153
LPH-25M	25mm	68	8	20	10	54	34	M6X1.0	52	38	7	0.317
LPH-30M	30mm	87	8	20	10	64	40	M8X1.25	62	44	10	0.479
LPH-40M	40mm	100	10	20	10	75	52	M8X1.25	72	55	10	0.737

Materials: Aluminum, Clear Anodized
Fasteners: Alloy Steel, Black Oxide

Lowest profile available
Easy to customize

Significant weight saving
ROHS compliant

The unique removable top design of this shaft support allows the user to easily remove the shafts, linear bearings and carriage without upsetting the position of the shaft support. This eliminates the need to reset the critical parallel alignment required in many linear shaft systems.

Available shaft diameters from 8mm to 40mm

Maintains alignment while servicing shafts and bearings

Customs available (bore size, bore shape, material)

Light Weight

Parallel and perpendicular surfaces for easy alignment

Superior shaft holding strength

Available in Low Profile and Standard footprint sizes

Lowest base to shaft height available

**Easy-Access™
Shaft
Supports**

**Common
Shaft
Supports**

✓

✓

✓

✗

✓

✗

✓

✗

✓

✗

✓

✗

✓

✗

✓

✗

ondrives.us

☎ 1-888-260-7466

📄 516-771-6444

💻 sales@ondrivesus.com

🌐 www.ondrivesus.com

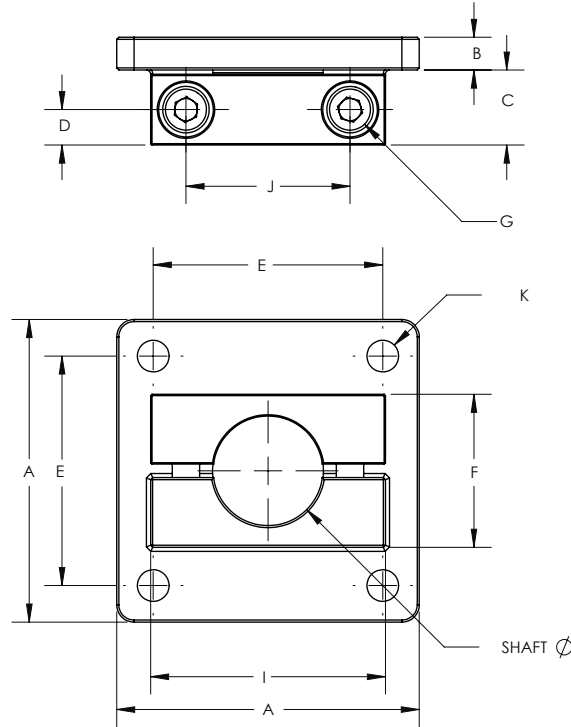
LPHS

COMPONENTS

LPHS

Easy-Access™ 304 Stainless Steel Shaft Supports

Low Profile, Top Loading



All dimensions are in inches

Part Number	Shaft Dia.	A	B	C	D	E	F	G	I	J	K	Weight (lb)
LPHS-06	.375	1.43	0.19	0.41	0.19	1.13	0.75	#6-32	1.03	0.69	0.17	0.162
LPHS-08	.500	1.68	0.25	0.53	0.25	1.25	0.87	#8-32	1.22	0.84	0.20	0.289
LPHS-12	.750	2.18	0.25	0.53	0.25	1.75	1.12	#10-24	1.66	1.16	0.22	0.475
LPHS-16	1.000	2.68	0.31	0.78	0.38	1.13	1.37	1/2-20	2.03	1.47	0.28	0.925

Materials: 304 Stainless
Fasteners: 18-8 Stainless

Lowest profile available
Easy to customize

ROHS compliant

The unique removable top design of this shaft support allows the user to easily remove the shafts, linear bearings and carriage without upsetting the position of the shaft support. This eliminates the need to reset the critical parallel alignment required in many linear shaft systems.

Available shaft diameters from 3/8" to 1"

Maintains alignment while servicing shafts and bearings

Customs available (bore size, bore shape, material)

Parallel and perpendicular surfaces for easy alignment

Superior shaft holding strength

Easy-Access™ Shaft Supports	Common Shaft Supports
-----------------------------	-----------------------

✓ ✓

✓ ✗

✓ ✗

✓ ✗

✓ ✗

ondrives.us

1-888-260-7466
516-771-6444

sales@ondrivesus.com
www.ondrivesus.com

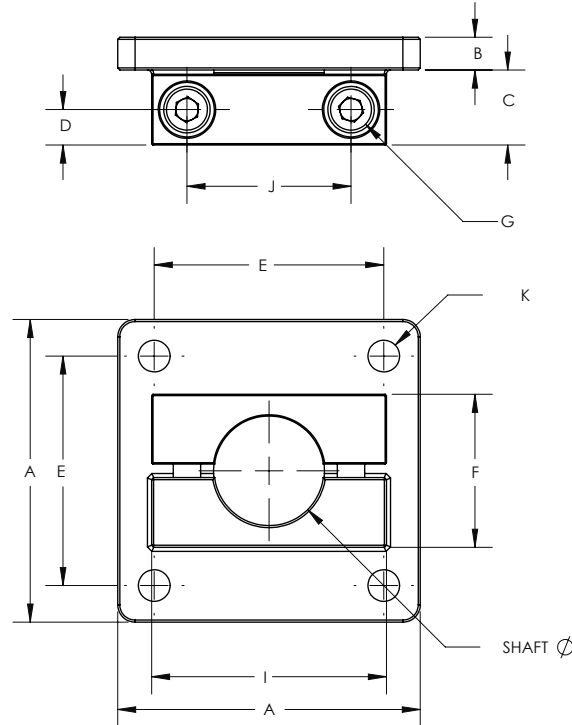
LPHS-M

COMPONENTS

LPHS-M

Easy-Access™ 304 Stainless Steel Shaft Supports

Low Profile, Top Loading



All dimensions are in millimeters

Part Number	Shaft Dia.	A	B	C	D	E	F	G	I	J	K	Weight (lb)
LPHS-10M	10mm	43	6	13	6	32	21	M4	28	18	5	0.273
LPHS-12M	12mm	43	6	13	6	32	22	M4	30	20	5	0.271
LPHS-20M	20mm	55	6	14	7	42	28	M5	43	30	6	0.448
LPHS-25M	25mm	68	8	20	10	54	34	M6	52	38	7	0.930

Materials: 304 Stainless
Fasteners: 18-8 Stainless

Lowest profile available
Easy to customize

ROHS compliant

The unique removable top design of this shaft support allows the user to easily remove the shafts, linear bearings and carriage without upsetting the position of the shaft support. This eliminates the need to reset the critical parallel alignment required in many linear shaft systems.

	Easy-Access™ Shaft Supports	Common Shaft Supports
--	-----------------------------	-----------------------

Available shaft diameters from 10mm to 25mm

✓ ✓

Maintains alignment while servicing shafts and bearings

✓ ✗

Customs available (bore size, bore shape, material)

✓ ✗

Parallel and perpendicular surfaces for easy alignment

✓ ✗

Superior shaft holding strength

✓ ✗

ondrives.us

☎ 1-888-260-7466
📄 516-771-6444

💻 sales@ondrivesus.com
🌐 www.ondrivesus.com