

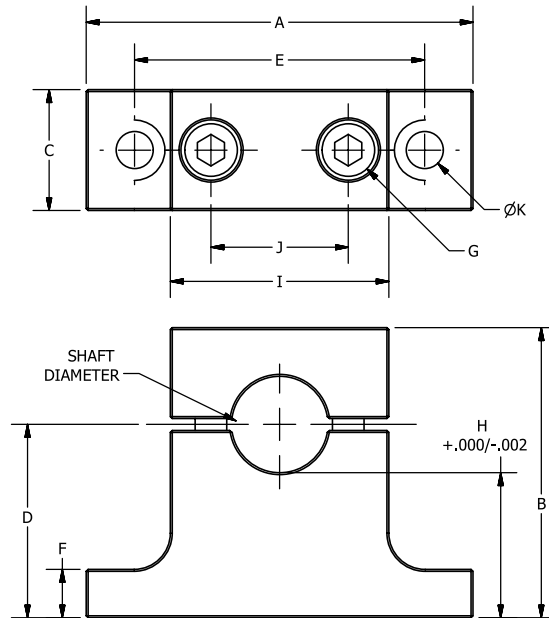
SBL

# COMPONENTS

## Easy-Access™ Linear Shaft Supports

Standard Height, Top Loading

SBL



All dimensions are in inches

Part Number	Shaft Dia.	A	B	C	D	E	F	G	H	I	J	K	Weight (lb)
SBL-04	0.250	1.50	1.00	0.50	0.687	1.125	0.25	#6-32	0.563	0.81	0.43	0.16	0.05
SBL-06	0.375	1.63	1.13	0.56	0.750	1.250	0.25	#6-32	0.563	0.94	0.56	0.16	0.06
SBL-08	0.500	2.00	1.50	0.63	1.000	1.500	0.25	#8-32	0.750	1.13	0.71	0.19	0.11
SBL-10	0.625	2.50	1.50	0.69	1.000	1.875	0.31	#10-24	0.688	1.36	0.87	0.22	0.15
SBL-12	0.750	2.75	1.81	0.75	1.250	2.000	0.31	#10-24	0.875	1.48	1.00	0.22	0.21
SBL-16	1.000	3.25	2.19	1.00	1.500	2.500	0.38	#1/4-20	1.000	1.94	1.34	0.28	0.40
SBL-20	1.250	4.00	2.63	1.13	1.750	3.000	0.44	#5/16-18	1.125	2.28	1.63	0.34	0.66
SBL-24	1.500	4.75	3.00	1.25	2.000	3.500	0.50	#5/16-18	1.250	2.53	1.88	0.34	0.96
SBL-32	2.000	6.00	3.75	1.50	2.500	4.500	0.63	#3/8"-16	1.500	3.20	2.45	0.41	1.79
*SBLB-1.50CD	BLANK	3.25	2.19	1.00	1.500	2.500	0.38	#1/4"-20	---	1.94	1.34	0.28	0.42

\*User machinable for hex or square profiles or any diameter up to 1"

Materials: Aluminum, Black Anodized

Fasteners: Alloy Steel, Black Oxide

Easy to customize  
Significant weight saving  
ROHS compliant

The unique removable top design of this shaft support allows the user to easily remove the shafts, linear bearings and carriage without upsetting the position of the shaft support. This eliminates the need to reset the critical parallel alignment required in many linear shaft systems.

	Easy-Access™ Shaft Supports	Common Shaft Supports
--	-----------------------------	-----------------------

Available shaft diameters from 3mm to 50mm	✓	✓
Maintains alignment while servicing shafts and bearings	✓	✗
Customs available (bore size, bore shape, material)	✓	✗
Light Weight	✓	✗
Parallel and perpendicular surfaces for easy alignment	✓	✗
Superior shaft holding strength	✓	✗
Available in Low Profile and Standard footprint sizes	✓	✗
Lowest base to shaft height available	✓	✗

1-888-260-7466  
516-771-6444

sales@ondrivesus.com  
www.ondrivesus.com

SBL-M

# COMPONENTS

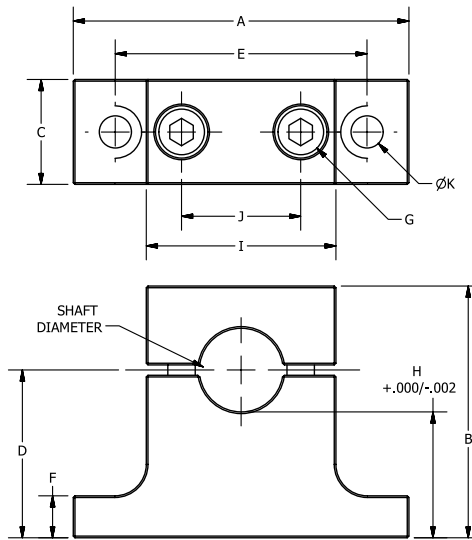
## Easy-Access™ Linear Shaft Supports

Standard Height, Top Loading

SBL-M



Made in USA 



All dimensions are in millimeters

Part Number	Shaft Dia.	A	B	C	D	E	F	G	H	I	J	K	Weight (lb)
<b>SBLM-08</b>	8	32	23	10	15	25	5.2	M2.5	11.0	16	12	4.5	0.03
<b>SBLM-12</b>	12	40	30	12	20	32	5.5	M3	14.0	22	17	5.5	0.05
<b>SBLM-16</b>	16	50	38	16	25	40	6.5	M4	17.0	29	22	5.5	0.11
<b>SBLM-20</b>	20	60	45	20	30	45	8.0	M5	20.0	34	26	5.5	0.19
<b>SBLM-25</b>	25	74	55	25	35	60	9.0	M6	22.5	44	34	6.6	0.35
<b>SBLM-30</b>	30	84	63	28	40	68	10.0	M8	25.0	52	40	9	0.50
<b>SBLM-40</b>	40	108	80	32	50	86	12.0	M10	30.0	65	52	11	0.92
<b>*SBLB-1.50CD</b>	BLANK	82.6	55.6	25.4	38.1	63.5	9.65	1/4-20	---	49.3	34.0	7.11	0.34

\*User machinable for hex or square profiles or any diameter up to 25.4mm

**Materials:** Aluminum, Black Anodized


**Fasteners:** Alloy Steel, Black Oxide


**Easy to customize**  
**Significant weight saving**  
**ROHS compliant**

The unique removable top design of this shaft support allows the user to easily remove the shafts, linear bearings and carriage without upsetting the position of the shaft support. This eliminates the need to reset the critical parallel alignment required in many linear shaft systems.

	Easy-Access™ Shaft Supports	Common Shaft Supports
Available shaft diameters from 3mm to 50mm	✓	✓
Maintains alignment while servicing shafts and bearings	✓	✗
Customs available (bore size, bore shape, material)	✓	✗
Light Weight	✓	✗
Parallel and perpendicular surfaces for easy alignment	✓	✗
Superior shaft holding strength	✓	✗
Available in Low Profile and Standard footprint sizes	✓	✗
Lowest base to shaft height available	✓	✗

**ondrives.us**

 1-888-260-7466

 516-771-6444

 sales@ondrivesus.com

 www.ondrivesus.com