

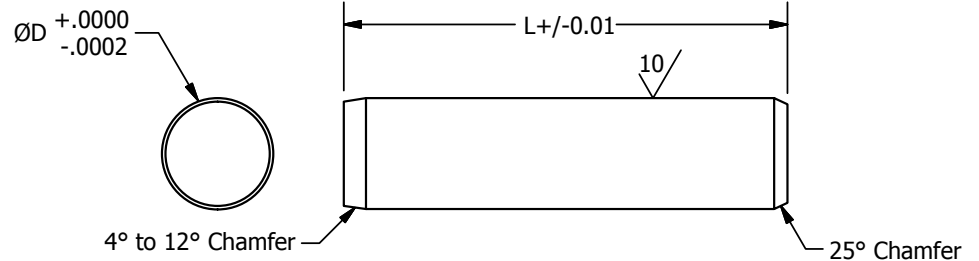
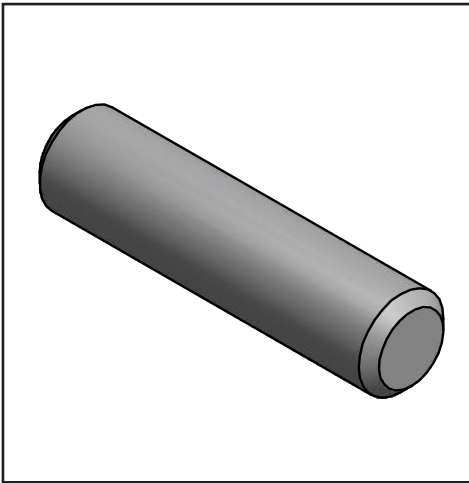
DP

# DOWEL PINS

## PRECISION - Interference Fit

DP

416 Stainless Steel - Inch



Inch - 416 Stainless Steel - Interference Fit

Hardness - RC 36-42

Length L	Diameter D +.0000/-0.0002							
	.0628	.0941	.1253	.1565	.1878	.2503	.3128	.3753
3/16	DP15-187	DP16-187	DP17-187	---	---	---	---	---
1/4	DP15-250	DP16-250	DP17-250	---	---	---	---	---
5/16	DP15-312	DP16-312	DP17-312	---	---	---	---	---
3/8	DP15-375	DP16-375	DP17-375	DP18-375	DP19-375	---	---	---
7/16	DP15-437	DP16-437	DP17-437	DP18-437	DP19-437	DP20-437	---	---
1/2	DP15-500	DP16-500	DP17-500	DP18-500	DP19-500	DP20-500	DP21-500	---
5/8	DP15-625	DP16-625	DP17-625	DP18-625	DP19-625	DP20-625	DP21-625	---
3/4	DP15-750	DP16-750	DP17-750	DP18-750	DP19-750	DP20-750	DP21-750	---
7/8	DP15-875	DP16-875	DP17-875	DP18-875	DP19-875	DP20-875	DP21-875	DP22-750
1	DP15-1000	DP16-1000	DP17-1000	DP18-1000	DP19-1000	DP20-1000	DP21-1000	DP22-1000
1-1/4	---	---	DP17-1250	---	DP19-1250	DP20-1250	DP21-1250	DP22-1250
1-1/2	---	---	---	---	DP19-1500	DP20-1500	DP21-1500	DP22-1500
1-3/4	---	---	---	---	---	DP20-1750	---	---
2	---	---	---	---	---	DP20-2000	---	DP22-2000

All dimensions in inches

3D CAD Models available and Product Parameter Search on our website at [www.Ondrives.US](http://www.Ondrives.US)

1-888-260-7466  
516-771-6444

sales@ondrivesus.com  
www.ondrivesus.com

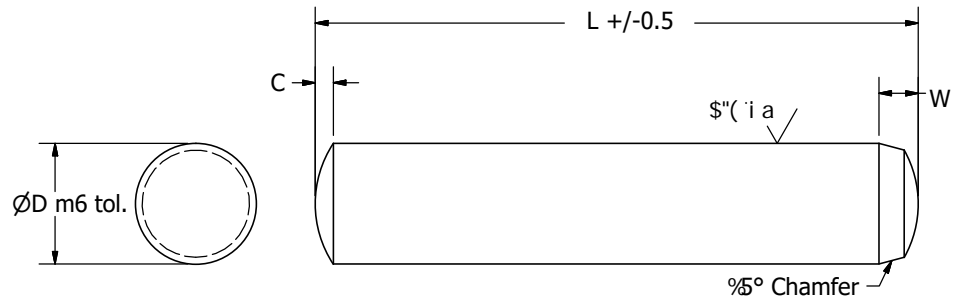
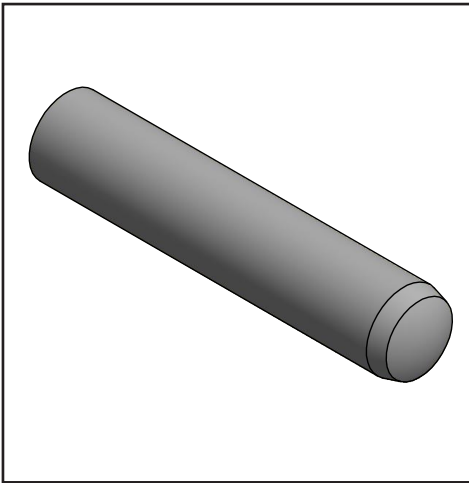
DPM

# DOWEL PINS

## PRECISION - Interference Fit

416 Stainless Steel - Metric

DPM



### Metric - 416 Stainless Steel - Interference Fit

Hardness - RC 36-42

Length L	Diameter D - m6 Tolerances							
	+0.008 +0.002	+0.008 +0.002	+0.008 +0.002	+0.012 +0.004	+0.012 +0.004	+0.012 +0.004	+0.015 +0.006	+0.015 +0.006
	2mm C=0.30 W=0.78	2.5mm C=0.40 W=0.95	3mm C=0.45 W=1.10	4mm C=0.60 W=1.40	5mm C=0.75 W=1.70	6mm C=0.90 W=2.10	8mm C=1.20 W=2.60	10mm C=1.50 W=3.00
5mm	DPM180-5	DPM181-5	---	---	---	---	---	---
6mm	DPM180-6	DPM181-6	DPM182-6	---	---	---	---	---
8mm	DPM180-8	DPM181-8	DPM182-8	---	---	---	---	---
10mm	DPM180-10	DPM181-10	DPM182-10	DPM183-10	DPM184-10	---	---	---
12mm	DPM180-12	DPM181-12	DPM182-12	DPM183-12	DPM184-12	DPM185-12	---	---
14mm	DPM180-14	DPM181-14	DPM182-14	DPM183-14	DPM184-14	DPM185-14	---	---
16mm	DPM180-16	DPM181-16	DPM182-16	DPM183-16	DPM184-16	DPM185-16	DPM186-16	---
18mm	DPM180-18	DPM181-18	DPM182-18	DPM183-18	DPM184-18	DPM185-18	DPM186-18	---
20mm	DPM180-20	DPM181-20	DPM182-20	DPM183-20	DPM184-20	DPM185-20	DPM186-20	DPM187-20
24mm	DPM180-24	DPM181-24	DPM182-24	DPM183-24	DPM184-24	DPM185-24	DPM186-24	DPM187-24
30mm	---	---	---	---	DPM184-30	DPM185-30	DPM186-30	DPM187-30
40mm	---	---	---	---	---	DPM185-40	DPM186-40	DPM187-40

All dimensions in millimeters

3D CAD Models available and Product Parameter Search on our website at [www.Ondrives.US](http://www.Ondrives.US)

1-888-260-7466  
516-771-6444

sales@ondrivesus.com  
www.ondrivesus.com