

HRHC

GEARBOXES

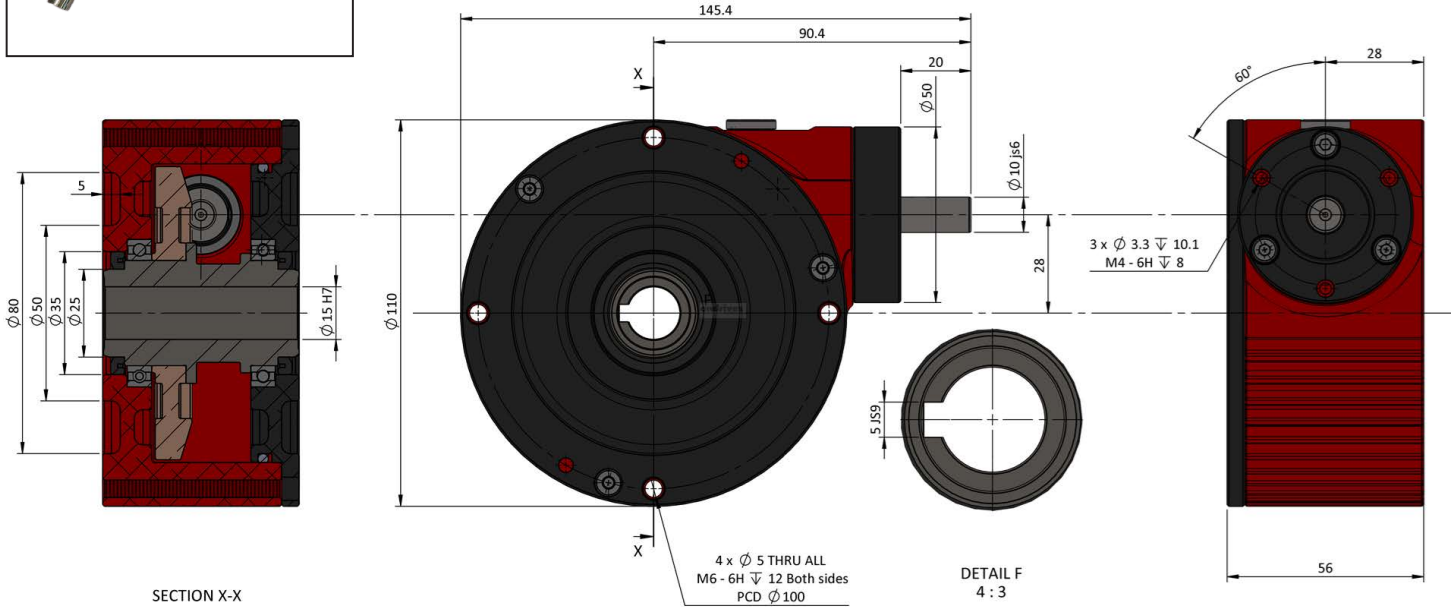
HRHC

Hypoid Gearbox

Precision High Ratio - Output Torque 20 Nm



Housing - Aluminum, Red Housing
Shafts - Steel



Part Number	Ratio	Efficiency % @ 1000 RPM	Max. Input OHL Radial Load	Max. Input Axial Load	Max. Output OHL Radial Load	Max. Output Axial Load
HRHC28-10	10:1	93%	20 kgf	10 kgf	60 kgf	40 kgf
HRHC28-15	15:1	91%	21 kgf	11 kgf	61 kgf	41 kgf
HRHC28-20	20:1	90%	22 kgf	12 kgf	62 kgf	42 kgf
HRHC28-60	60:1	88%	23 kgf	13 kgf	63 kgf	43 kgf

Output Torque(Nm): 20.00 Nm
 Mass: 1.32 kg (Approx.)
 Standard Backlash: ≤6' (≤0.1° degree)
 Greased for Life: Klubersynth GH 6-220
 Self Locking Output: Subject to ratio and only applies in static condition. Amount of locking effect may vary due to manufacturing processes. Modifications and specials are available. Please contact Technical Sales department.

Testing in your application is necessary. You will need to assess duty cycles and confirm gearbox suitability with your own calculations. All figures listed are to be used for guidance only.