

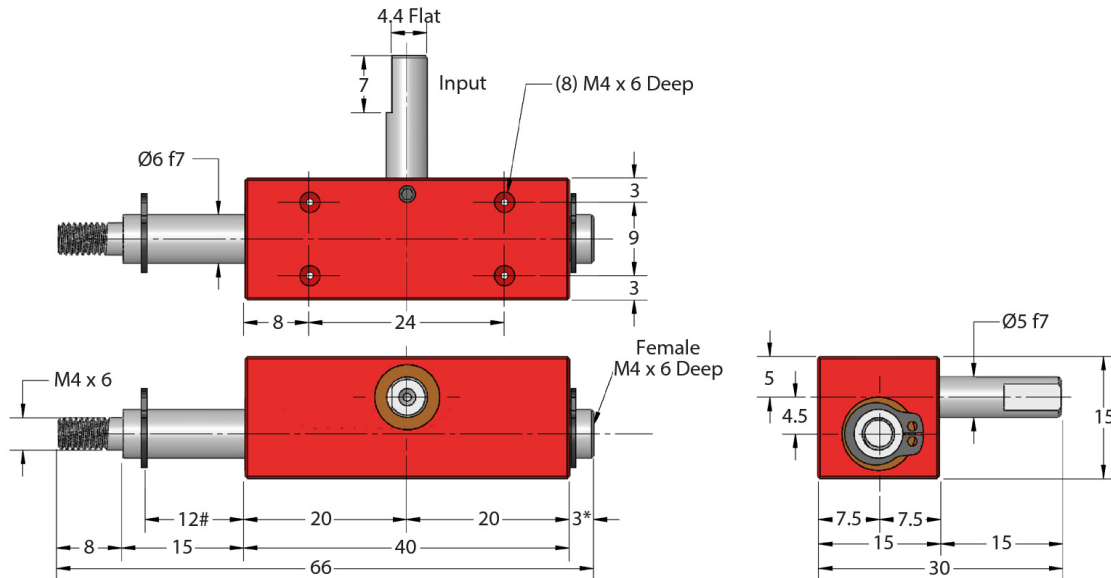
RPA6

GEARBOXES

Rack & Pinion Actuator Box

10 mm Stroke, 7.5 kg Load, 0.24 Nm

RPA6



Maximum extension } These figures will increase/decrease during operation
 * Minimum extension }

Part Number	Output Shaft Dia.	Input Shaft Dia.	Standard Travel	Max Torque Input at 100 rpm Nm	Max Load Output kg	Angular Movement For 1mm Travel	Angular Movement For Std Travel
RPA6-10	Ø6	Ø5	10	0.24	7.5	19.10°	191°

Case: Aluminum. Rack & Pinion: High Carbon Steel 817M40 (EN24).

Backlash: 2°.

Travel: 10 mm travel = 191° pinion rotation on input. 1 mm travel = 19.10° pinion rotation on input.

Greased for Life: Shell Gadus S5 V42P 2.5.

Special lengths or travel can be supplied to suit customers' requirements.

ondrives.us

1-888-260-7466
516-771-6444

sales@ondrivesus.com
www.ondrivesus.com

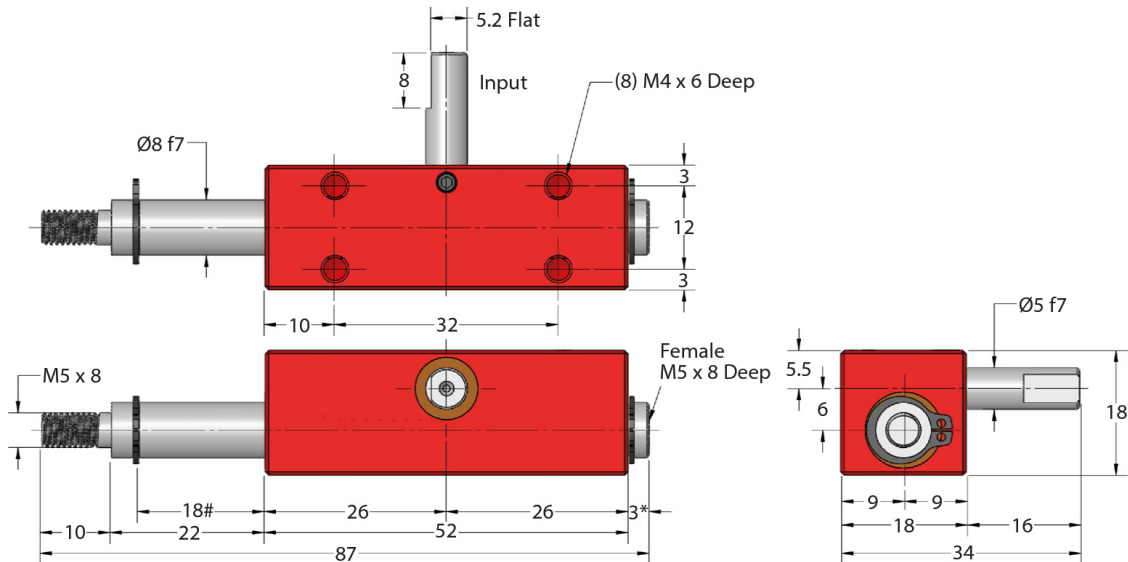
RPA8

GEARBOXES

Rack & Pinion Actuator Box

15 mm Stroke, 11 kg Load, 0.43 Nm

RPA8



Maximum extension } These figures will increase/decrease during operation
 * Minimum extension }

Part Number	Output Shaft Dia.	Input Shaft Dia.	Standard Travel	Max Torque Input at 100 rpm Nm	Max Load Output kg	Angular Movement For 1mm Travel	Angular Movement For Std Travel
RPA8-15	Ø8	Ø6	15	0.43	11	15.92°	238.8°

Case: Aluminum. Rack & Pinion: High Carbon Steel 817M40 (EN24).

Backlash: 2°.

Travel: 15 mm travel = 238.8° pinion rotation on input. 1 mm travel = 15.92° pinion rotation on input.

Greased for Life: Shell Gadus S5 V42P 2.5.

Special lengths or travel can be supplied to suit customers' requirements.

ondrives.us

☎ 1-888-260-7466

📄 516-771-6444

💻 sales@ondrivesus.com

🌐 www.ondrivesus.com

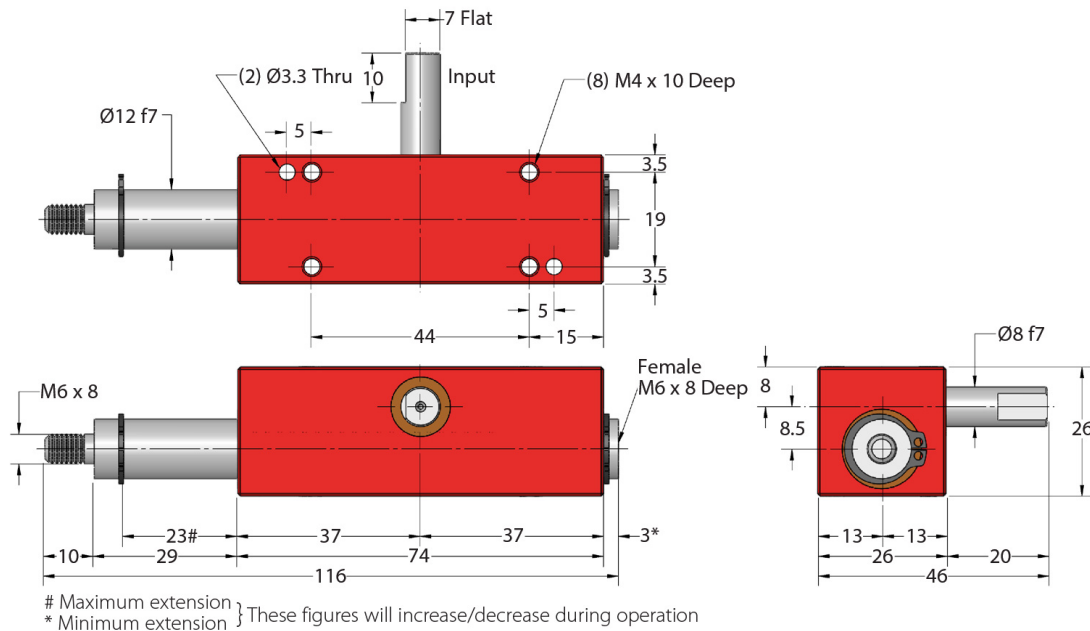
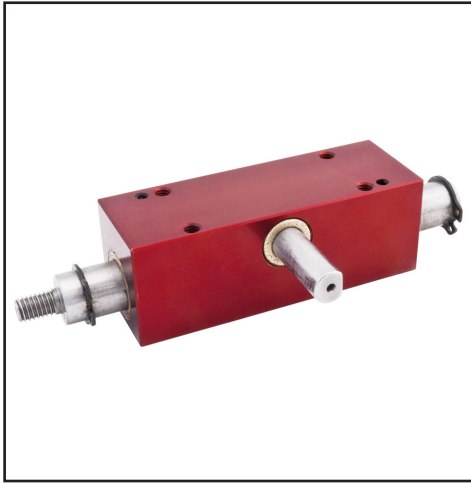
RPA12

GEARBOXES

Rack & Pinion Actuator Box

20 mm Stroke, 17 kg Load, 0.64 Nm

RPA12



Part Number	Output Shaft Dia.	Input Shaft Dia.	Standard Travel	Max Torque Input at 100 rpm Nm	Max Load Output kg	Angular Movement For 1mm Travel	Angular Movement For Std Travel
RPA12-20	Ø12	Ø8	20	0.64	17	11.93°	238.7°

Case: Aluminum. Rack & Pinion: High Carbon Steel 817M40 (EN24).

Weight: 0.225 kg. Backlash: 2°.

Travel: 20 mm travel = 238.7° pinion rotation on input. 1 mm travel = 11.93° pinion rotation on input.

Greased for Life: Shell Gadus S5 V42P 2.5.

Special lengths or travel can be supplied to suit customers' requirements.

ondrives.us

1-888-260-7466

516-771-6444

sales@ondrivesus.com

www.ondrivesus.com

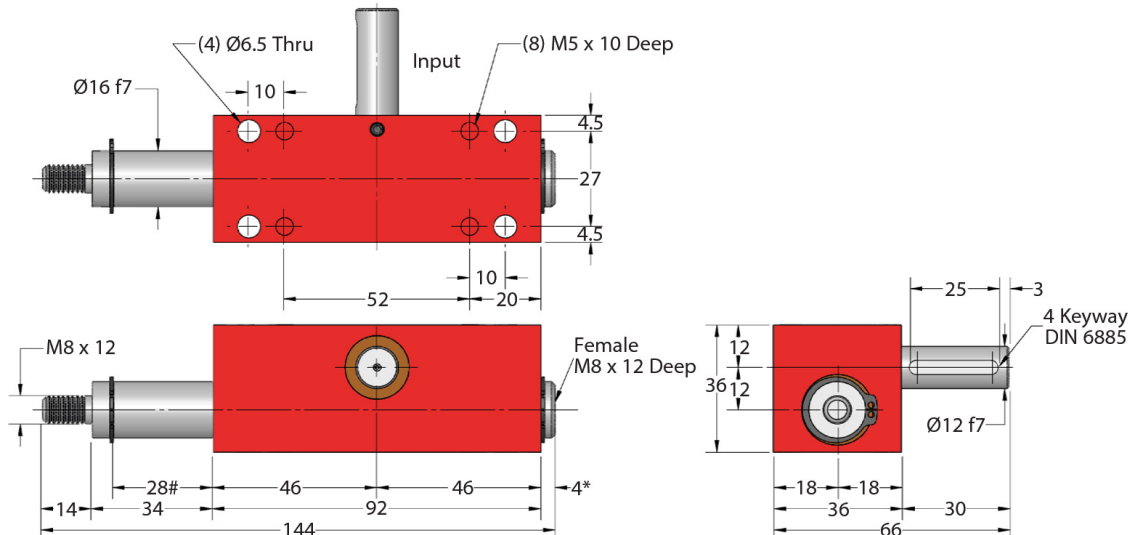
RPA16

GEARBOXES

Rack & Pinion Actuator Box

25 mm Stroke, 41 kg Load, 3 Nm

RPA16



Maximum extension } These figures will increase/decrease during operation
* Minimum extension }

Part Number	Output Shaft Dia.	Input Shaft Dia.	Standard Travel	Max Torque Input at 100 rpm Nm	Max Load Output kg	Angular Movement For 1mm Travel	Angular Movement For Std Travel
RPA16-25	Ø16	Ø12	25	3.0	41	8.19°	204.8°

Case: Aluminum. Rack & Pinion: High Carbon Steel 817M40 (EN24).

Backlash: 2°.

Travel: 25 mm travel = 204.8° pinion rotation on input. 1 mm travel = 8.19° pinion rotation on input.

Greased for Life: Shell Gadus S5 V42P 2.5.

Special lengths or travel can be supplied to suit customers' requirements.

ondrives.us

1-888-260-7466

516-771-6444

sales@ondrivesus.com

www.ondrivesus.com

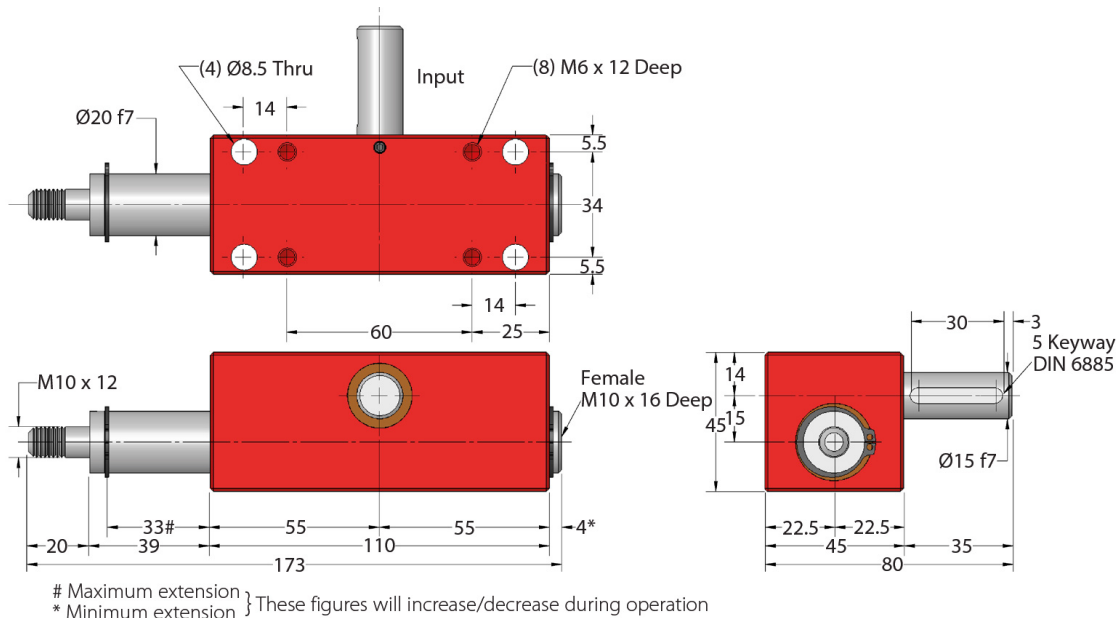
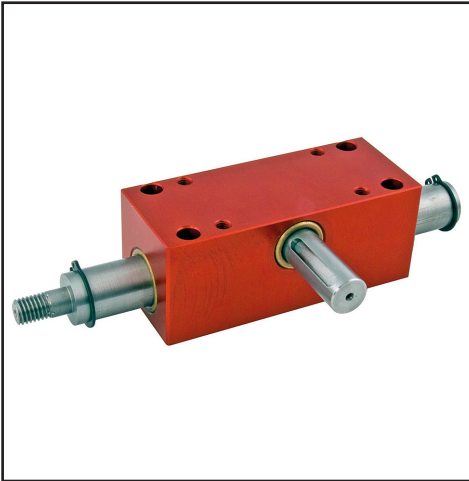
RPA20

GEARBOXES

Rack & Pinion Actuator Box

30 mm Stroke, 60 kg Load, 5.2 Nm

RPA20



Part Number	Output Shaft Dia.	Input Shaft Dia.	Standard Travel	Max Torque Input at 100 rpm Nm	Max Load Output kg	Angular Movement For 1mm Travel	Angular Movement For Std Travel
RPA20-30	Ø20	Ø15	30	5.2	60	6.55°	196.5°

Case: Aluminum. Rack & Pinion: High Carbon Steel 817M40 (EN24).

Backlash: 2°.

Travel: 30 mm travel = 196.5° pinion rotation on input. 1 mm travel = 6.55° pinion rotation on input.

Greased for Life: Shell Gadus S5 V42P 2.5.

Special lengths or travel can be supplied to suit customers' requirements.

ondrives.us

☎ 1-888-260-7466

📄 516-771-6444

💻 sales@ondrivesus.com

🌐 www.ondrivesus.com