

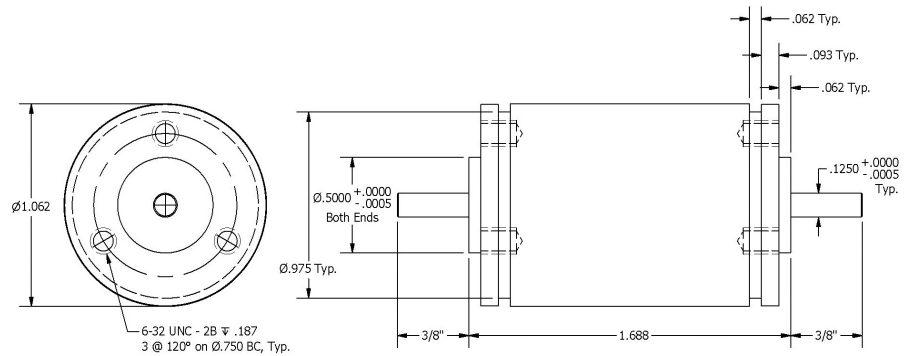
SRX

GEARBOXES

SRX

Low Backlash In-Line Speed Reducer

Ideal for encoder applications
Ratios up to 3600:1



Output Torque	65 oz-inches
Backlash	15 arc-minutes at any ratio
Ratios	9:1 to 3600:1
Speed	to 3,000 rpm
Diameter	1-1/16"
Starting Torque	.005 oz-in
Moment of Inertia (at input shaft)	.015 gm-cm ²

Materials:

- + Aluminum Housing, Anodized Black
- + 303 Stainless Steel Gears, Shafts, and Bearings

Modifications and custom designed gearboxes available. Contact Sales for details. Testing in your application is necessary. You will need to assess duty cycles and confirm suitability with your own calculations. All figures listed are to be used for guidance only.

Part Number	Ratio	Direction of Shaft Rotation
SRX11-9	9:1	Same
SRX11-10	10:1	Same
SRX11-12	12:1	Same
SRX11-15	15:1	Same
SRX11-20	20:1	Same
SRX11-25	25:1	Same
SRX11-30	30:1	Opposite
SRX11-40	40:1	Same
SRX11-50	50:1	Same
SRX11-60	60:1	Opposite
SRX11-80	80:1	Same
SRX11-90	90:1	Same
SRX11-100	100:1	Same
SRX11-180	180:1	Same
SRX11-200	200:1	Opposite
SRX11-300	300:1	Opposite
SRX11-360	360:1	Opposite
SRX11-400	400:1	Opposite
SRX11-500	500:1	Opposite
SRX11-600	600:1	Same
SRX11-800	800:1	Same
SRX11-1000	1000:1	Same
SRX11-2000	2000:1	Same
SRX11-3000	3000:1	Opposite
SRX11-3600	3600:1	Same

ondrives.us

☎ 1-888-260-7466
📄 516-771-6444

💻 sales@ondrivesus.com
🌐 www.ondrivesus.com

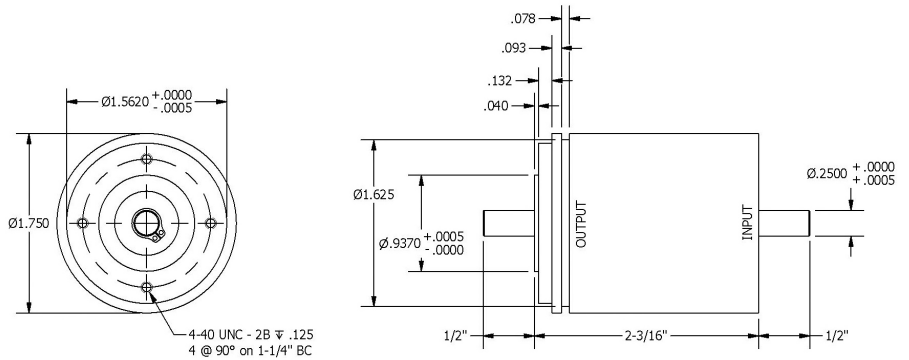
SRX

GEARBOXES

SRX

Low Backlash In-Line Speed Reducer

Ideal for encoder applications
Ratios up to 3000:1



Output Torque	125 oz-inches
Backlash	15 arc-minutes at any ratio
Ratios	4.96:1 to 3600:1
Speed	to 3,000 rpm
Diameter	1-3/4"
Starting Torque	.03 oz-in
Moment of Inertia (at input shaft)	.035 gm-cm ²

Materials:

- + Aluminum Housing, Anodized Black
- + 303 Stainless Steel Gears, Shafts, and Bearings

Modifications and custom designed gearboxes available. Contact Sales for details. Testing in your application is necessary. You will need to assess duty cycles and confirm suitability with your own calculations. All figures listed are to be used for guidance only.

Part Number	Ratio	Direction of Shaft Rotation
SRX18-5	4.96:1	Same
SRX18-6	6:1	Same
SRX18-10	9.93:1	Opposite
SRX18-15	15.27:1	Opposite
SRX18-20	20:1	Same
SRX18-30	30:1	Opposite
SRX18-40	40:1	Opposite
SRX18-51	50.90:1	Opposite
SRX18-80	80:1	Opposite
SRX18-100	100:1	Opposite
SRX18-125	124.80:1	Same
SRX18-150	150:1	Same
SRX18-200	200:1	Same
SRX18-248	248.16:1	Same
SRX18-300	300.30:1	Same
SRX18-400	400:1	Same
SRX18-500	500:1	Same
SRX18-600	600:1	Opposite
SRX18-1000	1000:1	Opposite
SRX18-1600	1600:1	Opposite
SRX18-1800	1800:1	Opposite
SRX18-2000	2000:1	Opposite
SRX18-2300	2300:1	Same
SRX18-2500	2500:1	Opposite
SRX18-3000	3000:1	Same

ondrives.us

☎ 1-888-260-7466
📄 516-771-6444

💻 sales@ondrivesus.com
🌐 www.ondrivesus.com