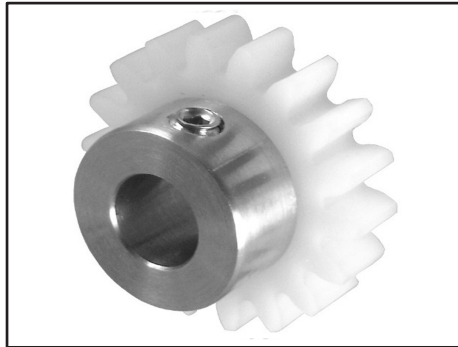


## Precision Spur Gears

Standard Gears 16 to 96 Pitch



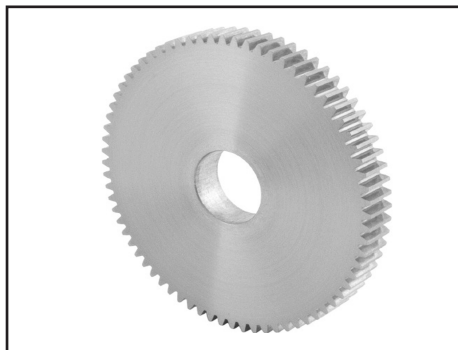
**Set Screw / Pin Hub**  
(Stainless, Aluminum)



**Delrin / Stainless Hub**



**Clamp Hub**  
(Stainless, Aluminum)



**Hub-less / Flat**  
(Stainless, Aluminum, Delrin)

Choose **ondrives** to make your gears because you get:

- **Standard, Custom gears & worms quickly made** - We beat prices and you get on time delivery always. You can trust us to help you! Gears up to 14" in diameter.
- **Expert engineering assistance** - We have designed many products with gears, worms, and sprockets. We know what we are doing.
- **We make the gears for our gearboxes** - Custom and standards. We know how to use gears, not just make them.
- **Quick delivery on 10 to 5,000 gears** - Standards 1 week if blank stock, 2-3 otherwise. Customs in 2-4 weeks.
- **Materials of all kinds** - 303, Aluminum, Brass, Bronze, Acetal, Hytrel®, Nylon, PEEK®, Polyurethane, Phenolic and other materials
- **Precision AGMA 10-12 cut gears** - In virtually any material.
- **Prototypes (1-10) for custom gears** - First article approval if needed
- **Rapid quotes! Call us at 1-888-260-7466** - Available for RFQs.

**Index**

<u>Pitch</u>	<u>Page</u>
16.....	3
20.....	6
24.....	10
32.....	17
48.....	26
64.....	32
72.....	41
80.....	48
96.....	53

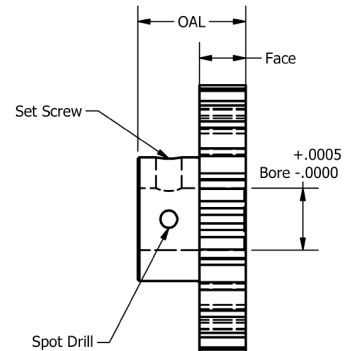
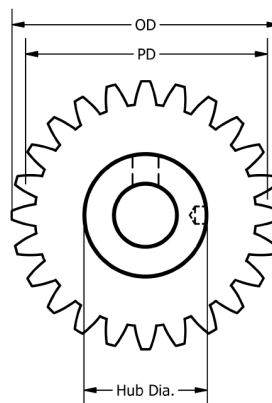
**SGP-S**  
16 Pitch

# GEARS

**SGP-S**  
16 Pitch

## 16 Pitch Precision Spur Gears - Set Screw Hub

303 Stainless Steel, AGMA Quality 10, 20° Pressure Angle



Part Number		No. of Teeth	Pitch Dia. PD	Outside Dia. OD
0.3748 Bore 0.500 Face 0.750 HD 1.000 OAL #10-24 Screw	0.4998 Bore 0.500 Face 1.000 HD 1.000 OAL #10-24 Screw			
SG16P36S-18	---	18	1.1250	1.250
SG16P36S-20	SG16P38S-20	20	1.2500	1.375
SG16P36S-22	SG16P38S-22	22	1.3750	1.500
SG16P36S-24	SG16P38S-24	24	1.5000	1.625
SG16P36S-25	SG16P38S-25	25	1.5625	1.688
SG16P36S-26	SG16P38S-26	26	1.6250	1.750
SG16P36S-28	SG16P38S-28	28	1.7500	1.875
SG16P36S-30	SG16P38S-30	30	1.8750	2.000
SG16P36S-32	SG16P38S-32	32	2.0000	2.125
SG16P36S-34	SG16P38S-34	34	2.1250	2.250
SG16P36S-35	SG16P38S-35	35	2.1875	2.313
SG16P36S-36	SG16P38S-36	36	2.2500	2.375
SG16P36S-38	SG16P38S-38	38	2.3750	2.500
SG16P36S-40	SG16P38S-40	40	2.5000	2.625
SG16P36S-42	SG16P38S-42	42	2.6250	2.750
SG16P36S-44	SG16P38S-44	44	2.7500	2.875
SG16P36S-45	SG16P38S-45	45	2.8125	2.938
SG16P36S-46	SG16P38S-46	46	2.8750	3.000
SG16P36S-48	SG16P38S-48	48	3.0000	3.125
SG16P36S-50	SG16P38S-50	50	3.1250	3.250
SG16P36S-55	SG16P38S-55	55	3.4375	3.563
SG16P36S-56	SG16P38S-56	56	3.5000	3.625
SG16P36S-60	SG16P38S-60	60	3.7500	3.875
SG16P36S-64	SG16P38S-64	64	4.0000	4.125
SG16P36S-65	SG16P38S-65	65	4.0625	4.188

**Materials:**

303 Stainless Steel

**On Request:**

14-1/2° Pressure Angle - additional number of teeth.

Customized or custom versions can be produced with accurate deliveries. Please call us with your needs.

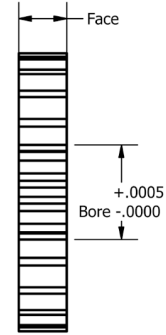
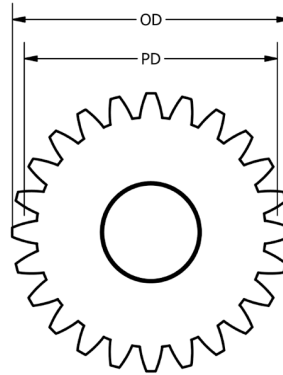
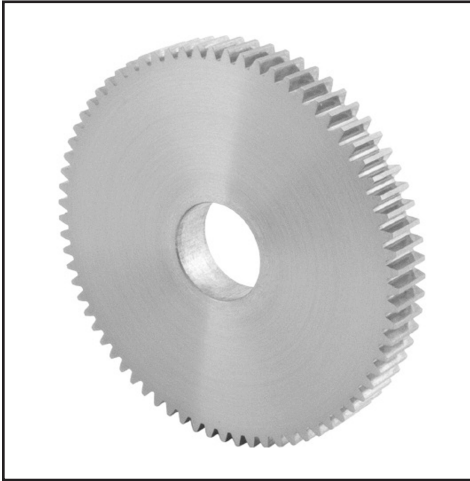
**SGF-S**  
16 Pitch

# GEARS

**SGF-S**  
16 Pitch

## 16 Pitch Precision Spur Gears - Flat

303 Stainless Steel, AGMA Quality 10, 20° Pressure Angle



Part Number	No. of Teeth	Pitch Dia. PD	Outside Dia. OD
0.6871 Bore 0.375 Face			
SG16F20S-18	18	1.1250	1.250
SG16F20S-20	20	1.2500	1.375
SG16F20S-22	22	1.3750	1.500
SG16F20S-24	24	1.5000	1.625
SG16F20S-25	25	1.5625	1.688
SG16F20S-26	26	1.6250	1.750
SG16F20S-28	28	1.7500	1.875
SG16F20S-30	30	1.8750	2.000
SG16F20S-32	32	2.0000	2.125
SG16F20S-34	34	2.1250	2.250
SG16F20S-35	35	2.1875	2.313
SG16F20S-36	36	2.2500	2.375
SG16F20S-38	38	2.3750	2.500
SG16F20S-40	40	2.5000	2.625
SG16F20S-42	42	2.6250	2.750
SG16F20S-44	44	2.7500	2.875
SG16F20S-45	45	2.8125	2.938
SG16F20S-46	46	2.8750	3.000
SG16F20S-48	48	3.0000	3.125
SG16F20S-50	50	3.1250	3.250
SG16F20S-55	55	3.4375	3.563
SG16F20S-56	56	3.5000	3.625
SG16F20S-60	60	3.7500	3.875
SG16F20S-64	64	4.0000	4.125
SG16F20S-65	65	4.0625	4.188

**Materials:**

303 Stainless Steel

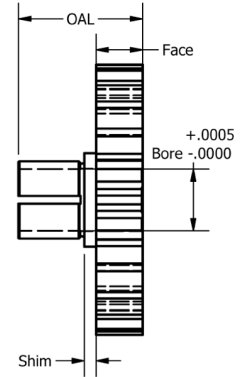
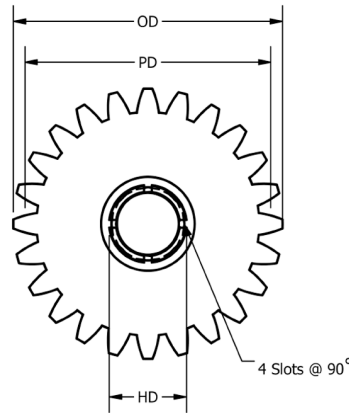
**On Request:**

14-1/2° Pressure Angle - additional number of teeth.

Customized or custom versions can be produced with accurate deliveries.  
Please call us with your needs.

## 16 Pitch Precision Spur Gears - Split Hub

303 Stainless Steel, AGMA Quality 10, 20° Pressure Angle



Part Number		No. of Teeth	Pitch Dia. PD	Outside Dia. OD
0.3748 Bore 0.250 Face 0.437 HD 0.625 OAL SH1-3625.4375 Clamp	0.4998 Bore 0.375 Face 0.562 HD 0.750 OAL SH1-4032.5625 Clamp			
SG16C25S-16	SG16C29S-16	16	1.0000	1.125
SG16C25S-18	SG16C29S-18	18	1.1250	1.250
SG16C25S-20	SG16C29S-20	20	1.2500	1.375
SG16C25S-24	SG16C29S-24	24	1.5000	1.625
SG16C25S-32	SG16C29S-32	32	2.0000	2.125
SG16C25S-40	SG16C29S-40	40	2.5000	2.625
SG16C25S-48	SG16C29S-48	48	3.0000	3.125

**Materials:**

303 Stainless Steel

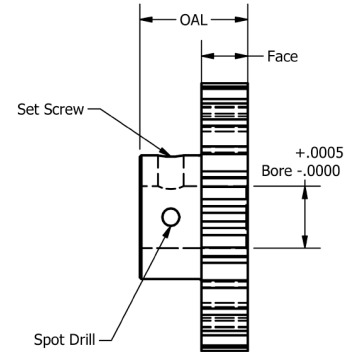
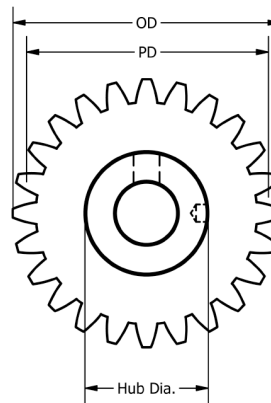
**On Request:**

14-1/2° Pressure Angle - additional number of teeth.

Customized or custom versions can be produced with accurate deliveries. Please call us with your needs.

## 20 Pitch Precision Spur Gears - Set Screw Hub

303 Stainless Steel, AGMA Quality 10, 20° Pressure Angle



Part Number				No. of Teeth	Pitch Dia. PD	Outside Dia. OD
0.2498 Bore 0.188 Face 0.500 HD 0.438 OAL #6-32 Screw	0.3123 Bore 0.250 Face 0.750 HD 0.625 OAL #8-32 Screw	0.3750 Bore 0.375 Face 0.750 HD 0.750 OAL #10-32 Screw	0.4998 Bore 0.375 Face 1.000 HD 0.875 OAL #10-24 Screw			
SG20P285-14	SG20P335-14 ▲	SG20P345-14 ▲	---	14	0.7000	0.800
SG20P285-15	SG20P335-15 ▲	SG20P345-15 ▲	---	15	0.7500	0.850
SG20P285-16	SG20P335-16	SG20P345-16	---	16	0.8000	0.900
SG20P285-18	SG20P335-18	SG20P345-18	---	18	0.9000	1.000
SG20P285-20	SG20P335-20	SG20P345-20	---	20	1.0000	1.100
SG20P285-22	SG20P335-22	SG20P345-22	---	22	1.1000	1.200
SG20P285-24	SG20P335-24	SG20P345-24	SG20P375-24	24	1.2000	1.300
SG20P285-25	SG20P335-25	SG20P345-25	SG20P375-25	25	1.2500	1.350
SG20P285-26	SG20P335-26	SG20P345-26	SG20P375-26	26	1.3000	1.400
SG20P285-28	SG20P335-28	SG20P345-28	SG20P375-28	28	1.4000	1.500
SG20P285-30	SG20P335-30	SG20P345-30	SG20P375-30	30	1.5000	1.600
SG20P285-32	SG20P335-32	SG20P345-32	SG20P375-32	32	1.6000	1.700
SG20P285-34	SG20P335-34	SG20P345-34	SG20P375-34	34	1.7000	1.800
SG20P285-35	SG20P335-35	SG20P345-35	SG20P375-35	35	1.7500	1.850
SG20P285-36	SG20P335-36	SG20P345-36	SG20P375-36	36	1.8000	1.900
SG20P285-38	SG20P335-38	SG20P345-38	SG20P375-38	38	1.9000	2.000
SG20P285-40	SG20P335-40	SG20P345-40	SG20P375-40	40	2.0000	2.100
SG20P285-42	SG20P335-42	SG20P345-42	SG20P375-42	42	2.1000	2.200
SG20P285-44	SG20P335-44	SG20P345-44	SG20P375-44	44	2.2000	2.300
SG20P285-45	SG20P335-45	SG20P345-45	SG20P375-45	45	2.2500	2.350
SG20P285-46	SG20P335-46	SG20P345-46	SG20P375-46	46	2.3000	2.400
SG20P285-48	SG20P335-48	SG20P345-48	SG20P375-48	48	2.4000	2.500

▲ Teeth cut into hub. Hub diameter may equal O.D.

Continued on next page

**Materials:**

303 Stainless Steel

**On Request:**

14-1/2° Pressure Angle - additional number of teeth.

Customized or custom versions can be produced with accurate deliveries. Please call us with your needs.

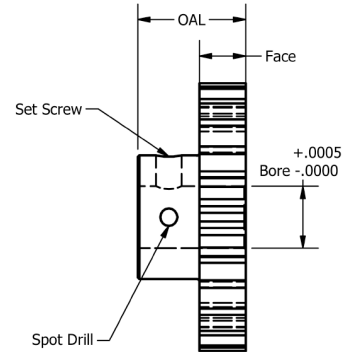
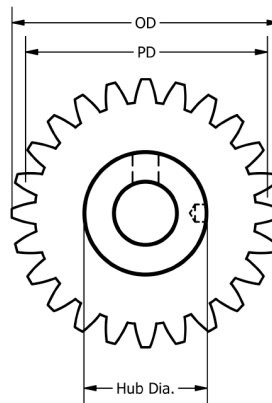
**SGP-S**  
20 Pitch

# GEARS

**SGP-S**  
20 Pitch

## 20 Pitch Precision Spur Gears - Set Screw Hub

303 Stainless Steel, AGMA Quality 10, 20° Pressure Angle



Part Number				No. of Teeth	Pitch Dia. PD	Outside Dia. OD
0.2498 Bore 0.188 Face 0.500 HD 0.438 OAL #6-32 Screw	0.3123 Bore 0.250 Face 0.750 HD 0.625 OAL #8-32 Screw	0.3750 Bore 0.375 Face 0.750 HD 0.750 OAL #10-32 Screw	0.4998 Bore 0.375 Face 1.000 HD 0.875 OAL #10-24 Screw			
SG20P285-50	SG20P335-50	SG20P345-50	SG20P375-50	50	2.5000	2.600
SG20P285-52	SG20P335-52	SG20P345-52	SG20P375-52	52	2.6000	2.700
SG20P285-54	SG20P335-54	SG20P345-54	SG20P375-54	54	2.7000	2.800
SG20P285-55	SG20P335-55	SG20P345-55	SG20P375-55	55	2.7500	2.850
SG20P285-56	SG20P335-56	SG20P345-56	SG20P375-56	56	2.8000	2.900
SG20P285-58	SG20P335-58	SG20P345-58	SG20P375-58	58	2.9000	3.000
SG20P285-60	SG20P335-60	SG20P345-60	SG20P375-60	60	3.0000	3.100
SG20P285-62	SG20P335-62	SG20P345-62	SG20P375-62	62	3.1000	3.200
SG20P285-64	SG20P335-64	SG20P345-64	SG20P375-64	64	3.2000	3.300
SG20P285-65	SG20P335-65	SG20P345-65	SG20P375-65	65	3.2500	3.350
SG20P285-66	SG20P335-66	SG20P345-66	SG20P375-66	66	3.3000	3.400
SG20P285-68	SG20P335-68	SG20P345-68	SG20P375-68	68	3.4000	3.500
SG20P285-70	SG20P335-70	SG20P345-70	SG20P375-70	70	3.5000	3.600
SG20P285-72	SG20P335-72	SG20P345-72	SG20P375-72	72	3.6000	3.700
SG20P285-74	SG20P335-74	SG20P345-74	SG20P375-74	74	3.7000	3.800
SG20P285-75	SG20P335-75	SG20P345-75	SG20P375-75	75	3.7500	3.850
SG20P285-76	SG20P335-76	SG20P345-76	SG20P375-76	76	3.8000	3.900
SG20P285-78	SG20P335-78	SG20P345-78	SG20P375-78	78	3.9000	4.000
SG20P285-80	SG20P335-80	SG20P345-80	SG20P375-80	80	4.0000	4.100
SG20P285-85	SG20P335-85	SG20P345-85	SG20P375-85	85	4.2500	4.350
SG20P285-90	SG20P335-90	SG20P345-90	SG20P375-90	90	4.5000	4.600
SG20P285-95	SG20P335-95	SG20P345-95	SG20P375-95	95	4.7500	4.850

▲ Teeth cut into hub. Hub diameter may equal O.D.

**Materials:**

303 Stainless Steel

**On Request:**

14-1/2° Pressure Angle - additional number of teeth.

Customized or custom versions can be produced with accurate deliveries. Please call us with your needs.

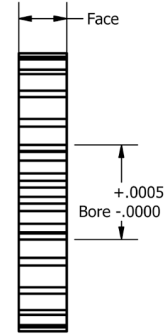
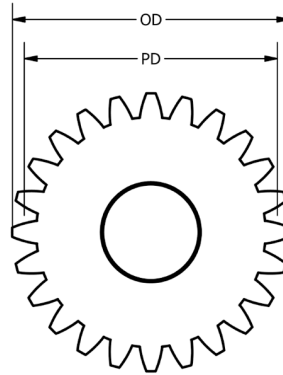
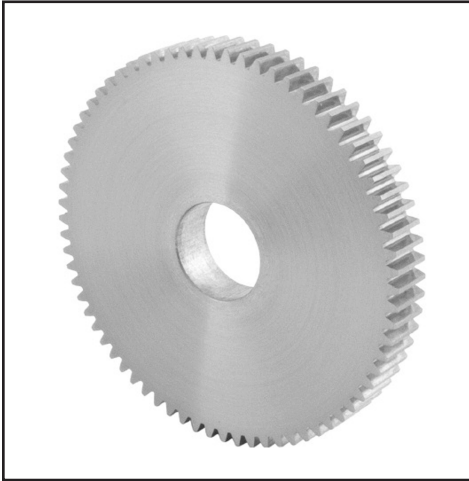
**SGF-S**  
20 Pitch

# GEARS

**SGF-S**  
20 Pitch

## 20 Pitch Precision Spur Gears - Flat

303 Stainless Steel, AGMA Quality 10, 20° Pressure Angle



Part Number	No. of Teeth	Pitch Dia. PD	Outside Dia. OD
0.6871 Bore 0.375 Face			
SG20F20S-24	24	1.2000	1.300
SG20F20S-25	25	1.2500	1.350
SG20F20S-30	30	1.5000	1.600
SG20F20S-35	35	1.7500	1.850
SG20F20S-40	40	2.0000	2.100
SG20F20S-45	45	2.2500	2.350
SG20F20S-50	50	2.5000	2.600
SG20F20S-55	55	2.7500	2.850
SG20F20S-60	60	3.0000	3.100
SG20F20S-65	65	3.2500	3.350
SG20F20S-70	70	3.5000	3.600
SG20F20S-75	75	3.7500	3.850
SG20F20S-80	80	4.0000	4.100
SG20F20S-85	85	4.2500	4.350
SG20F20S-90	90	4.5000	4.600

**Materials:**

303 Stainless Steel

**On Request:**

14-1/2° Pressure Angle - additional number of teeth.

Customized or custom versions can be produced with accurate deliveries.  
Please call us with your needs.



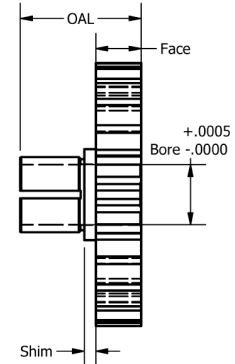
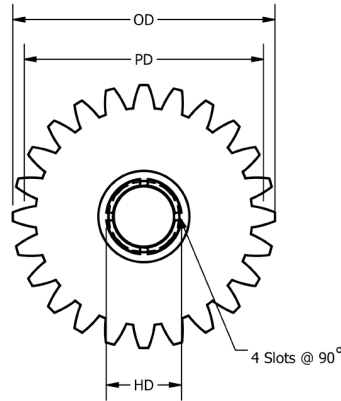
**SGC-S**  
20 Pitch

# GEARS

**SGC-S**  
20 Pitch

## 20 Pitch Precision Spur Gears - Split Hub

303 Stainless Steel, AGMA Quality 10, 20° Pressure Angle



Part Number		No. of Teeth	Pitch Dia. PD	Outside Dia. OD
0.3123 Bore 0.250 Face 0.375 HD 0.563 OAL SH1-3625.375S Clamp	0.3748 Bore 0.250 Face 0.437 HD 0.625 OAL SH1-3625.437S Clamp			
SG20C225-16	SG20C255-16	16	0.8000	0.900
SG20C225-20	SG20C255-20	20	1.0000	1.100
SG20C225-24	SG20C255-24	24	1.2000	1.300
SG20C225-32	SG20C255-32	32	1.6000	1.700
SG20C225-40	SG20C255-40	40	2.0000	2.100
SG20C225-48	SG20C255-48	48	2.4000	2.500
SG20C225-50	SG20C255-50	50	2.5000	2.600
SG20C225-55	SG20C255-55	55	2.7500	2.850
SG20C225-60	SG20C255-60	60	3.0000	3.100

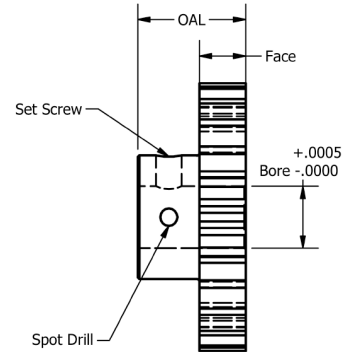
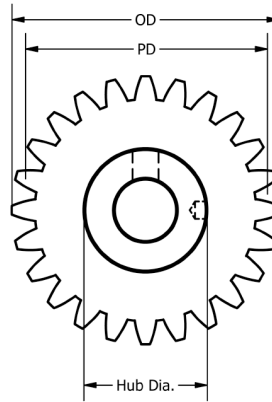
**Materials:**  
303 Stainless Steel

**On Request:**  
14-1/2° Pressure Angle - additional number of teeth.

Customized or custom versions can be produced with accurate deliveries.  
Please call us with your needs.

## 24 Pitch Precision Spur Gears - Set Screw Hub

Aluminum - Anodized, AGMA Quality 10, 20° Pressure Angle



Part Number			No. of Teeth	Pitch Dia. PD	Outside Dia. OD
0.1873 Bore 0.188 Face 0.375 HD 0.406 OAL #4-40 Screw	0.2498 Bore 0.188 Face 0.500 HD 0.438 OAL #6-32 Screw	0.3123 Bore 0.188 Face 0.500 HD 0.438 OAL #6-32 Screw			
SG24P21A-12	---	---	12	0.5000	0.583
SG24P21A-15	SG24P28A-15	SG24P32A-15	15	0.6250	0.708
SG24P21A-16	SG24P28A-16	SG24P32A-16	16	0.6667	0.750
SG24P21A-18	SG24P28A-18	SG24P32A-18	18	0.7500	0.833
SG24P21A-20	SG24P28A-20	SG24P32A-20	20	0.8333	0.917
SG24P21A-21	SG24P28A-21	SG24P32A-21	21	0.8750	0.958
SG24P21A-22	SG24P28A-22	SG24P32A-22	22	0.9167	1.000
SG24P21A-24	SG24P28A-24	SG24P32A-24	24	1.0000	1.083
SG24P21A-25	SG24P28A-25	SG24P32A-25	25	1.0417	1.125
SG24P21A-27	SG24P28A-27	SG24P32A-27	27	1.1250	1.208
SG24P21A-30	SG24P28A-30	SG24P32A-30	30	1.2500	1.333
SG24P21A-32	SG24P28A-32	SG24P32A-32	32	1.3333	1.417
SG24P21A-33	SG24P28A-33	SG24P32A-33	33	1.3750	1.458
SG24P21A-35	SG24P28A-35	SG24P32A-35	35	1.4583	1.542
SG24P21A-36	SG24P28A-36	SG24P32A-36	36	1.5000	1.583
SG24P21A-39	SG24P28A-39	SG24P32A-39	39	1.6250	1.708
SG24P21A-40	SG24P28A-40	SG24P32A-40	40	1.6667	1.750
SG24P21A-42	SG24P28A-42	SG24P32A-42	42	1.7500	1.833
SG24P21A-45	SG24P28A-45	SG24P32A-45	45	1.8750	1.958
SG24P21A-48	SG24P28A-48	SG24P32A-48	48	2.0000	2.083

Continued on next page

**Materials:**

Aluminum - Anodized

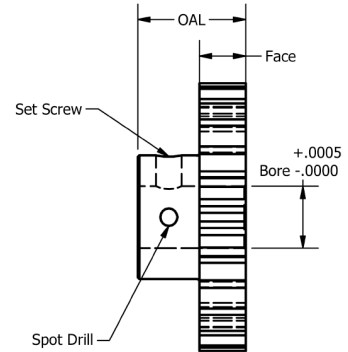
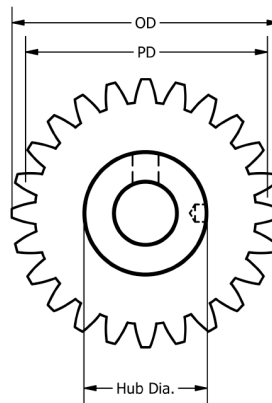
**On Request:**

14-1/2° Pressure Angle - additional number of teeth.

Customized or custom versions can be produced with accurate deliveries.  
Please call us with your needs.

## 24 Pitch Precision Spur Gears - Set Screw Hub

Aluminum - Anodized, AGMA Quality 10, 20° Pressure Angle



Part Number			No. of Teeth	Pitch Dia. PD	Outside Dia. OD
0.1873 Bore 0.188 Face 0.375 HD 0.406 OAL #4-40 Screw	0.2498 Bore 0.188 Face 0.500 HD 0.438 OAL #6-32 Screw	0.3123 Bore 0.188 Face 0.500 HD 0.438 OAL #6-32 Screw			
SG24P21A-50	SG24P28A-50	SG24P32A-50	50	2.0833	2.167
SG24P21A-51	SG24P28A-51	SG24P32A-51	51	2.1250	2.208
SG24P21A-54	SG24P28A-54	SG24P32A-54	54	2.2500	2.333
SG24P21A-55	SG24P28A-55	SG24P32A-55	55	2.2917	2.375
SG24P21A-57	SG24P28A-57	SG24P32A-57	57	2.3750	2.458
SG24P21A-60	SG24P28A-60	SG24P32A-60	60	2.5000	2.583
SG24P21A-63	SG24P28A-63	SG24P32A-63	63	2.6250	2.708
SG24P21A-65	SG24P28A-65	SG24P32A-65	65	2.7083	2.792
SG24P21A-66	SG24P28A-66	SG24P32A-66	66	2.7500	2.833
SG24P21A-70	SG24P28A-70	SG24P32A-70	70	2.9167	3.000
SG24P21A-72	SG24P28A-72	SG24P32A-72	72	3.0000	3.083
SG24P21A-75	SG24P28A-75	SG24P32A-75	75	3.1250	3.208
SG24P21A-78	SG24P28A-78	SG24P32A-78	78	3.2500	3.333
SG24P21A-80	SG24P28A-80	SG24P32A-80	80	3.3333	3.417
SG24P21A-81	SG24P28A-81	SG24P32A-81	81	3.3750	3.458
SG24P21A-84	SG24P28A-84	SG24P32A-84	84	3.5000	3.583
SG24P21A-85	SG24P28A-85	SG24P32A-85	85	3.5417	3.625
SG24P21A-87	SG24P28A-87	SG24P32A-87	87	3.6250	3.708
SG24P21A-90	SG24P28A-90	SG24P32A-90	90	3.7500	3.833
SG24P21A-96	SG24P28A-96	SG24P32A-96	96	4.0000	4.083
SG24P21A-100	SG24P28A-100	SG24P32A-100	100	4.1667	4.250
SG24P21A-105	SG24P28A-105	SG24P32A-105	105	4.3750	4.458

**Materials:**

Aluminum - Anodized

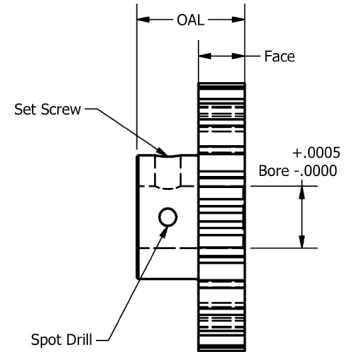
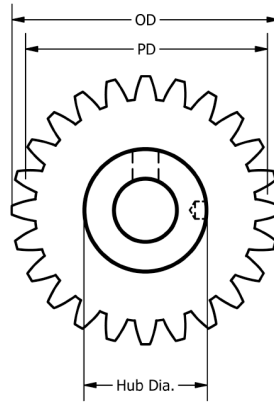
**On Request:**

14-1/2° Pressure Angle - additional number of teeth.

Customized or custom versions can be produced with accurate deliveries. Please call us with your needs.

## 24 Pitch Precision Spur Gears - Set Screw Hub

303 Stainless Steel, AGMA Quality 10, 20° Pressure Angle



Part Number				No. of Teeth	Pitch Dia. PD	Outside Dia. OD
0.1873 Bore 0.187 Face 0.375 HD 0.406 OAL #4-40 Screw	0.2498 Bore 0.187 Face 0.500 HD 0.437 OAL #6-32 Screw	0.3125 Bore 0.187 Face 0.500 HD 0.437 OAL #6-32 Screw	0.3750 Bore 0.375 Face 0.750 HD 0.750 OAL #10-32 Screw			
SG24P215-12	---	---	---	12	0.5000	0.583
SG24P215-15	SG24P285-15	SG24P325-15	SG24P345-15 ▲	15	0.6250	0.708
SG24P215-16	SG24P285-16	SG24P325-16	SG24P345-16 ▲	16	0.6667	0.750
SG24P215-18	SG24P285-18	SG24P325-18	SG24P345-18 ▲	18	0.7500	0.833
SG24P215-20	SG24P285-20	SG24P325-20	SG24P345-20	20	0.8333	0.917
SG24P215-21	SG24P285-21	SG24P325-21	SG24P345-21	21	0.8750	0.958
SG24P215-22	SG24P285-22	SG24P325-22	SG24P345-22	22	0.9167	1.000
SG24P215-24	SG24P285-24	SG24P325-24	SG24P345-24	24	1.0000	1.083
SG24P215-25	SG24P285-25	SG24P325-25	SG24P345-25	25	1.0417	1.125
SG24P215-27	SG24P285-27	SG24P325-27	SG24P345-27	27	1.1250	1.208
SG24P215-30	SG24P285-30	SG24P325-30	SG24P345-30	30	1.2500	1.333
SG24P215-32	SG24P285-32	SG24P325-32	SG24P345-32	32	1.3333	1.417
SG24P215-33	SG24P285-33	SG24P325-33	SG24P345-33	33	1.3750	1.458
SG24P215-35	SG24P285-35	SG24P325-35	SG24P345-35	35	1.4583	1.542
SG24P215-36	SG24P285-36	SG24P325-36	SG24P345-36	36	1.5000	1.583
SG24P215-39	SG24P285-39	SG24P325-39	SG24P345-39	39	1.6250	1.708
SG24P215-40	SG24P285-40	SG24P325-40	SG24P345-40	40	1.6667	1.750
SG24P215-42	SG24P285-42	SG24P325-42	SG24P345-42	42	1.7500	1.833
SG24P215-45	SG24P285-45	SG24P325-45	SG24P345-45	45	1.8750	1.958
SG24P215-48	SG24P285-48	SG24P325-48	SG24P345-48	48	2.0000	2.083

▲ Teeth cut into hub. Hub diameter may equal O.D.

Continued on next page

**Materials:**

303 Stainless Steel

**On Request:**

14-1/2° Pressure Angle - additional number of teeth.

Customized or custom versions can be produced with accurate deliveries. Please call us with your needs.

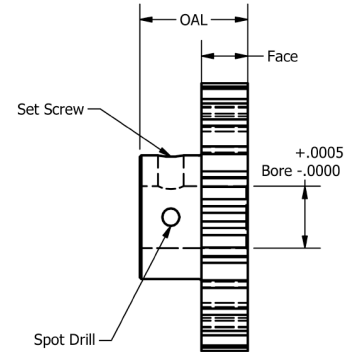
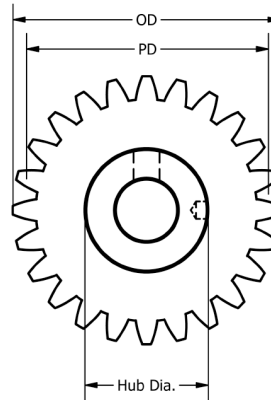
**SGP-S**  
24 Pitch

# GEARS

**SGP-S**  
24 Pitch

## 24 Pitch Precision Spur Gears - Set Screw Hub

303 Stainless Steel, AGMA Quality 10, 20° Pressure Angle



Part Number				No. of Teeth	Pitch Dia. PD	Outside Dia. OD
0.1873 Bore 0.187 Face 0.375 HD 0.406 OAL #4-40 Screw	0.2498 Bore 0.187 Face 0.500 HD 0.437 OAL #6-32 Screw	0.3125 Bore 0.187 Face 0.500 HD 0.437 OAL #6-32 Screw	0.3750 Bore 0.375 Face 0.750 HD 0.750 OAL #10-32 Screw			
SG24P215-50	SG24P285-50	SG24P325-50	SG24P345-50	50	2.0833	2.167
SG24P215-51	SG24P285-51	SG24P325-51	SG24P345-51	51	2.1250	2.208
SG24P215-54	SG24P285-54	SG24P325-54	SG24P345-54	54	2.2500	2.333
SG24P215-55	SG24P285-55	SG24P325-55	SG24P345-55	55	2.2917	2.375
SG24P215-57	SG24P285-57	SG24P325-57	SG24P345-57	57	2.3750	2.458
SG24P215-60	SG24P285-60	SG24P325-60	SG24P345-60	60	2.5000	2.583
SG24P215-63	SG24P285-63	SG24P325-63	SG24P345-63	63	2.6250	2.708
SG24P215-65	SG24P285-65	SG24P325-65	SG24P345-65	65	2.7083	2.792
SG24P215-66	SG24P285-66	SG24P325-66	SG24P345-66	66	2.7500	2.833
SG24P215-70	SG24P285-70	SG24P325-70	SG24P345-70	70	2.9167	3.000
SG24P215-72	SG24P285-72	SG24P325-72	SG24P345-72	72	3.0000	3.083
SG24P215-75	SG24P285-75	SG24P325-75	SG24P345-75	75	3.1250	3.208
SG24P215-78	SG24P285-78	SG24P325-78	SG24P345-78	78	3.2500	3.333
SG24P215-80	SG24P285-80	SG24P325-80	SG24P345-80	80	3.3333	3.417
SG24P215-81	SG24P285-81	SG24P325-81	SG24P345-81	81	3.3750	3.458
SG24P215-84	SG24P285-84	SG24P325-84	SG24P345-84	84	3.5000	3.583
SG24P215-85	SG24P285-85	SG24P325-85	SG24P345-85	85	3.5417	3.625
SG24P215-87	SG24P285-87	SG24P325-87	SG24P345-87	87	3.6250	3.708
SG24P215-90	SG24P285-90	SG24P325-90	SG24P345-90	90	3.7500	3.833
SG24P215-96	SG24P285-96	SG24P325-96	SG24P345-96	96	4.0000	4.083
SG24P215-100	SG24P285-100	SG24P325-100	SG24P345-100	100	4.1667	4.250
SG24P215-105	SG24P285-105	SG24P325-105	SG24P345-105	105	4.3750	4.458

▲ Teeth cut into hub. Hub diameter may equal O.D.

**Materials:**

303 Stainless Steel

**On Request:**

14-1/2° Pressure Angle - additional number of teeth.

Customized or custom versions can be produced with accurate deliveries. Please call us with your needs.

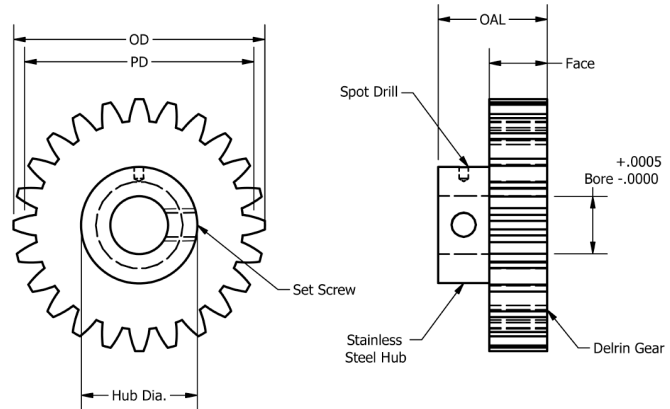
**SGP-XD**  
**24 Pitch**

# GEARS

**SGP-XD**  
**24 Pitch**

## 24 Pitch Precision Spur Gears - Split Hub

Delrin Gear with Stainless Hub, AGMA Quality 10, 20° Pressure Angle



Part Number		No. of Teeth	Pitch Dia. PD	Outside Dia. OD
0.1873 Bore 0.188 Face 0.500 HD 0.438 OAL #6-32 Screw	0.2498 Bore 0.188 Face 0.500 HD 0.438 OAL #6-32 Screw			
SG24P21XD-15	SG24P28XD-15	15	0.6250	0.708
SG24P21XD-16	SG24P28XD-16	16	0.6667	0.750
SG24P21XD-18	SG24P28XD-18	18	0.7500	0.833
SG24P21XD-20	SG24P28XD-20	20	0.8333	0.917
SG24P21XD-22	SG24P28XD-22	22	0.9167	1.000
SG24P21XD-24	SG24P28XD-24	24	1.0000	1.083
SG24P21XD-25	SG24P28XD-25	25	1.0417	1.125
SG24P21XD-28	SG24P28XD-28	28	1.1666	1.250
SG24P21XD-30	SG24P28XD-30	30	1.2500	1.333
SG24P21XD-32	SG24P28XD-32	32	1.3333	1.417
SG24P21XD-35	SG24P28XD-35	35	1.4583	1.542
SG24P21XD-36	SG24P28XD-36	36	1.5000	1.583
SG24P21XD-40	SG24P28XD-40	40	1.6667	1.750
SG24P21XD-42	SG24P28XD-42	42	1.7500	1.833
SG24P21XD-45	SG24P28XD-45	45	1.8750	1.958
SG24P21XD-48	SG24P28XD-48	48	2.0000	2.083
SG24P21XD-50	SG24P28XD-50	50	2.0833	2.167
SG24P21XD-55	SG24P28XD-55	55	2.2917	2.375
SG24P21XD-60	SG24P28XD-60	60	2.5000	2.583
SG24P21XD-70	SG24P28XD-70	70	2.9167	3.000
SG24P21XD-80	SG24P28XD-80	80	3.3333	3.417
SG24P21XD-84	SG24P28XD-84	84	3.5000	3.583
SG24P21XD-90	SG24P28XD-90	90	3.7500	3.833

**Materials:**

Delrin gear with 303 Stainless Steel hub.

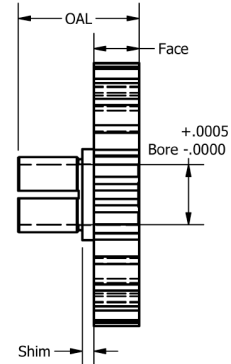
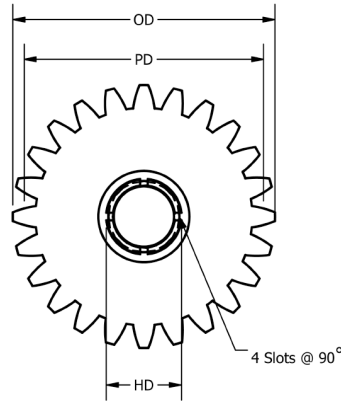
**On Request:**

14-1/2° Pressure Angle - additional number of teeth.

Customized or custom versions can be produced with accurate deliveries. Please call us with your needs.

## 24 Pitch Precision Spur Gears - Split Hub

Aluminum, Stainless Steel, AGMA Quality 10, 20° Pressure Angle



Part Number			No. of Teeth	Pitch Dia. PD	Outside Dia. OD
Aluminum	Stainless Steel				
0.2498 Bore 0.125 Face 0.312 HD 0.406 OAL SH1-2825.313S Clamp	0.2498 Bore 0.125 Face 0.312 HD 0.406 OAL SH1-2825.313S Clamp	0.3748 Bore 0.250 Face 0.437 HD 0.625 OAL SH1-3625.437S Clamp			
SG24C18A-12	SG24C18S-12	SG24C20S-12	12	0.5000	0.583
SG24C18A-13	SG24C18S-13	SG24C20S-13	13	0.5417	0.625
SG24C18A-14	SG24C18S-14	SG24C20S-14	14	0.5833	0.667
SG24C18A-15	SG24C18S-15	SG24C20S-15	15	0.6250	0.708
SG24C18A-16	SG24C18S-16	SG24C20S-16	16	0.6667	0.750
SG24C18A-18	SG24C18S-18	SG24C20S-18	18	0.7500	0.833
SG24C18A-20	SG24C18S-20	SG24C20S-20	20	0.8333	0.917
SG24C18A-22	SG24C18S-22	SG24C20S-22	22	0.9167	1.000
SG24C18A-24	SG24C18S-24	SG24C20S-24	24	1.0000	1.083
SG24C18A-25	SG24C18S-25	SG24C20S-25	25	1.0417	1.125
SG24C18A-26	SG24C18S-26	SG24C20S-26	26	1.0833	1.167
SG24C18A-28	SG24C18S-28	SG24C20S-28	28	1.1667	1.250
SG24C18A-30	SG24C18S-30	SG24C20S-30	30	1.2500	1.333
SG24C18A-32	SG24C18S-32	SG24C20S-32	32	1.3333	1.417
SG24C18A-33	SG24C18S-33	SG24C20S-33	33	1.3750	1.458
SG24C18A-35	SG24C18S-35	SG24C20S-35	35	1.4583	1.542
SG24C18A-36	SG24C18S-36	SG24C20S-36	36	1.5000	1.583
SG24C18A-39	SG24C18S-39	SG24C20S-39	39	1.6250	1.708
SG24C18A-42	SG24C18S-42	SG24C20S-42	42	1.7500	1.833
SG24C18A-45	SG24C18S-45	SG24C20S-45	45	1.8750	1.958
SG24C18A-48	SG24C18S-48	SG24C20S-48	48	2.0000	2.083
SG24C18A-51	SG24C18S-51	SG24C20S-51	51	2.1250	2.208
SG24C18A-54	SG24C18S-54	SG24C20S-54	54	2.2500	2.333
SG24C18A-55	SG24C18S-55	SG24C20S-55	55	2.2917	2.375
SG24C18A-60	SG24C18S-60	SG24C20S-60	60	2.5000	2.583
SG24C18A-65	SG24C18S-65	SG24C20S-65	65	2.7083	2.792
SG24C18A-66	SG24C18S-66	SG24C20S-66	66	2.7500	2.833
SG24C18A-70	SG24C18S-70	SG24C20S-70	70	2.9167	3.000
SG24C18A-72	SG24C18S-72	SG24C20S-72	72	3.0000	3.083
SG24C18A-75	SG24C18S-75	SG24C20S-75	75	3.1250	3.208
SG24C18A-78	SG24C18S-78	SG24C20S-78	78	3.2500	3.333
SG24C18A-84	SG24C18S-84	SG24C20S-84	84	3.5000	3.583

**Materials:**

303 Stainless Steel

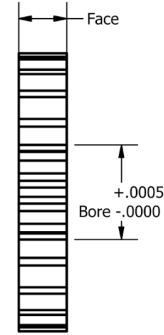
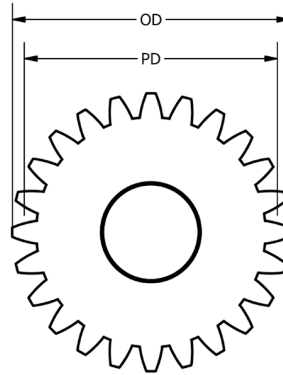
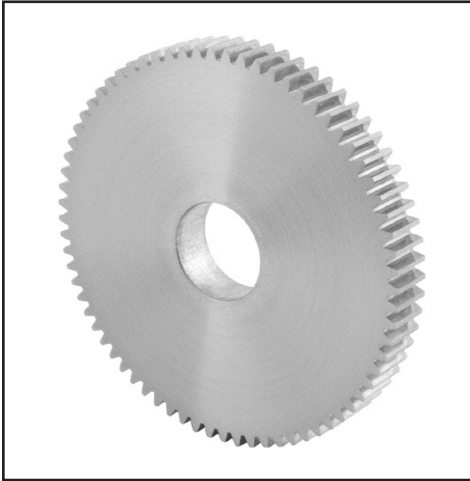
**On Request:**

14-1/2° Pressure Angle - additional number of teeth.

Customized or custom versions can be produced with accurate deliveries. Please call us with your needs.

## 24 Pitch Precision Spur Gears - Flat

Aluminum, Stainless Steel, Delrin, AGMA Quality 10, 20° Pressure Angle



Part Number			No. of Teeth	Pitch Dia. PD	Outside Dia. OD
Aluminum 0.3748 Bore 0.250 Face	Stainless Steel 0.3748 Bore 0.250 Face	Delrin 0.3748 Bore 0.187 Face			
SG24F6A-15	SG24F6S-15	SG24F5D-15	15	0.6250	0.708
SG24F6A-16	SG24F6S-16	SG24F5D-16	16	0.6667	0.750
SG24F6A-18	SG24F6S-18	SG24F5D-18	18	0.7500	0.833
SG24F6A-20	SG24F6S-20	SG24F5D-20	20	0.8333	0.917
SG24F6A-21	SG24F6S-21	SG24F5D-21	21	0.8750	0.958
SG24F6A-22	SG24F6S-22	SG24F5D-22	22	0.9167	1.000
SG24F6A-24	SG24F6S-24	SG24F5D-24	24	1.0000	1.083
SG24F6A-25	SG24F6S-25	SG24F5D-25	25	1.0417	1.125
SG24F6A-30	SG24F6S-30	SG24F5D-30	30	1.2500	1.333
SG24F6A-32	SG24F6S-32	SG24F5D-32	32	1.3333	1.417
SG24F6A-35	SG24F6S-35	SG24F5D-35	35	1.4583	1.542
SG24F6A-36	SG24F6S-36	SG24F5D-36	36	1.5000	1.583
SG24F6A-40	SG24F6S-40	SG24F5D-40	40	1.6667	1.750
SG24F6A-45	SG24F6S-45	SG24F5D-45	45	1.8750	1.958
SG24F6A-48	SG24F6S-48	SG24F5D-48	48	2.0000	2.083
SG24F6A-50	SG24F6S-50	SG24F5D-50	50	2.0833	2.167
SG24F6A-55	SG24F6S-55	SG24F5D-55	55	2.2917	2.375
SG24F6A-60	SG24F6S-60	SG24F5D-60	60	2.5000	2.583
SG24F6A-65	SG24F6S-65	SG24F5D-65	65	2.7083	2.792
SG24F6A-70	SG24F6S-70	SG24F5D-70	70	2.9167	3.000
SG24F6A-72	SG24F6S-72	SG24F5D-72	72	3.0000	3.083
SG24F6A-75	SG24F6S-75	SG24F5D-75	75	3.1250	3.208
SG24F6A-80	SG24F6S-80	SG24F5D-80	80	3.3333	3.417
SG24F6A-84	SG24F6S-84	SG24F5D-84	84	3.5000	3.583
SG24F6A-85	SG24F6S-85	SG24F5D-85	85	3.5417	3.625
SG24F6A-90	SG24F6S-90	SG24F5D-90	90	3.7500	3.833
SG24F6A-96	SG24F6S-96	---	96	4.0000	4.083

**Materials:**

303 Stainless Steel

**On Request:**

14-1/2° Pressure Angle - additional number of teeth.

Customized or custom versions can be produced with accurate deliveries. Please call us with your needs.



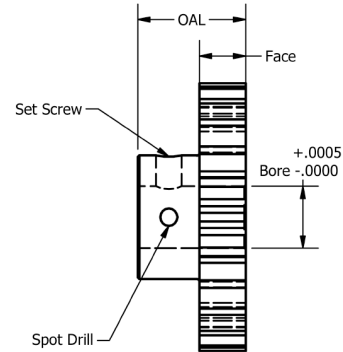
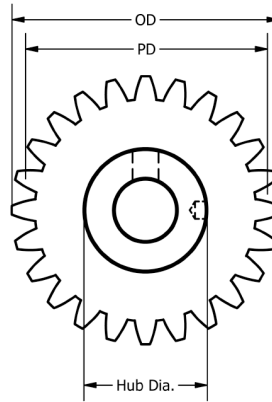
**SGP-A/S**  
**32 Pitch**

# GEARS

**SGP-A/S**  
**32 Pitch**

## 32 Pitch Precision Spur Gears - Set Screw Hub

Aluminum, Stainless Steel, AGMA Quality 10, 20° Pressure Angle



Part Number			No. of Teeth	Pitch Dia. PD	Outside Dia. OD
Aluminum, Anodized					
0.1873 Bore 3/16" Face 3/8" HD 13/32" OAL #4-40 Screw	0.2498 Bore 1/8" Face 1/2" HD 3/8" OAL #6-32 Screw	0.2498 Bore 3/16" Face 1/2" HD 7/16" OAL #6-32 Screw			
SG32P21A-12 ▲	---	---	12	0.3750	0.438
SG32P21A-15	---	---	15	0.4688	0.531
SG32P21A-16	---	---	16	0.5000	0.563
SG32P21A-17	---	---	17	0.5313	0.594
SG32P21A-18	SG32P26A-18	SG32P28A-18	18	0.5625	0.625
SG32P21A-20	SG32P26A-20	SG32P28A-20	20	0.6250	0.688
SG32P21A-22	SG32P26A-22	SG32P28A-22	22	0.6875	0.750
SG32P21A-24	SG32P26A-24	SG32P28A-24	24	0.7500	0.813
SG32P21A-25	SG32P26A-25	SG32P28A-25	25	0.7813	0.844
SG32P21A-26	SG32P26A-26	SG32P28A-26	26	0.8125	0.875
SG32P21A-28	SG32P26A-28	SG32P28A-28	28	0.8750	0.938
SG32P21A-30	SG32P26A-30	SG32P28A-30	30	0.9375	1.000
SG32P21A-32	SG32P26A-32	SG32P28A-32	32	1.0000	1.063
SG32P21A-35	SG32P26A-35	SG32P28A-35	35	1.0938	1.156
SG32P21A-36	SG32P26A-36	SG32P28A-36	36	1.1250	1.188
SG32P21A-40	SG32P26A-40	SG32P28A-40	40	1.2500	1.313
SG32P21A-45	SG32P26A-45	SG32P28A-45	45	1.4063	1.469
SG32P21A-48	SG32P26A-48	SG32P28A-48	48	1.5000	1.563
SG32P21A-50	SG32P26A-50	SG32P28A-50	50	1.5625	1.625
SG32P21A-52	SG32P26A-52	SG32P28A-52	52	1.6250	1.688
SG32P21A-55	SG32P26A-55	SG32P28A-55	55	1.7188	1.781
SG32P21A-56	SG32P26A-56	SG32P28A-56	56	1.7500	1.813

▲ Teeth cut into hub. Hub diameter may equal O.D.

Continued on next page

**Materials:**

Aluminum - Anodized, 303 Stainless Steel

**On Request:**

14-1/2° Pressure Angle - additional number of teeth.

Customized or custom versions can be produced with accurate deliveries.

Please call us with your needs.

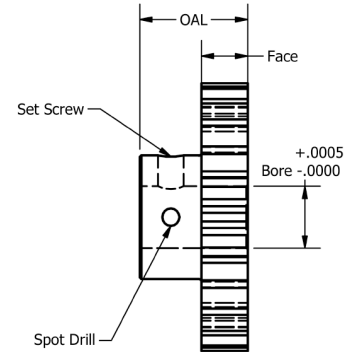
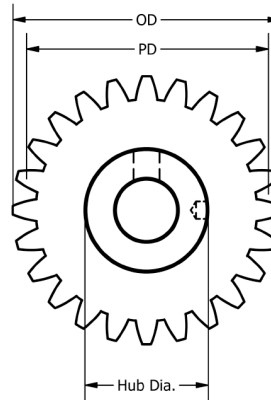
**SGP-A/S**  
**32 Pitch**

# GEARS

**SGP-A/S**  
**32 Pitch**

## 32 Pitch Precision Spur Gears - Set Screw Hub

Aluminum, Stainless Steel, AGMA Quality 10, 20° Pressure Angle



Part Number			No. of Teeth	Pitch Dia. PD	Outside Dia. OD
Aluminum, Anodized					
0.1873 Bore 3/16" Face 3/8" HD 13/32" OAL #4-40 Screw	0.2498 Bore 1/8" Face 1/2" HD 3/8" OAL #6-32 Screw	0.2498 Bore 3/16" Face 1/2" HD 7/16" OAL #6-32 Screw			
SG32P21A-60	SG32P26A-60	SG32P28A-60	60	1.8750	1.938
SG32P21A-64	SG32P26A-64	SG32P28A-64	64	2.0000	2.063
SG32P21A-65	SG32P26A-65	SG32P28A-65	65	2.0313	2.094
SG32P21A-68	SG32P26A-68	SG32P28A-68	68	2.1250	2.188
SG32P21A-70	SG32P26A-70	SG32P28A-70	70	2.1875	2.250
SG32P21A-72	SG32P26A-72	SG32P28A-72	72	2.2500	2.313
SG32P21A-75	SG32P26A-75	SG32P28A-75	75	2.3438	2.406
SG32P21A-80	SG32P26A-80	SG32P28A-80	80	2.5000	2.563
SG32P21A-84	SG32P26A-84	SG32P28A-84	84	2.6250	2.688
SG32P21A-85	SG32P26A-85	SG32P28A-85	85	2.6563	2.719
SG32P21A-88	SG32P26A-88	SG32P28A-88	88	2.7500	2.813
SG32P21A-90	SG32P26A-90	SG32P28A-90	90	2.8125	2.875
SG32P21A-92	SG32P26A-92	SG32P28A-92	92	2.8750	2.938
SG32P21A-95	SG32P26A-95	SG32P28A-95	95	2.9688	3.031
SG32P21A-96	SG32P26A-96	SG32P28A-96	96	3.0000	3.063
SG32P21A-100	SG32P26A-100	SG32P28A-100	100	3.1250	3.188
SG32P21A-104	SG32P26A-104	SG32P28A-104	104	3.2500	3.313
SG32P21A-108	SG32P26A-108	SG32P28A-108	108	3.3750	3.438
SG32P21A-112	SG32P26A-112	SG32P28A-112	112	3.5000	3.563
SG32P21A-116	SG32P26A-116	SG32P28A-116	116	3.6250	3.688
SG32P21A-120	SG32P26A-120	SG32P28A-120	120	3.7500	3.813
SG32P21A-128	SG32P26A-128	SG32P28A-128	128	4.0000	4.063

▲ Teeth cut into hub. Hub diameter may equal O.D.

**Materials:**

Aluminum - Anodized, 303 Stainless Steel

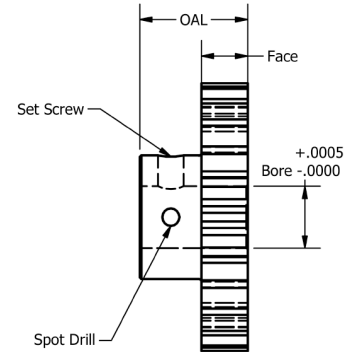
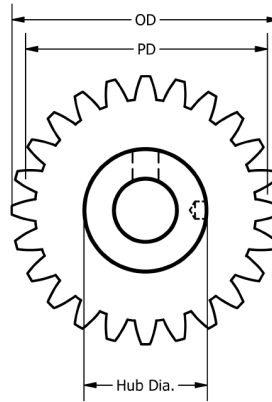
**On Request:**

14-1/2° Pressure Angle - additional number of teeth.

Customized or custom versions can be produced with accurate deliveries. Please call us with your needs.

## 32 Pitch Precision Spur Gears - Set Screw Hub

Aluminum, Stainless Steel, AGMA Quality 10, 20° Pressure Angle



Part Number				No. of Teeth	Pitch Dia. PD	Outside Dia. OD
303 Stainless Steel						
0.1873 Bore 3/16" Face 3/8" HD 13/32" OAL #4-40 Screw	0.2498 Bore 1/8" Face 1/2" HD 3/8" OAL #6-32 Screw	0.2498 Bore 3/16" Face 1/2" HD 7/16" OAL #6-32 Screw	0.3750 Bore 3/8" Face 3/4" HD 3/4" OAL #10-32" Screw			
SG32P215-12▲	---	---	---	12	0.3750	0.438
SG32P215-15	---	---	---	15	0.4688	0.531
SG32P215-16	---	---	---	16	0.5000	0.563
SG32P215-17	---	---	---	17	0.5313	0.594
SG32P215-18	SG32P265-18	SG32P285-18	---	18	0.5625	0.625
SG32P215-20	SG32P265-20	SG32P285-20	SG32P345-20▲	20	0.6250	0.688
SG32P215-22	SG32P265-22	SG32P285-22	SG32P345-22▲	22	0.6875	0.750
SG32P215-24	SG32P265-24	SG32P285-24	SG32P345-24▲	24	0.7500	0.813
SG32P215-25	SG32P265-25	SG32P285-25	SG32P345-25	25	0.7813	0.844
SG32P215-26	SG32P265-26	SG32P285-26	SG32P345-26	26	0.8125	0.875
SG32P215-28	SG32P265-28	SG32P285-28	SG32P345-28	28	0.8750	0.938
SG32P215-30	SG32P265-30	SG32P285-30	SG32P345-30	30	0.9375	1.000
SG32P215-32	SG32P265-32	SG32P285-32	SG32P345-32	32	1.0000	1.063
SG32P215-35	SG32P265-35	SG32P285-35	SG32P345-35	35	1.0938	1.156
SG32P215-36	SG32P265-36	SG32P285-36	SG32P345-36	36	1.1250	1.188
SG32P215-40	SG32P265-40	SG32P285-40	SG32P345-40	40	1.2500	1.313
SG32P215-45	SG32P265-45	SG32P285-45	SG32P345-45	45	1.4063	1.469
SG32P215-48	SG32P265-48	SG32P285-48	SG32P345-48	48	1.5000	1.563
SG32P215-50	SG32P265-50	SG32P285-50	SG32P345-50	50	1.5625	1.625
SG32P215-52	SG32P265-52	SG32P285-52	SG32P345-52	52	1.6250	1.688
SG32P215-55	SG32P265-55	SG32P285-55	SG32P345-55	55	1.7188	1.781
SG32P215-56	SG32P265-56	SG32P285-56	SG32P345-56	56	1.7500	1.813

▲ Teeth cut into hub. Hub diameter may equal O.D.

Continued on next page

**Materials:**

Aluminum - Anodized, 303 Stainless Steel

**On Request:**

14-1/2° Pressure Angle - additional number of teeth.

Customized or custom versions can be produced with accurate deliveries. Please call us with your needs.

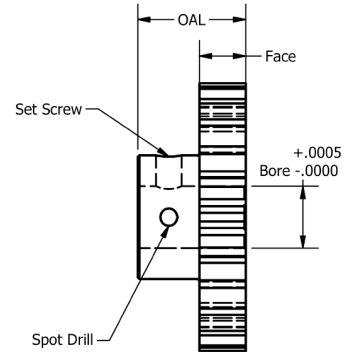
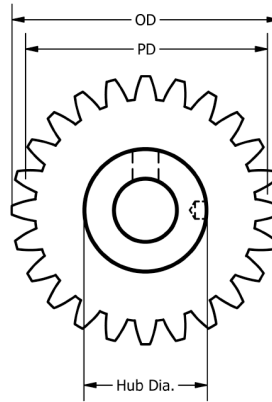
**SGP-A/S**  
**32 Pitch**

# GEARS

**SGP-A/S**  
**32 Pitch**

## 32 Pitch Precision Spur Gears - Set Screw Hub

Aluminum, Stainless Steel, AGMA Quality 10, 20° Pressure Angle



Part Number				No. of Teeth	Pitch Dia. PD	Outside Dia. OD
303 Stainless Steel						
0.1873 Bore 3/16" Face 3/8" HD 13/32" OAL #4-40 Screw	0.2498 Bore 1/8" Face 1/2" HD 3/8" OAL #6-32 Screw	0.2498 Bore 3/16" Face 1/2" HD 7/16" OAL #6-32 Screw	0.3750 Bore 3/8" Face 3/4" HD 3/4" OAL #10-32" Screw			
SG32P215-60	SG32P265-60	SG32P285-60	SG32P345-60	60	1.8750	1.937
SG32P215-64	SG32P265-64	SG32P285-64	SG32P345-64	64	2.0000	2.062
SG32P215-65	SG32P265-65	SG32P285-65	SG32P345-65	65	2.0313	2.093
SG32P215-68	SG32P265-68	SG32P285-68	SG32P345-68	68	2.1250	2.187
SG32P215-70	SG32P265-70	SG32P285-70	SG32P345-70	70	2.1875	2.250
SG32P215-72	SG32P265-72	SG32P285-72	SG32P345-72	72	2.2500	2.312
SG32P215-75	SG32P265-75	SG32P285-75	SG32P345-75	75	2.3438	2.406
SG32P215-80	SG32P265-80	SG32P285-80	SG32P345-80	80	2.5000	2.562
SG32P215-84	SG32P265-84	SG32P285-84	SG32P345-84	84	2.6250	2.687
SG32P215-85	SG32P265-85	SG32P285-85	SG32P345-85	85	2.6563	2.718
SG32P215-88	SG32P265-88	SG32P285-88	SG32P345-88	88	2.7500	2.812
SG32P215-90	SG32P265-90	SG32P285-90	SG32P345-90	90	2.8125	2.875
SG32P215-92	SG32P265-92	SG32P285-92	SG32P345-92	92	2.8750	2.937
SG32P215-95	SG32P265-95	SG32P285-95	SG32P345-95	95	2.9688	3.031
SG32P215-96	SG32P265-96	SG32P285-96	SG32P345-96	96	3.0000	3.062
SG32P215-100	SG32P265-100	SG32P285-100	SG32P345-100	100	3.1250	3.187
SG32P215-104	SG32P265-104	SG32P285-104	SG32P345-104	104	3.2500	3.312
SG32P215-108	SG32P265-108	SG32P285-108	SG32P345-108	108	3.3750	3.437
SG32P215-112	SG32P265-112	SG32P285-112	SG32P345-112	112	3.5000	3.562
SG32P215-116	SG32P265-116	SG32P285-116	SG32P345-116	116	3.6250	3.687
SG32P215-120	SG32P265-120	SG32P285-120	SG32P345-120	120	3.7500	3.812
SG32P215-128	SG32P265-128	SG32P285-128	SG32P345-128	128	4.0000	4.062

▲ Teeth cut into hub. Hub diameter may equal O.D.

**Materials:**

Aluminum - Anodized, 303 Stainless Steel

**On Request:**

14-1/2° Pressure Angle - additional number of teeth.

Customized or custom versions can be produced with accurate deliveries. Please call us with your needs.

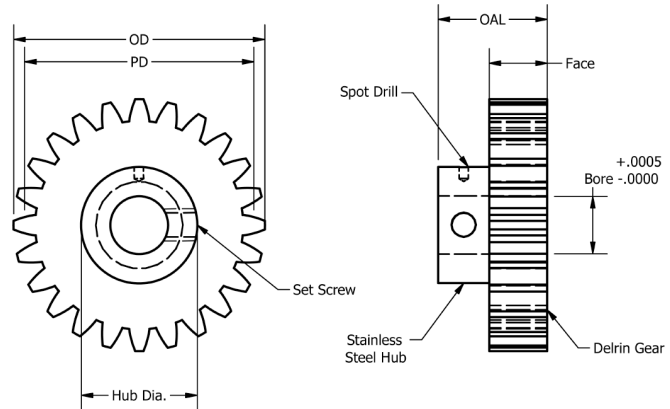
**SGP-XD**  
**32 Pitch**

# GEARS

**SGP-XD**  
**32 Pitch**

## 32 Pitch Precision Spur Gears - Set Screw Hub

Delrin with 303 Stainless Hub, AGMA Quality 10, 20° Pressure Angle



Part Number		No. of Teeth	Pitch Dia. PD	Outside Dia. OD
Delrin Gear with 303 Stainless Hub				
0.1873 Bore 3/16" Face 1/2" HD 7/16" OAL #6-32 Screw	0.2498 Bore 3/16" Face 1/2" HD 7/16" OAL #6-32 Screw			
SG32P21XD-20	SG32P28XD-20	20	0.6250	0.688
SG32P21XD-22	SG32P28XD-22	22	0.6875	0.750
SG32P21XD-24	SG32P28XD-24	24	0.7500	0.813
SG32P21XD-25	SG32P28XD-25	25	0.7813	0.844
SG32P21XD-26	SG32P28XD-26	26	0.8125	0.875
SG32P21XD-28	SG32P28XD-28	28	0.8750	0.938
SG32P21XD-30	SG32P28XD-30	30	0.9375	1.000
SG32P21XD-32	SG32P28XD-32	32	1.0000	1.063
SG32P21XD-35	SG32P28XD-35	35	1.0938	1.156
SG32P21XD-36	SG32P28XD-36	36	1.1250	1.188
SG32P21XD-40	SG32P28XD-40	40	1.2500	1.313
SG32P21XD-42	SG32P28XD-42	42	1.3125	1.375
SG32P21XD-44	SG32P28XD-44	44	1.3750	1.438
SG32P21XD-45	SG32P28XD-45	45	1.4062	1.469
SG32P21XD-50	SG32P28XD-50	50	1.5625	1.625
SG32P21XD-52	SG32P28XD-52	52	1.6250	1.688
SG32P21XD-56	SG32P28XD-56	56	1.7500	1.813
SG32P21XD-60	SG32P28XD-60	60	1.8750	1.938
SG32P21XD-64	SG32P28XD-64	64	2.0000	2.063
SG32P21XD-72	SG32P28XD-72	72	2.2500	2.313
SG32P21XD-80	SG32P28XD-80	80	2.5000	2.563
SG32P21XD-88	SG32P28XD-88	88	2.7500	2.813
SG32P21XD-96	SG32P28XD-96	96	3.0000	3.063
SG32P21XD-112	SG32P28XD-112	112	3.5000	3.563

**Materials:**

Aluminum - Anodized, 303 Stainless Steel

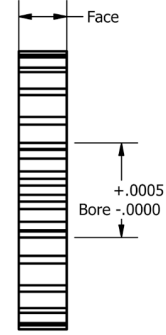
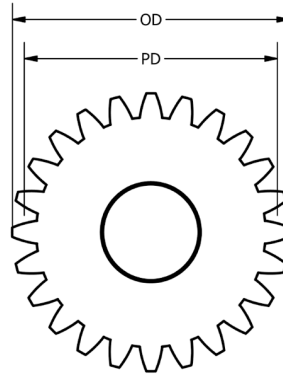
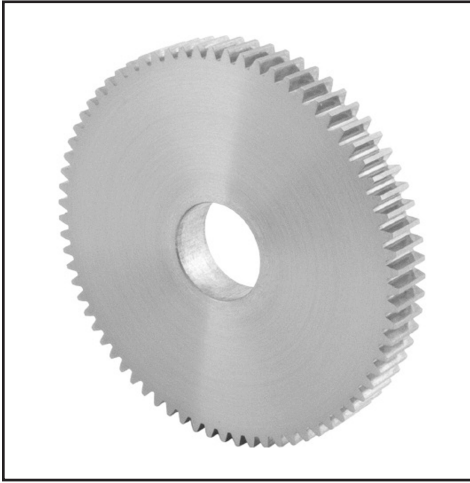
**On Request:**

14-1/2° Pressure Angle - additional number of teeth.

Customized or custom versions can be produced with accurate deliveries. Please call us with your needs.

## 32 Pitch Precision Spur Gears - Flat

Aluminum, Stainless Steel, Delrin, AGMA Quality 10, 20° Pressure Angle



Part Number					No. of Teeth	Pitch Dia. PD	Outside Dia. OD
Aluminum		Stainless Steel		Delrin			
0.3748 Bore 0.125 Face	0.3748 Bore 0.250 Face	0.3748 Bore 0.125 Face	0.3748 Bore 0.250 Face	0.3748 Bore 0.187 Face			
SG32F3A-20	---	SG32F3S-20	---	SG32F5D-20	20	0.6250	0.688
SG32F3A-24	---	SG32F3S-24	---	SG32F5D-24	24	0.7500	0.813
SG32F3A-26	---	SG32F3S-26	---	SG32F5D-26	26	0.8125	0.875
SG32F3A-28	---	SG32F3S-28	---	SG32F5D-28	28	0.8750	0.938
SG32F3A-30	---	SG32F3S-30	---	SG32F5D-30	30	0.9375	1.000
SG32F3A-32	SG32F6A-32	SG32F3S-32	SG32F6S-32	SG32F5D-32	32	1.0000	1.063
SG32F3A-35	SG32F6A-35	SG32F3S-35	SG32F6S-35	SG32F5D-35	35	1.0938	1.156
SG32F3A-36	SG32F6A-36	SG32F3S-36	SG32F6S-36	SG32F5D-36	36	1.1250	1.188
SG32F3A-40	SG32F6A-40	SG32F3S-40	SG32F6S-40	SG32F5D-40	40	1.2500	1.313
SG32F3A-45	SG32F6A-45	SG32F3S-45	SG32F6S-45	SG32F5D-45	45	1.4063	1.469
SG32F3A-48	SG32F6A-48	SG32F3S-48	SG32F6S-48	SG32F5D-48	48	1.5000	1.563
SG32F3A-50	SG32F6A-50	SG32F3S-50	SG32F6S-50	SG32F5D-50	50	1.5625	1.625
SG32F3A-52	SG32F6A-52	SG32F3S-52	SG32F6S-52	SG32F5D-52	52	1.6250	1.688
SG32F3A-55	SG32F6A-55	SG32F3S-55	SG32F6S-55	SG32F5D-55	55	1.7188	1.781
SG32F3A-56	SG32F6A-56	SG32F3S-56	SG32F6S-56	SG32F5D-56	56	1.7500	1.813
SG32F3A-60	SG32F6A-60	SG32F3S-60	SG32F6S-60	SG32F5D-60	60	1.8750	1.938
SG32F3A-64	SG32F6A-64	SG32F3S-64	SG32F6S-64	SG32F5D-64	64	2.0000	2.063
SG32F3A-65	SG32F6A-65	SG32F3S-65	SG32F6S-65	SG32F5D-65	65	2.0313	2.094
SG32F3A-68	SG32F6A-68	SG32F3S-68	SG32F6S-68	SG32F5D-68	68	2.1250	2.188

Continued on next page

**Materials:**

Aluminum - Anodized, 303 Stainless Steel, Delrin

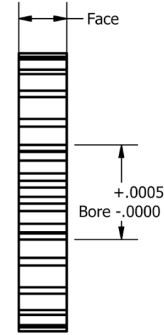
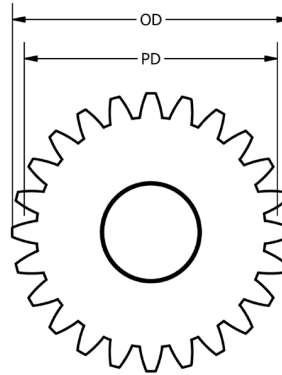
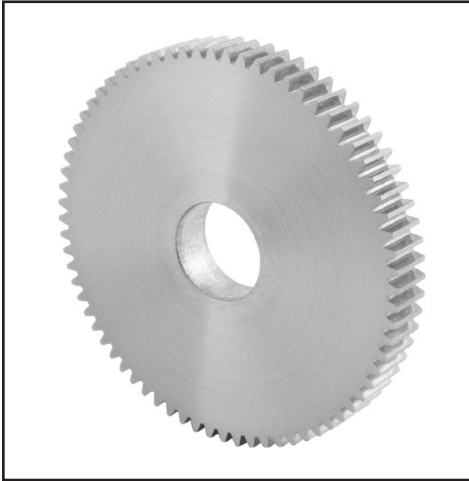
**On Request:**

14-1/2° Pressure Angle - additional number of teeth.

Customized or custom versions can be produced with accurate deliveries.  
Please call us with your needs.

## 32 Pitch Precision Spur Gears - Flat

Aluminum, Stainless Steel, Delrin, AGMA Quality 10, 20° Pressure Angle



Part Number					No. of Teeth	Pitch Dia. PD	Outside Dia. OD
Aluminum		Stainless Steel		Delrin			
0.3748 Bore 0.125 Face	0.3748 Bore 0.250 Face	0.3748 Bore 0.125 Face	0.3748 Bore 0.250 Face	0.3748 Bore 0.187 Face			
SG32F3A-70	SG32F6A-70	SG32F3S-70	SG32F6S-70	SG32F5D-70	70	2.1875	2.250
SG32F3A-72	SG32F6A-72	SG32F3S-72	SG32F6S-72	SG32F5D-72	72	2.2500	2.313
SG32F3A-75	SG32F6A-75	SG32F3S-75	SG32F6S-75	SG32F5D-75	75	2.3438	2.406
SG32F3A-80	SG32F6A-80	SG32F3S-80	SG32F6S-80	SG32F5D-80	80	2.5000	2.563
SG32F3A-84	SG32F6A-84	SG32F3S-84	SG32F6S-84	SG32F5D-84	84	2.6250	2.688
SG32F3A-85	SG32F6A-85	SG32F3S-85	SG32F6S-85	SG32F5D-85	85	2.6563	2.719
SG32F3A-88	SG32F6A-88	SG32F3S-88	SG32F6S-88	SG32F5D-88	88	2.7500	2.813
SG32F3A-90	SG32F6A-90	SG32F3S-90	SG32F6S-90	SG32F5D-90	90	2.8125	2.875
SG32F3A-92	SG32F6A-92	SG32F3S-92	SG32F6S-92	SG32F5D-92	92	2.8750	2.938
SG32F3A-95	SG32F6A-95	SG32F3S-95	SG32F6S-95	SG32F5D-95	95	2.9688	3.031
SG32F3A-96	SG32F6A-96	SG32F3S-96	SG32F6S-96	SG32F5D-96	96	3.0000	3.063
SG32F3A-100	SG32F6A-100	SG32F3S-100	SG32F6S-100	SG32F5D-100	100	3.1250	3.188
SG32F3A-104	SG32F6A-104	SG32F3S-104	SG32F6S-104	SG32F5D-104	104	3.2500	3.313
SG32F3A-108	SG32F6A-108	SG32F3S-108	SG32F6S-108	SG32F5D-108	108	3.3750	3.438
SG32F3A-112	SG32F6A-112	SG32F3S-112	SG32F6S-112	SG32F5D-112	112	3.5000	3.563
SG32F3A-116	SG32F6A-116	SG32F3S-116	SG32F6S-116	SG32F5D-116	116	3.6250	3.688
SG32F3A-120	SG32F6A-120	SG32F3S-120	SG32F6S-120	SG32F5D-120	120	3.7500	3.813
SG32F3A-128	SG32F6A-128	SG32F3S-128	SG32F6S-128	---	128	4.0000	4.063
SG32F3A-132	SG32F6A-132	SG32F3S-132	SG32F6S-132	---	132	4.1250	4.188

**Materials:**

Aluminum - Anodized, 303 Stainless Steel, Delrin

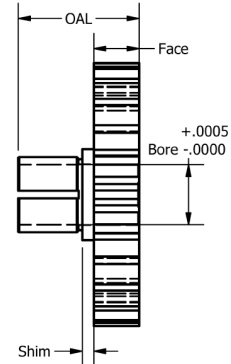
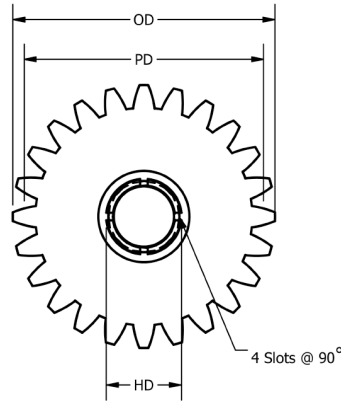
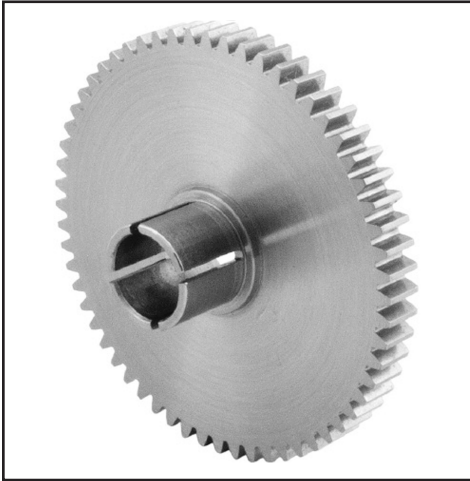
**On Request:**

14-1/2° Pressure Angle - additional number of teeth.

Customized or custom versions can be produced with accurate deliveries. Please call us with your needs.

## 32 Pitch Precision Spur Gears - Split Hub

Aluminum, Stainless Steel, AGMA Quality 10, 20° Pressure Angle



Part Number			No. of Teeth	Pitch Dia. PD	Outside Dia. OD
Aluminum	Stainless Steel				
0.2498 Bore 0.125 Face 0.312 HD 0.406 OAL SH1-2825.313S Clamp	0.2498 Bore 0.125 Face 0.312 HD 0.406 OAL SH1-2825.313S Clamp	0.2498 Bore 0.187 Face 0.312 HD 0.500 OAL SH1-2825.313S Clamp			
SG32C18A-14	SG32C18S-14	SG32C20S-14	14	0.4375	0.500
SG32C18A-15	SG32C18S-15	SG32C20S-15	15	0.4688	0.531
SG32C18A-16	SG32C18S-16	SG32C20S-16	16	0.5000	0.563
SG32C18A-17	SG32C18S-17	SG32C20S-17	17	0.5313	0.594
SG32C18A-18	SG32C18S-18	SG32C20S-18	18	0.5625	0.625
SG32C18A-19	SG32C18S-19	SG32C20S-19	19	0.5938	0.656
SG32C18A-20	SG32C18S-20	SG32C20S-20	20	0.6250	0.688
SG32C18A-22	SG32C18S-22	SG32C20S-22	22	0.6875	0.750
SG32C18A-24	SG32C18S-24	SG32C20S-24	24	0.7500	0.813
SG32C18A-25	SG32C18S-25	SG32C20S-25	25	0.7813	0.844
SG32C18A-26	SG32C18S-26	SG32C20S-26	26	0.8125	0.875
SG32C18A-28	SG32C18S-28	SG32C20S-28	28	0.8750	0.938
SG32C18A-30	SG32C18S-30	SG32C20S-30	30	0.9375	1.000
SG32C18A-32	SG32C18S-32	SG32C20S-32	32	1.0000	1.063
SG32C18A-34	SG32C18S-34	SG32C20S-34	34	1.0625	1.125
SG32C18A-36	SG32C18S-36	SG32C20S-36	36	1.1250	1.188
SG32C18A-38	SG32C18S-38	SG32C20S-38	38	1.1875	1.250
SG32C18A-40	SG32C18S-40	SG32C20S-40	40	1.2500	1.313
SG32C18A-45	SG32C18S-45	SG32C20S-45	45	1.4063	1.469

Continued on next page

**Materials:**

Aluminum - Anodized, 303 Stainless Steel

**On Request:**

14-1/2° Pressure Angle - additional number of teeth.

Customized or custom versions can be produced with accurate deliveries. Please call us with your needs.



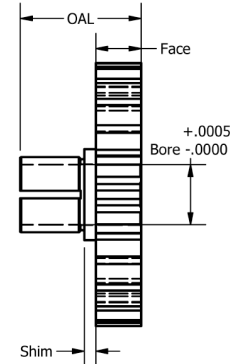
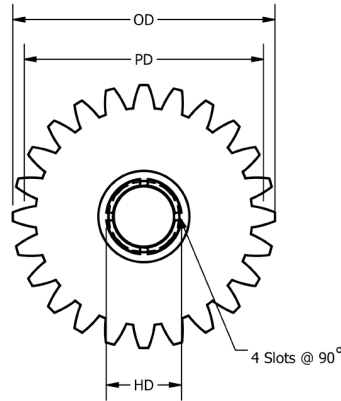
**SGC-A/S**  
**32 Pitch**

# GEARS

**SGC-A/S**  
**32 Pitch**

## 32 Pitch Precision Spur Gears - Split Hub

Aluminum, Stainless Steel, AGMA Quality 10, 20° Pressure Angle



Part Number			No. of Teeth	Pitch Dia. PD	Outside Dia. OD
Aluminum	Stainless Steel				
0.2498 Bore 0.125 Face 0.312 HD 0.406 OAL SH1-2825.313S Clamp	0.2498 Bore 0.125 Face 0.312 HD 0.406 OAL SH1-2825.313S Clamp	0.2498 Bore 0.187 Face 0.312 HD 0.500 OAL SH1-2825.313S Clamp			
SG32C18A-48	SG32C18S-48	SG32C20S-48	48	1.5000	1.563
SG32C18A-50	SG32C18S-50	SG32C20S-50	50	1.5625	1.625
SG32C18A-54	SG32C18S-54	SG32C20S-54	54	1.6875	1.750
SG32C18A-55	SG32C18S-55	SG32C20S-55	55	1.7188	1.781
SG32C18A-56	SG32C18S-56	SG32C20S-56	56	1.7500	1.813
SG32C18A-60	SG32C18S-60	SG32C20S-60	60	1.8750	1.938
SG32C18A-64	SG32C18S-64	SG32C20S-64	64	2.0000	2.063
SG32C18A-65	SG32C18S-65	SG32C20S-65	65	2.0313	2.094
SG32C18A-68	SG32C18S-68	SG32C20S-68	68	2.1250	2.188
SG32C18A-70	SG32C18S-70	SG32C20S-70	70	2.1875	2.250
SG32C18A-72	SG32C18S-72	SG32C20S-72	72	2.2500	2.313
SG32C18A-76	SG32C18S-76	SG32C20S-76	76	2.3750	2.438
SG32C18A-80	SG32C18S-80	SG32C20S-80	80	2.5000	2.563
SG32C18A-88	SG32C18S-88	SG32C20S-88	88	2.7500	2.813
SG32C18A-90	SG32C18S-90	SG32C20S-90	90	2.8125	2.875
SG32C18A-96	SG32C18S-96	SG32C20S-96	96	3.0000	3.063
SG32C18A-112	SG32C18S-112	SG32C20S-112	112	3.5000	3.563
SG32C18A-128	SG32C18S-128	SG32C20S-128	128	4.0000	4.063
SG32C18A-132	SG32C18S-132	SG32C20S-132	132	4.1250	4.188

**Materials:**

Aluminum - Anodized, 303 Stainless Steel

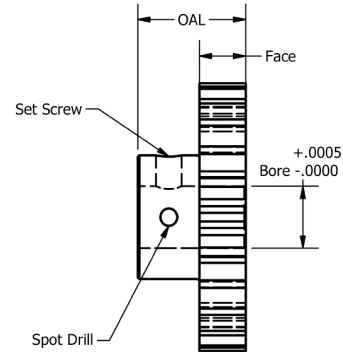
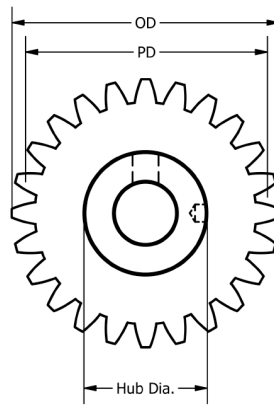
**On Request:**

14-1/2° Pressure Angle - additional number of teeth.

Customized or custom versions can be produced with accurate deliveries. Please call us with your needs.

## 48 Pitch Precision Spur Gears - Set Screw Hub

Aluminum - Anodized, AGMA Quality 10, 20° Pressure Angle



Part Number					No. of Teeth	Pitch Dia. PD	Outside Dia. OD
0.1248 Bore 0.125 Face 0.313 HD 0.313 OAL #2-56 Screw	0.1873 Bore 0.125 Face 0.375 HD 0.344 OAL #4-40 Screw	0.1873 Bore 0.188 Face 0.375 HD 0.406 OAL #4-40 Screw	0.2498 Bore 0.125 Face 0.500 HD 0.375 OAL #6-32 Screw	0.2498 Bore 0.188 Face 0.500 HD 0.438 OAL #6-32 Screw			
SG48P10A-15 ▲	---	---	---	---	15	0.3125	0.354
SG48P10A-16 ▲	---	---	---	---	16	0.3333	0.375
SG48P10A-18	---	---	---	---	18	0.3750	0.417
SG48P10A-19	SG48P19A-19 ▲	SG48P21A-19 ▲	---	---	19	0.3958	0.438
SG48P10A-20	SG48P19A-20	SG48P21A-20	---	---	20	0.4167	0.458
SG48P10A-21	SG48P19A-21	SG48P21A-21	---	---	21	0.4375	0.479
SG48P10A-22	SG48P19A-22	SG48P21A-22	---	---	22	0.4583	0.500
SG48P10A-23	SG48P19A-23	SG48P21A-23	SG48P26A-23 ▲	SG48P28A-23 ▲	23	0.4792	0.521
SG48P10A-24	SG48P19A-24	SG48P21A-24	SG48P26A-24 ▲	SG48P28A-24 ▲	24	0.5000	0.542
SG48P10A-25	SG48P19A-25	SG48P21A-25	SG48P26A-25 ▲	SG48P28A-25 ▲	25	0.5208	0.563
SG48P10A-26	SG48P19A-26	SG48P21A-26	SG48P26A-26	SG48P28A-26	26	0.5417	0.583
SG48P10A-28	SG48P19A-28	SG48P21A-28	SG48P26A-28	SG48P28A-28	28	0.5833	0.625
SG48P10A-30	SG48P19A-30	SG48P21A-30	SG48P26A-30	SG48P28A-30	30	0.6250	0.667
SG48P10A-32	SG48P19A-32	SG48P21A-32	SG48P26A-32	SG48P28A-32	32	0.6667	0.708
SG48P10A-34	SG48P19A-34	SG48P21A-34	SG48P26A-34	SG48P28A-34	34	0.7083	0.750
SG48P10A-35	SG48P19A-35	SG48P21A-35	SG48P26A-35	SG48P28A-35	35	0.7292	0.771
SG48P10A-36	SG48P19A-36	SG48P21A-36	SG48P26A-36	SG48P28A-36	36	0.7500	0.792
SG48P10A-38	SG48P19A-38	SG48P21A-38	SG48P26A-38	SG48P28A-38	38	0.7917	0.833
SG48P10A-40	SG48P19A-40	SG48P21A-40	SG48P26A-40	SG48P28A-40	40	0.8333	0.875
SG48P10A-42	SG48P19A-42	SG48P21A-42	SG48P26A-42	SG48P28A-42	42	0.8750	0.917
SG48P10A-44	SG48P19A-44	SG48P21A-44	SG48P26A-44	SG48P28A-44	44	0.9167	0.958
SG48P10A-45	SG48P19A-45	SG48P21A-45	SG48P26A-45	SG48P28A-45	45	0.9375	0.979
SG48P10A-46	SG48P19A-46	SG48P21A-46	SG48P26A-46	SG48P28A-46	46	0.9583	1.000
SG48P10A-48	SG48P19A-48	SG48P21A-48	SG48P26A-48	SG48P28A-48	48	1.0000	1.042
SG48P10A-50	SG48P19A-50	SG48P21A-50	SG48P26A-50	SG48P28A-50	50	1.0417	1.083
SG48P10A-52	SG48P19A-52	SG48P21A-52	SG48P26A-52	SG48P28A-52	52	1.0833	1.125
SG48P10A-54	SG48P19A-54	SG48P21A-54	SG48P26A-54	SG48P28A-54	54	1.1250	1.167
SG48P10A-55	SG48P19A-55	SG48P21A-55	SG48P26A-55	SG48P28A-55	55	1.1458	1.188
SG48P10A-56	SG48P19A-56	SG48P21A-56	SG48P26A-56	SG48P28A-56	56	1.1667	1.208

▲ Teeth cut into hub. Hub diameter may equal O.D.

Continued on next page

**Materials:**

Aluminum - anodized

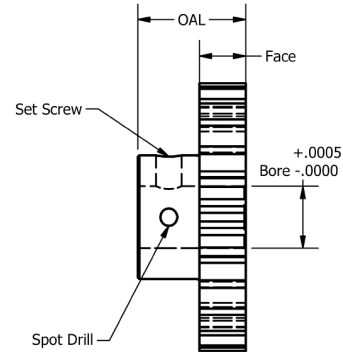
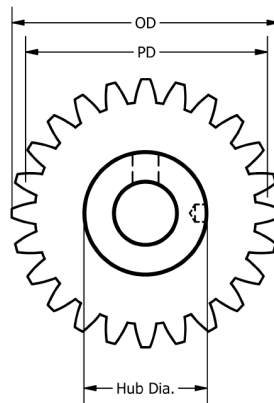
**On Request:**

14-1/2° Pressure Angle - additional number of teeth.

Customized or custom versions can be produced with accurate deliveries. Please call us with your needs.

## 48 Pitch Precision Spur Gears - Set Screw Hub

Aluminum - Anodized, AGMA Quality 10, 20° Pressure Angle



Part Number					No. of Teeth	Pitch Dia. PD	Outside Dia. OD
0.1248 Bore 0.125 Face 0.313 HD 0.313 OAL #2-56 Screw	0.1873 Bore 0.125 Face 0.375 HD 0.344 OAL #4-40 Screw	0.1873 Bore 0.188 Face 0.375 HD 0.406 OAL #4-40 Screw	0.2498 Bore 0.125 Face 0.500 HD 0.375 OAL #6-32 Screw	0.2498 Bore 0.188 Face 0.500 HD 0.438 OAL #6-32 Screw			
SG48P10A-58	SG48P19A-58	SG48P21A-58	SG48P26A-58	SG48P28A-58	58	1.2083	1.250
SG48P10A-60	SG48P19A-60	SG48P21A-60	SG48P26A-60	SG48P28A-60	60	1.2500	1.292
SG48P10A-62	SG48P19A-62	SG48P21A-62	SG48P26A-62	SG48P28A-62	62	1.2917	1.333
SG48P10A-64	SG48P19A-64	SG48P21A-64	SG48P26A-64	SG48P28A-64	64	1.3333	1.375
SG48P10A-65	SG48P19A-65	SG48P21A-65	SG48P26A-65	SG48P28A-65	65	1.3542	1.396
SG48P10A-66	SG48P19A-66	SG48P21A-66	SG48P26A-66	SG48P28A-66	66	1.3750	1.417
SG48P10A-68	SG48P19A-68	SG48P21A-68	SG48P26A-68	SG48P28A-68	68	1.4167	1.458
SG48P10A-70	SG48P19A-70	SG48P21A-70	SG48P26A-70	SG48P28A-70	70	1.4583	1.500
SG48P10A-72	SG48P19A-72	SG48P21A-72	SG48P26A-72	SG48P28A-72	72	1.5000	1.542
SG48P10A-74	SG48P19A-74	SG48P21A-74	SG48P26A-74	SG48P28A-74	74	1.5417	1.583
SG48P10A-75	SG48P19A-75	SG48P21A-75	SG48P26A-75	SG48P28A-75	75	1.5625	1.604
SG48P10A-76	SG48P19A-76	SG48P21A-76	SG48P26A-76	SG48P28A-76	76	1.5833	1.625
SG48P10A-78	SG48P19A-78	SG48P21A-78	SG48P26A-78	SG48P28A-78	78	1.6250	1.667
SG48P10A-80	SG48P19A-80	SG48P21A-80	SG48P26A-80	SG48P28A-80	80	1.6667	1.708
SG48P10A-84	SG48P19A-84	SG48P21A-84	SG48P26A-84	SG48P28A-84	84	1.7500	1.792
SG48P10A-85	SG48P19A-85	SG48P21A-85	SG48P26A-85	SG48P28A-85	85	1.7708	1.813
SG48P10A-90	SG48P19A-90	SG48P21A-90	SG48P26A-90	SG48P28A-90	90	1.8750	1.917
SG48P10A-95	SG48P19A-95	SG48P21A-95	SG48P26A-95	SG48P28A-95	95	1.9792	2.021
SG48P10A-96	SG48P19A-96	SG48P21A-96	SG48P26A-96	SG48P28A-96	96	2.0000	2.042
SG48P10A-100	SG48P19A-100	SG48P21A-100	SG48P26A-100	SG48P28A-100	100	2.0833	2.125
SG48P10A-105	SG48P19A-105	SG48P21A-105	SG48P26A-105	SG48P28A-105	105	2.1875	2.229
SG48P10A-108	SG48P19A-108	SG48P21A-108	SG48P26A-108	SG48P28A-108	108	2.2500	2.292
SG48P10A-110	SG48P19A-110	SG48P21A-110	SG48P26A-110	SG48P28A-110	110	2.2917	2.333
SG48P10A-120	SG48P19A-120	SG48P21A-120	SG48P26A-120	SG48P28A-120	120	2.5000	2.542
---	SG48P19A-132	SG48P21A-132	SG48P26A-132	SG48P28A-132	132	2.7500	2.792
---	SG48P19A-144	SG48P21A-144	SG48P26A-144	SG48P28A-144	144	3.0000	3.042
---	SG48P19A-156	SG48P21A-156	SG48P26A-156	SG48P28A-156	156	3.2500	3.292
---	SG48P19A-168	SG48P21A-168	SG48P26A-168	SG48P28A-168	168	3.5000	3.542
---	SG48P19A-192	SG48P21A-192	SG48P26A-192	SG48P28A-192	192	4.0000	4.042

▲ Teeth cut into hub. Hub diameter may equal O.D.

**Materials:**

Aluminum - anodized

**On Request:**

14-1/2° Pressure Angle - additional number of teeth.

Customized or custom versions can be produced with accurate deliveries. Please call us with your needs.

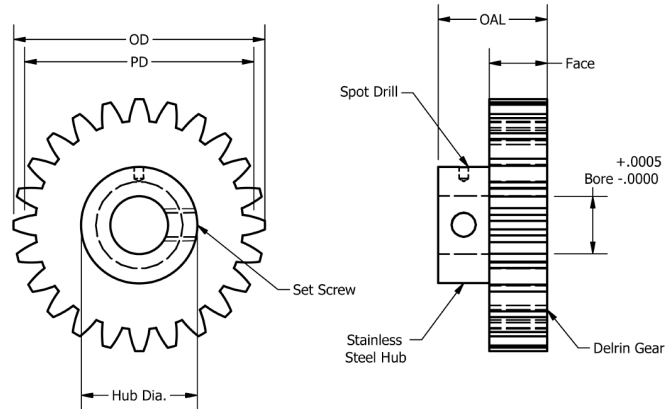
**SGP-XD**  
**48 Pitch**

# GEARS

**SGP-XD**  
**48 Pitch**

## 48 Pitch Precision Spur Gears - Split Hub

Delrin Gear with Stainless Hub, AGMA Quality 10, 20° Pressure Angle



Part Number		No. of Teeth	Pitch Dia. PD	Outside Dia. OD
0.1873 Bore 0.188 Face 0.500 HD 0.438 OAL #6-32 Screw	0.2498 Bore 0.188 Face 0.500 HD 0.438 OAL #6-32 Screw			
SG48P21XD-28	SG48P28XD-28	28	0.5833	0.625
SG48P21XD-30	SG48P28XD-30	30	0.6250	0.667
SG48P21XD-32	SG48P28XD-32	32	0.6667	0.708
SG48P21XD-34	SG48P28XD-34	34	0.7083	0.750
SG48P21XD-35	SG48P28XD-35	35	0.7292	0.771
SG48P21XD-36	SG48P28XD-36	36	0.7500	0.792
SG48P21XD-40	SG48P28XD-40	40	0.8333	0.875
SG48P21XD-42	SG48P28XD-42	42	0.8750	0.917
SG48P21XD-45	SG48P28XD-45	45	0.9375	0.979
SG48P21XD-48	SG48P28XD-48	48	1.0000	1.042
SG48P21XD-50	SG48P28XD-50	50	1.0417	1.083
SG48P21XD-55	SG48P28XD-55	55	1.1458	1.188
SG48P21XD-60	SG48P28XD-60	60	1.2500	1.292
SG48P21XD-64	SG48P28XD-64	64	1.3333	1.375
SG48P21XD-72	SG48P28XD-72	72	1.5000	1.542
SG48P21XD-75	SG48P28XD-75	75	1.5625	1.604
SG48P21XD-80	SG48P28XD-80	80	1.6667	1.708
SG48P21XD-84	SG48P28XD-84	84	1.7500	1.792
SG48P21XD-96	SG48P28XD-96	96	2.0000	2.042
SG48P21XD-120	SG48P28XD-120	120	2.5000	2.542
SG48P21XD-132	SG48P28XD-132	132	2.7500	2.792
SG48P21XD-144	SG48P28XD-144	144	3.0000	3.042

**Materials:**

Delrin gear with 303 Stainless Steel hub.

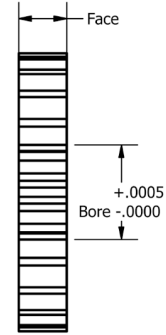
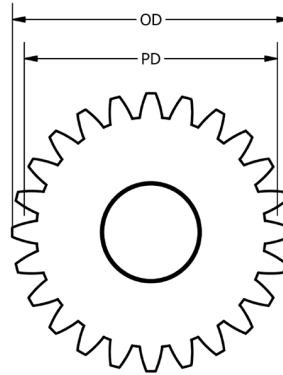
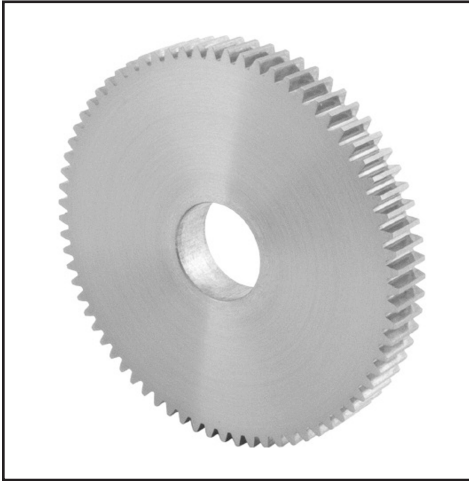
**On Request:**

14-1/2° Pressure Angle - additional number of teeth.

Customized or custom versions can be produced with accurate deliveries. Please call us with your needs.

## 48 Pitch Precision Spur Gears - Flat

Aluminum, Stainless Steel, Delrin, AGMA Quality 10, 20° Pressure Angle



Part Number			No. of Teeth	Pitch Dia. PD	Outside Dia. OD
Aluminum	Stainless Steel	Delrin			
0.3748 Bore 0.125 Face	0.3748 Bore 0.125 Face	0.3748 Bore 0.187 Face			
SG48F3A-30	SG48F3S-30	SG48F5D-30	30	0.6250	0.667
SG48F3A-32	SG48F3S-32	SG48F5D-32	32	0.6667	0.708
SG48F3A-34	SG48F3S-34	SG48F5D-34	34	0.7083	0.750
SG48F3A-35	SG48F3S-35	SG48F5D-35	35	0.7292	0.771
SG48F3A-36	SG48F3S-36	SG48F5D-36	36	0.7500	0.792
SG48F3A-38	SG48F3S-38	SG48F5D-38	38	0.7917	0.833
SG48F3A-40	SG48F3S-40	SG48F5D-40	40	0.8333	0.875
SG48F3A-42	SG48F3S-42	SG48F5D-42	42	0.8750	0.917
SG48F3A-44	SG48F3S-44	SG48F5D-44	44	0.9167	0.958
SG48F3A-45	SG48F3S-45	SG48F5D-45	45	0.9375	0.979
SG48F3A-46	SG48F3S-46	SG48F5D-46	46	0.9583	1.000
SG48F3A-48	SG48F3S-48	SG48F5D-48	48	1.0000	1.042
SG48F3A-50	SG48F3S-50	SG48F5D-50	50	1.0417	1.083
SG48F3A-52	SG48F3S-52	SG48F5D-52	52	1.0833	1.125
SG48F3A-54	SG48F3S-54	SG48F5D-54	54	1.1250	1.167
SG48F3A-55	SG48F3S-55	SG48F5D-55	55	1.1458	1.188
SG48F3A-56	SG48F3S-56	SG48F5D-56	56	1.1667	1.208
SG48F3A-58	SG48F3S-58	SG48F5D-58	58	1.2083	1.250
SG48F3A-60	SG48F3S-60	SG48F5D-60	60	1.2500	1.292
SG48F3A-62	SG48F3S-62	SG48F5D-62	62	1.2917	1.333
SG48F3A-64	SG48F3S-64	SG48F5D-64	64	1.3333	1.375

Continued on next page

**Materials:**

Aluminum - Anodized, 303 Stainless Steel, Delrin

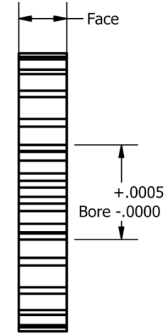
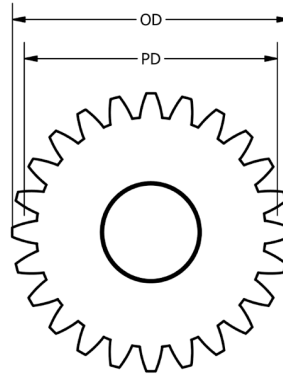
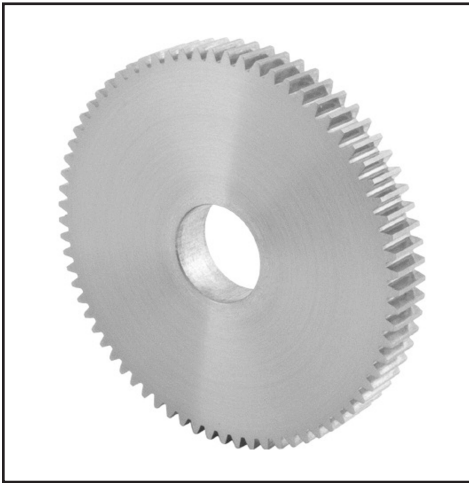
**On Request:**

14-1/2° Pressure Angle - additional number of teeth.

Customized or custom versions can be produced with accurate deliveries.  
Please call us with your needs.

## 48 Pitch Precision Spur Gears - Flat

Aluminum, Stainless Steel, Delrin, AGMA Quality 10, 20° Pressure Angle



Part Number			No. of Teeth	Pitch Dia. PD	Outside Dia. OD
Aluminum	Stainless Steel	Delrin			
0.3748 Bore 0.125 Face	0.3748 Bore 0.125 Face	0.3748 Bore 0.187 Face			
SG48F3A-65	SG48F3S-65	SG48F5D-65	65	1.3542	1.396
SG48F3A-66	SG48F3S-66	SG48F5D-66	66	1.3750	1.417
SG48F3A-68	SG48F3S-68	SG48F5D-68	68	1.4167	1.458
SG48F3A-70	SG48F3S-70	SG48F5D-70	70	1.4583	1.500
SG48F3A-72	SG48F3S-72	SG48F5D-72	72	1.5000	1.542
SG48F3A-74	SG48F3S-74	SG48F5D-74	74	1.5417	1.583
SG48F3A-75	SG48F3S-75	SG48F5D-75	75	1.5625	1.604
SG48F3A-76	SG48F3S-76	SG48F5D-76	76	1.5833	1.625
SG48F3A-78	SG48F3S-78	SG48F5D-78	78	1.6250	1.667
SG48F3A-80	SG48F3S-80	SG48F5D-80	80	1.6667	1.708
SG48F3A-84	SG48F3S-84	SG48F5D-84	84	1.7500	1.792
SG48F3A-85	SG48F3S-85	SG48F5D-85	85	1.7708	1.813
SG48F3A-90	SG48F3S-90	SG48F5D-90	90	1.8750	1.917
SG48F3A-95	SG48F3S-95	SG48F5D-95	95	1.9792	2.021
SG48F3A-96	SG48F3S-96	SG48F5D-96	96	2.0000	2.042
SG48F3A-100	SG48F3S-100	SG48F5D-100	100	2.0833	2.125
SG48F3A-105	SG48F3S-105	SG48F5D-105	105	2.1875	2.229
SG48F3A-108	SG48F3S-108	SG48F5D-108	108	2.2500	2.292
SG48F3A-110	SG48F3S-110	SG48F5D-110	110	2.2917	2.333
SG48F3A-120	SG48F3S-120	SG48F5D-120	120	2.5000	2.542
SG48F3A-132	SG48F3S-132	SG48F5D-132	132	2.7500	2.792
SG48F3A-144	SG48F3S-144	SG48F5D-144	144	3.0000	3.042
SG48F3A-156	SG48F3S-156	SG48F5D-156	156	3.2500	3.292
SG48F3A-168	SG48F3S-168	SG48F5D-168	168	3.5000	3.542
SG48F3A-192	SG48F3S-192	---	192	4.0000	4.042

**Materials:**

Aluminum - Anodized, 303 Stainless Steel, Delrin

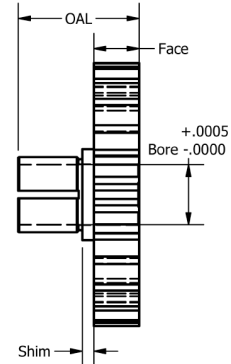
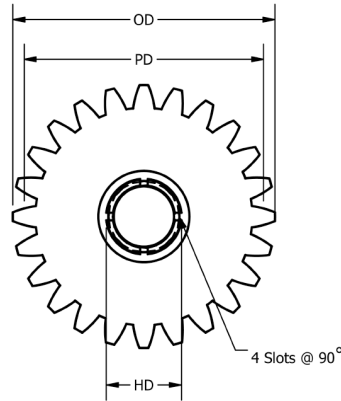
**On Request:**

14-1/2° Pressure Angle - additional number of teeth.

Customized or custom versions can be produced with accurate deliveries. Please call us with your needs.

## 48 Pitch Precision Spur Gears - Split Hub

Aluminum, Stainless Steel, AGMA Quality 10, 20° Pressure Angle



Part Number					No. of Teeth	Pitch Dia. PD	Outside Dia. OD
Aluminum		Stainless Steel					
0.1873 Bore 0.125 Face 0.250 HD 0.406 OAL	0.2498 Bore 0.125 Face 0.312 HD 0.406 OAL	0.1873 Bore 0.125 Face 0.250 HD 0.406 OAL	0.2498 Bore 0.125 Face 0.312 HD 0.406 OAL	0.2498 Bore 0.188 Face 0.312 HD 0.500 OAL			
SH1-2825.250S Clamp	SH1-2825.313S Clamp	SH1-2825.250S Clamp	SH1-2825.313S Clamp	SH1-2825.313S Clamp			
SG48C14A-20	SG48C18A-20	SG48C145-20	SG48C185-20		20	0.4167	0.458
SG48C14A-24	SG48C18A-24	SG48C145-24	SG48C185-24	SG48C20S-24	24	0.5000	0.542
SG48C14A-28	SG48C18A-28	SG48C145-28	SG48C185-28	SG48C20S-28	28	0.5833	0.625
SG48C14A-30	SG48C18A-30	SG48C145-30	SG48C185-30	SG48C20S-30	30	0.6250	0.667
SG48C14A-32	SG48C18A-32	SG48C145-32	SG48C185-32	SG48C20S-32	32	0.6667	0.708
SG48C14A-40	SG48C18A-40	SG48C145-40	SG48C185-40	SG48C20S-40	40	0.8333	0.875
SG48C14A-46	SG48C18A-46	SG48C145-46	SG48C185-46	SG48C20S-46	46	0.9583	1.000
SG48C14A-48	SG48C18A-48	SG48C145-48	SG48C185-48	SG48C20S-48	48	1.0000	1.042
SG48C14A-56	SG48C18A-56	SG48C145-56	SG48C185-56	SG48C20S-56	56	1.1667	1.208
SG48C14A-60	SG48C18A-60	SG48C145-60	SG48C185-60	SG48C20S-60	60	1.2500	1.292
SG48C14A-66	SG48C18A-66	SG48C145-66	SG48C185-66	SG48C20S-66	66	1.3750	1.417
SG48C14A-70	SG48C18A-70	SG48C145-70	SG48C185-70	SG48C20S-70	70	1.4583	1.500
SG48C14A-72	SG48C18A-72	SG48C145-72	SG48C185-72	SG48C20S-72	72	1.5000	1.542
SG48C14A-84	SG48C18A-84	SG48C145-84	SG48C185-84	SG48C20S-84	84	1.7500	1.792
SG48C14A-90	SG48C18A-90	SG48C145-90	SG48C185-90	SG48C20S-90	90	1.8750	1.917
SG48C14A-96	SG48C18A-96	SG48C145-96	SG48C185-96	SG48C20S-96	96	2.0000	2.042
SG48C14A-100	SG48C18A-100	SG48C145-100	SG48C185-100	SG48C20S-100	100	2.0833	2.125
SG48C14A-102	SG48C18A-102	SG48C145-102	SG48C185-102	SG48C20S-102	102	2.1250	2.167
SG48C14A-105	SG48C18A-105	SG48C145-105	SG48C185-105	SG48C20S-105	105	2.1875	2.229
SG48C14A-108	SG48C18A-108	SG48C145-108	SG48C185-108	SG48C20S-108	108	2.2500	2.292
SG48C14A-110	SG48C18A-110	SG48C145-110	SG48C185-110	SG48C20S-110	110	2.2917	2.333
SG48C14A-114	SG48C18A-114	SG48C145-114	SG48C185-114	SG48C20S-114	114	2.3750	2.417
---	SG48C18A-120	---	SG48C185-120	SG48C20S-120	120	2.5000	2.542
---	SG48C18A-128	---	SG48C185-128	SG48C20S-128	128	2.6667	2.708
---	SG48C18A-132	---	SG48C185-132	SG48C20S-132	132	2.7500	2.792
---	SG48C18A-144	---	SG48C185-144	SG48C20S-144	144	3.0000	3.042
---	SG48C18A-150	---	SG48C185-150	SG48C20S-150	150	3.1250	3.167
---	SG48C18A-162	---	SG48C185-162	SG48C20S-162	162	3.3750	3.417
---	SG48C18A-168	---	SG48C185-168	SG48C20S-168	168	3.5000	3.542
---	SG48C18A-180	---	SG48C185-180	SG48C20S-180	180	3.7500	3.792
---	SG48C18A-192	---	SG48C185-192	SG48C20S-192	192	4.0000	4.042

**Materials:**

Aluminum - Anodized, 303 Stainless Steel

**On Request:**

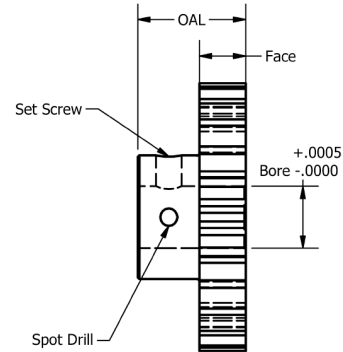
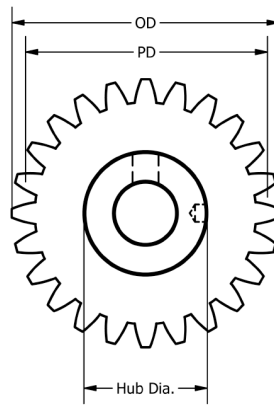
14-1/2° Pressure Angle - additional number of teeth.

Customized or custom versions can be produced with accurate deliveries.

Please call us with your needs.

## 64 Pitch Precision Spur Gears - Set Screw Hub

Aluminum - Anodized, AGMA Quality 10, 20° Pressure Angle



Part Number					No. of Teeth	Pitch Dia. PD	Outside Dia. OD
0.1248 Bore 0.125 Face 0.313 HD 0.313 OAL #2-56 Screw	0.1873 Bore 0.125 Face 0.375 HD 0.344 OAL #4-40 Screw	0.1873 Bore 0.188 Face 0.375 HD 0.406 OAL #4-40 Screw	0.2498 Bore 0.125 Face 0.500 HD 0.375 OAL #6-32 Screw	0.2498 Bore 0.188 Face 0.500 HD 0.438 OAL #6-32 Screw			
SG64P10A-18 ▲	---	---	---	---	18	0.2813	0.313
SG64P10A-19 ▲	---	---	---	---	19	0.2969	0.328
SG64P10A-20 ▲	SG64P19A-20 ▲	SG64P21A-20 ▲	---	---	20	0.3125	0.344
SG64P10A-22	SG64P19A-22 ▲	SG64P21A-22 ▲	---	---	22	0.3438	0.375
SG64P10A-24	SG64P19A-24 ▲	SG64P21A-24 ▲	---	---	24	0.3750	0.406
SG64P10A-25	SG64P19A-25 ▲	SG64P21A-25 ▲	---	---	25	0.3906	0.422
SG64P10A-26	SG64P19A-26	SG64P21A-26	SG64P26A-26 ▲	SG64P28A-26 ▲	26	0.4063	0.438
SG64P10A-28	SG64P19A-28	SG64P21A-28	SG64P26A-28 ▲	SG64P28A-28 ▲	28	0.4375	0.469
SG64P10A-30	SG64P19A-30	SG64P21A-30	SG64P26A-30 ▲	SG64P28A-30 ▲	30	0.4688	0.500
SG64P10A-32	SG64P19A-32	SG64P21A-32	SG64P26A-32 ▲	SG64P28A-32 ▲	32	0.5000	0.531
SG64P10A-34	SG64P19A-34	SG64P21A-34	SG64P26A-34	SG64P28A-34	34	0.5313	0.563
SG64P10A-35	SG64P19A-35	SG64P21A-35	SG64P26A-35	SG64P28A-35	35	0.5469	0.578
SG64P10A-36	SG64P19A-36	SG64P21A-36	SG64P26A-36	SG64P28A-36	36	0.5625	0.594
SG64P10A-38	SG64P19A-38	SG64P21A-38	SG64P26A-38	SG64P28A-38	38	0.5938	0.625
SG64P10A-40	SG64P19A-40	SG64P21A-40	SG64P26A-40	SG64P28A-40	40	0.6250	0.656
SG64P10A-42	SG64P19A-42	SG64P21A-42	SG64P26A-42	SG64P28A-42	42	0.6563	0.688
SG64P10A-44	SG64P19A-44	SG64P21A-44	SG64P26A-44	SG64P28A-44	44	0.6875	0.719
SG64P10A-45	SG64P19A-45	SG64P21A-45	SG64P26A-45	SG64P28A-45	45	0.7031	0.734
SG64P10A-46	SG64P19A-46	SG64P21A-46	SG64P26A-46	SG64P28A-46	46	0.7188	0.750
SG64P10A-48	SG64P19A-48	SG64P21A-48	SG64P26A-48	SG64P28A-48	48	0.7500	0.781
SG64P10A-50	SG64P19A-50	SG64P21A-50	SG64P26A-50	SG64P28A-50	50	0.7813	0.813
SG64P10A-52	SG64P19A-52	SG64P21A-52	SG64P26A-52	SG64P28A-52	52	0.8125	0.844
SG64P10A-54	SG64P19A-54	SG64P21A-54	SG64P26A-54	SG64P28A-54	54	0.8438	0.875
SG64P10A-55	SG64P19A-55	SG64P21A-55	SG64P26A-55	SG64P28A-55	55	0.8594	0.891
SG64P10A-56	SG64P19A-56	SG64P21A-56	SG64P26A-56	SG64P28A-56	56	0.8750	0.906
SG64P10A-58	SG64P19A-58	SG64P21A-58	SG64P26A-58	SG64P28A-58	58	0.9063	0.938

▲ Teeth cut into hub. Hub diameter may equal O.D.

Continued on next page

**Materials:**

Aluminum - anodized

**On Request:**

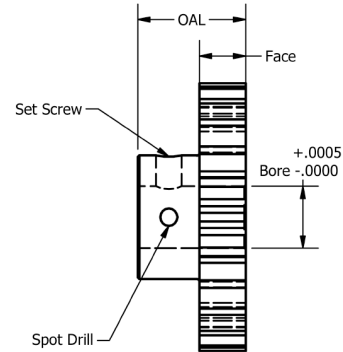
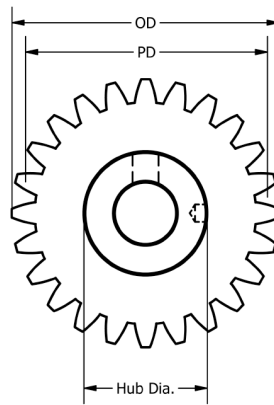
14-1/2° Pressure Angle - additional number of teeth.

Customized or custom versions can be produced with accurate deliveries. Please call us with your needs.



## 64 Pitch Precision Spur Gears - Set Screw Hub

Aluminum - Anodized, AGMA Quality 10, 20° Pressure Angle



Part Number					No. of Teeth	Pitch Dia. PD	Outside Dia. OD
0.1248 Bore 0.125 Face 0.313 HD 0.313 OAL #2-56 Screw	0.1873 Bore 0.125 Face 0.375 HD 0.344 OAL #4-40 Screw	0.1873 Bore 0.188 Face 0.375 HD 0.406 OAL #4-40 Screw	0.2498 Bore 0.125 Face 0.500 HD 0.375 OAL #6-32 Screw	0.2498 Bore 0.188 Face 0.500 HD 0.438 OAL #6-32 Screw			
SG64P10A-60	SG64P19A-60	SG64P21A-60	SG64P26A-60	SG64P28A-60	60	0.9375	0.969
SG64P10A-62	SG64P19A-62	SG64P21A-62	SG64P26A-62	SG64P28A-62	62	0.9688	1.000
SG64P10A-64	SG64P19A-64	SG64P21A-64	SG64P26A-64	SG64P28A-64	64	1.0000	1.031
SG64P10A-65	SG64P19A-65	SG64P21A-65	SG64P26A-65	SG64P28A-65	65	1.0156	1.047
SG64P10A-66	SG64P19A-66	SG64P21A-66	SG64P26A-66	SG64P28A-66	66	1.0313	1.063
SG64P10A-68	SG64P19A-68	SG64P21A-68	SG64P26A-68	SG64P28A-68	68	1.0625	1.094
SG64P10A-70	SG64P19A-70	SG64P21A-70	SG64P26A-70	SG64P28A-70	70	1.0938	1.125
SG64P10A-72	SG64P19A-72	SG64P21A-72	SG64P26A-72	SG64P28A-72	72	1.1250	1.156
SG64P10A-75	SG64P19A-75	SG64P21A-75	SG64P26A-75	SG64P28A-75	75	1.1719	1.203
SG64P10A-80	SG64P19A-80	SG64P21A-80	SG64P26A-80	SG64P28A-80	80	1.2500	1.281
SG64P10A-85	SG64P19A-85	SG64P21A-85	SG64P26A-85	SG64P28A-85	85	1.3281	1.359
SG64P10A-88	SG64P19A-88	SG64P21A-88	SG64P26A-88	SG64P28A-88	88	1.3750	1.406
SG64P10A-90	SG64P19A-90	SG64P21A-90	SG64P26A-90	SG64P28A-90	90	1.4063	1.438
SG64P10A-95	SG64P19A-95	SG64P21A-95	SG64P26A-95	SG64P28A-95	95	1.4844	1.516
SG64P10A-96	SG64P19A-96	SG64P21A-96	SG64P26A-96	SG64P28A-96	96	1.5000	1.531
SG64P10A-100	SG64P19A-100	SG64P21A-100	SG64P26A-100	SG64P28A-100	100	1.5625	1.594
SG64P10A-104	SG64P19A-104	SG64P21A-104	SG64P26A-104	SG64P28A-104	104	1.6250	1.656
SG64P10A-105	SG64P19A-105	SG64P21A-105	SG64P26A-105	SG64P28A-105	105	1.6406	1.672
SG64P10A-112	SG64P19A-112	SG64P21A-112	SG64P26A-112	SG64P28A-112	112	1.7500	1.781
SG64P10A-120	SG64P19A-120	SG64P21A-120	SG64P26A-120	SG64P28A-120	120	1.8750	1.906
SG64P10A-128	SG64P19A-128	SG64P21A-128	SG64P26A-128	SG64P28A-128	128	2.0000	2.031
SG64P10A-136	SG64P19A-136	SG64P21A-136	SG64P26A-136	SG64P28A-136	136	2.1250	2.156
---	SG64P19A-144	SG64P21A-144	SG64P26A-144	SG64P28A-144	144	2.2500	2.281
---	SG64P19A-160	SG64P21A-160	SG64P26A-160	SG64P28A-160	160	2.5000	2.531
---	SG64P19A-176	SG64P21A-176	SG64P26A-176	SG64P28A-176	176	2.7500	2.781
---	SG64P19A-192	SG64P21A-192	SG64P26A-192	SG64P28A-192	192	3.0000	3.031

▲ Teeth cut into hub. Hub diameter may equal O.D.

**Materials:**

Aluminum - anodized

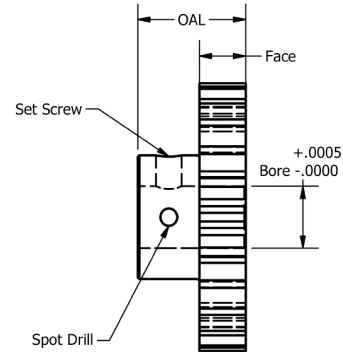
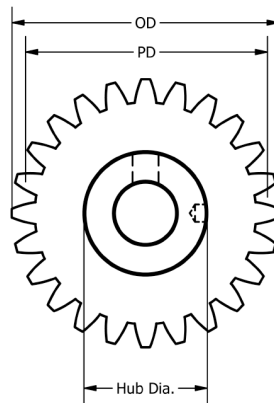
**On Request:**

14-1/2° Pressure Angle - additional number of teeth.

Customized or custom versions can be produced with accurate deliveries. Please call us with your needs.

## 64 Pitch Precision Spur Gears - Set Screw Hub

303 Stainless Steel, AGMA Quality 10, 20° Pressure Angle



Part Number					No. of Teeth	Pitch Dia. PD	Outside Dia. OD
0.1248 Bore 0.125 Face 0.313 HD 0.313 OAL #2-56 Screw	0.1873 Bore 0.125 Face 0.375 HD 0.344 OAL #4-40 Screw	0.1873 Bore 0.188 Face 0.375 HD 0.406 OAL #4-40 Screw	0.2498 Bore 0.125 Face 0.500 HD 0.375 OAL #6-32 Screw	0.2498 Bore 0.188 Face 0.500 HD 0.438 OAL #6-32 Screw			
SG64P10S-18 ▲	---	---	---	---	18	0.2813	0.313
SG64P10S-19 ▲	---	---	---	---	19	0.2969	0.328
SG64P10S-20 ▲	SG64P19S-20 ▲	SG64P21S-20 ▲	---	---	20	0.3125	0.344
SG64P10S-22	SG64P19S-22 ▲	SG64P21S-22 ▲	---	---	22	0.3438	0.375
SG64P10S-24	SG64P19S-24 ▲	SG64P21S-24 ▲	---	---	24	0.3750	0.406
SG64P10S-25	SG64P19S-25 ▲	SG64P21S-25 ▲	---	---	25	0.3906	0.422
SG64P10S-26	SG64P19S-26	SG64P21S-26	SG64P26S-26 ▲	SG64P28S-26 ▲	26	0.4063	0.438
SG64P10S-28	SG64P19S-28	SG64P21S-28	SG64P26S-28 ▲	SG64P28S-28 ▲	28	0.4375	0.469
SG64P10S-30	SG64P19S-30	SG64P21S-30	SG64P26S-30 ▲	SG64P28S-30 ▲	30	0.4688	0.500
SG64P10S-32	SG64P19S-32	SG64P21S-32	SG64P26S-32 ▲	SG64P28S-32 ▲	32	0.5000	0.531
SG64P10S-34	SG64P19S-34	SG64P21S-34	SG64P26S-34	SG64P28S-34	34	0.5313	0.563
SG64P10S-35	SG64P19S-35	SG64P21S-35	SG64P26S-35	SG64P28S-35	35	0.5469	0.578
SG64P10S-36	SG64P19S-36	SG64P21S-36	SG64P26S-36	SG64P28S-36	36	0.5625	0.594
SG64P10S-38	SG64P19S-38	SG64P21S-38	SG64P26S-38	SG64P28S-38	38	0.5938	0.625
SG64P10S-40	SG64P19S-40	SG64P21S-40	SG64P26S-40	SG64P28S-40	40	0.6250	0.656
SG64P10S-42	SG64P19S-42	SG64P21S-42	SG64P26S-42	SG64P28S-42	42	0.6563	0.688
SG64P10S-44	SG64P19S-44	SG64P21S-44	SG64P26S-44	SG64P28S-44	44	0.6875	0.719
SG64P10S-45	SG64P19S-45	SG64P21S-45	SG64P26S-45	SG64P28S-45	45	0.7031	0.734
SG64P10S-46	SG64P19S-46	SG64P21S-46	SG64P26S-46	SG64P28S-46	46	0.7188	0.750
SG64P10S-48	SG64P19S-48	SG64P21S-48	SG64P26S-48	SG64P28S-48	48	0.7500	0.781
SG64P10S-50	SG64P19S-50	SG64P21S-50	SG64P26S-50	SG64P28S-50	50	0.7813	0.813
SG64P10S-52	SG64P19S-52	SG64P21S-52	SG64P26S-52	SG64P28S-52	52	0.8125	0.844
SG64P10S-54	SG64P19S-54	SG64P21S-54	SG64P26S-54	SG64P28S-54	54	0.8438	0.875
SG64P10S-55	SG64P19S-55	SG64P21S-55	SG64P26S-55	SG64P28S-55	55	0.8594	0.891
SG64P10S-56	SG64P19S-56	SG64P21S-56	SG64P26S-56	SG64P28S-56	56	0.8750	0.906
SG64P10S-58	SG64P19S-58	SG64P21S-58	SG64P26S-58	SG64P28S-58	58	0.9063	0.938

▲ Teeth cut into hub. Hub diameter may equal O.D.

Continued on next page

**Materials:**

303 Stainless Steel

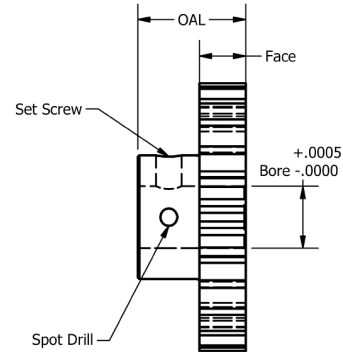
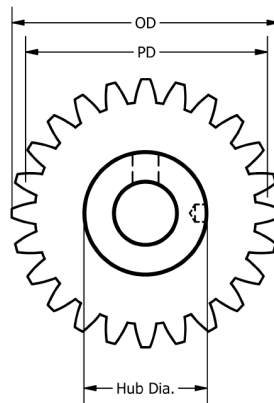
**On Request:**

14-1/2° Pressure Angle - additional number of teeth.

Customized or custom versions can be produced with accurate deliveries. Please call us with your needs.

## 64 Pitch Precision Spur Gears - Set Screw Hub

303 Stainless Steel, AGMA Quality 10, 20° Pressure Angle



Part Number					No. of Teeth	Pitch Dia. PD	Outside Dia. OD
0.1248 Bore 0.125 Face 0.313 HD 0.313 OAL #2-56 Screw	0.1873 Bore 0.125 Face 0.375 HD 0.344 OAL #4-40 Screw	0.1873 Bore 0.188 Face 0.375 HD 0.406 OAL #4-40 Screw	0.2498 Bore 0.125 Face 0.500 HD 0.375 OAL #6-32 Screw	0.2498 Bore 0.188 Face 0.500 HD 0.438 OAL #6-32 Screw			
SG64P10S-60	SG64P19S-60	SG64P21S-60	SG64P26S-60	SG64P28S-60	60	0.9375	0.969
SG64P10S-62	SG64P19S-62	SG64P21S-62	SG64P26S-62	SG64P28S-62	62	0.9688	1.000
SG64P10S-64	SG64P19S-64	SG64P21S-64	SG64P26S-64	SG64P28S-64	64	1.0000	1.031
SG64P10S-65	SG64P19S-65	SG64P21S-65	SG64P26S-65	SG64P28S-65	65	1.0156	1.047
SG64P10S-66	SG64P19S-66	SG64P21S-66	SG64P26S-66	SG64P28S-66	66	1.0313	1.063
SG64P10S-68	SG64P19S-68	SG64P21S-68	SG64P26S-68	SG64P28S-68	68	1.0625	1.094
SG64P10S-70	SG64P19S-70	SG64P21S-70	SG64P26S-70	SG64P28S-70	70	1.0938	1.125
SG64P10S-72	SG64P19S-72	SG64P21S-72	SG64P26S-72	SG64P28S-72	72	1.1250	1.156
SG64P10S-75	SG64P19S-75	SG64P21S-75	SG64P26S-75	SG64P28S-75	75	1.1719	1.203
SG64P10S-80	SG64P19S-80	SG64P21S-80	SG64P26S-80	SG64P28S-80	80	1.2500	1.281
SG64P10S-85	SG64P19S-85	SG64P21S-85	SG64P26S-85	SG64P28S-85	85	1.3281	1.359
SG64P10S-88	SG64P19S-88	SG64P21S-88	SG64P26S-88	SG64P28S-88	88	1.3750	1.406
SG64P10S-90	SG64P19S-90	SG64P21S-90	SG64P26S-90	SG64P28S-90	90	1.4063	1.438
SG64P10S-95	SG64P19S-95	SG64P21S-95	SG64P26S-95	SG64P28S-95	95	1.4844	1.516
SG64P10S-96	SG64P19S-96	SG64P21S-96	SG64P26S-96	SG64P28S-96	96	1.5000	1.531
SG64P10S-100	SG64P19S-100	SG64P21S-100	SG64P26S-100	SG64P28S-100	100	1.5625	1.594
SG64P10S-104	SG64P19S-104	SG64P21S-104	SG64P26S-104	SG64P28S-104	104	1.6250	1.656
SG64P10S-105	SG64P19S-105	SG64P21S-105	SG64P26S-105	SG64P28S-105	105	1.6406	1.672
SG64P10S-112	SG64P19S-112	SG64P21S-112	SG64P26S-112	SG64P28S-112	112	1.7500	1.781
SG64P10S-120	SG64P19S-120	SG64P21S-120	SG64P26S-120	SG64P28S-120	120	1.8750	1.906
SG64P10S-128	SG64P19S-128	SG64P21S-128	SG64P26S-128	SG64P28S-128	128	2.0000	2.031
SG64P10S-136	SG64P19S-136	SG64P21S-136	SG64P26S-136	SG64P28S-136	136	2.1250	2.156
---	SG64P19S-144	SG64P21S-144	SG64P26S-144	SG64P28S-144	144	2.2500	2.281
---	SG64P19S-160	SG64P21S-160	SG64P26S-160	SG64P28S-160	160	2.5000	2.531
---	SG64P19S-176	SG64P21S-176	SG64P26S-176	SG64P28S-176	176	2.7500	2.781
---	SG64P19S-192	SG64P21S-192	SG64P26S-192	SG64P28S-192	192	3.0000	3.031

▲ Teeth cut into hub. Hub diameter may equal O.D.

**Materials:**

303 Stainless Steel

**On Request:**

14-1/2° Pressure Angle - additional number of teeth.

Customized or custom versions can be produced with accurate deliveries. Please call us with your needs.

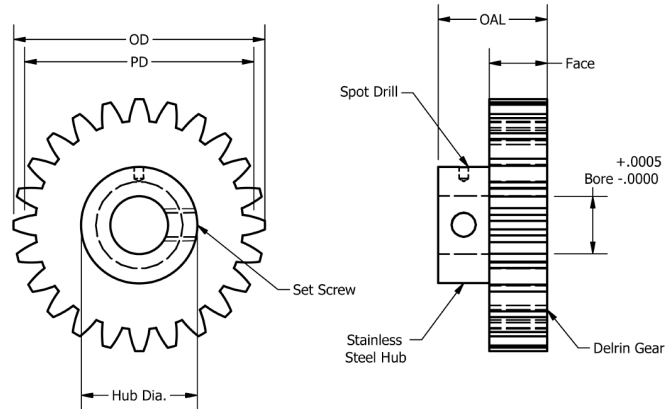
**SGP-XD**  
**64 Pitch**

# GEARS

**SGP-XD**  
**64 Pitch**

## 64 Pitch Precision Spur Gears - Split Hub

Delrin Gear with Stainless Hub, AGMA Quality 10, 20° Pressure Angle



Part Number		No. of Teeth	Pitch Dia. PD	Outside Dia. OD
0.1873 Bore 0.188 Face 0.500 HD 0.438 OAL #6-32 Screw	0.2498 Bore 0.188 Face 0.500 HD 0.438 OAL #6-32 Screw			
SG64P21XD-36	SG64P28XD-36	36	0.5625	0.594
SG64P21XD-40	SG64P28XD-40	40	0.6250	0.656
SG64P21XD-44	SG64P28XD-44	44	0.6875	0.719
SG64P21XD-45	SG64P28XD-45	45	0.7031	0.734
SG64P21XD-48	SG64P28XD-48	48	0.7500	0.781
SG64P21XD-56	SG64P28XD-56	56	0.8750	0.906
SG64P21XD-64	SG64P28XD-64	64	1.0000	1.031
SG64P21XD-72	SG64P28XD-72	72	1.1250	1.156
SG64P21XD-80	SG64P28XD-80	80	1.2500	1.281
SG64P21XD-88	SG64P28XD-88	88	1.3750	1.406
SG64P21XD-96	SG64P28XD-96	96	1.5000	1.531
SG64P21XD-112	SG64P28XD-112	112	1.7500	1.781
SG64P21XD-120	SG64P28XD-120	120	1.8750	1.906
SG64P21XD-128	SG64P28XD-128	128	2.0000	2.031
SG64P21XD-144	SG64P28XD-144	144	2.2500	2.156
SG64P21XD-160	SG64P28XD-160	160	2.5000	2.281

**Materials:**

Delrin gear with 303 Stainless Steel hub.

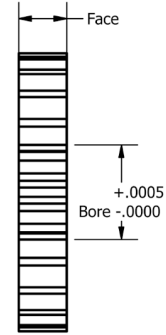
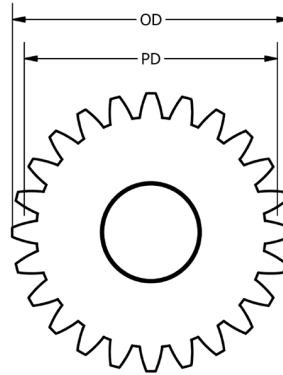
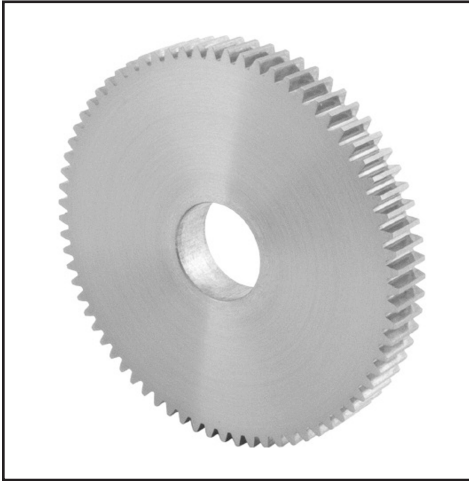
**On Request:**

14-1/2° Pressure Angle - additional number of teeth.

Customized or custom versions can be produced with accurate deliveries. Please call us with your needs.

## 64 Pitch Precision Spur Gears - Flat

Aluminum, Stainless Steel, Delrin, AGMA Quality 10, 20° Pressure Angle



Part Number			No. of Teeth	Pitch Dia. PD	Outside Dia. OD
Aluminum	Stainless Steel	Delrin			
0.3748 Bore 0.125 Face	0.3748 Bore 0.125 Face	0.3748 Bore 0.187 Face			
SG64F3A-38	SG64F3S-38	SG64F5D-38	38	0.5938	0.625
SG64F3A-40	SG64F3S-40	SG64F5D-40	40	0.6250	0.656
SG64F3A-42	SG64F3S-42	SG64F5D-42	42	0.6563	0.688
SG64F3A-44	SG64F3S-44	SG64F5D-44	44	0.6875	0.719
SG64F3A-45	SG64F3S-45	SG64F5D-45	45	0.7031	0.734
SG64F3A-46	SG64F3S-46	SG64F5D-46	46	0.7188	0.750
SG64F3A-48	SG64F3S-48	SG64F5D-48	48	0.7500	0.781
SG64F3A-50	SG64F3S-50	SG64F5D-50	50	0.7813	0.813
SG64F3A-52	SG64F3S-52	SG64F5D-52	52	0.8125	0.844
SG64F3A-54	SG64F3S-54	SG64F5D-54	54	0.8438	0.875
SG64F3A-55	SG64F3S-55	SG64F5D-55	55	0.8594	0.891
SG64F3A-56	SG64F3S-56	SG64F5D-56	56	0.8750	0.906
SG64F3A-58	SG64F3S-58	SG64F5D-58	58	0.9063	0.938
SG64F3A-60	SG64F3S-60	SG64F5D-60	60	0.9375	0.969
SG64F3A-62	SG64F3S-62	SG64F5D-62	62	0.9688	1.000
SG64F3A-64	SG64F3S-64	SG64F5D-64	64	1.0000	1.031
SG64F3A-65	SG64F3S-65	SG64F5D-65	65	1.0156	1.047
SG64F3A-66	SG64F3S-66	SG64F5D-66	66	1.0313	1.063
SG64F3A-68	SG64F3S-68	SG64F5D-68	68	1.0625	1.094

Continued on next page

**Materials:**

Aluminum - Anodized, 303 Stainless Steel, Delrin

**On Request:**

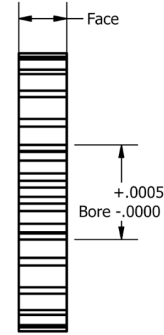
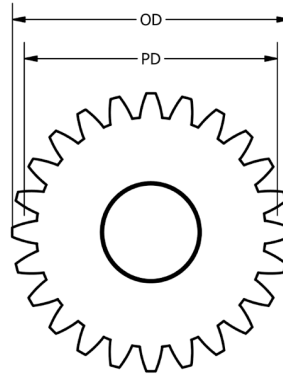
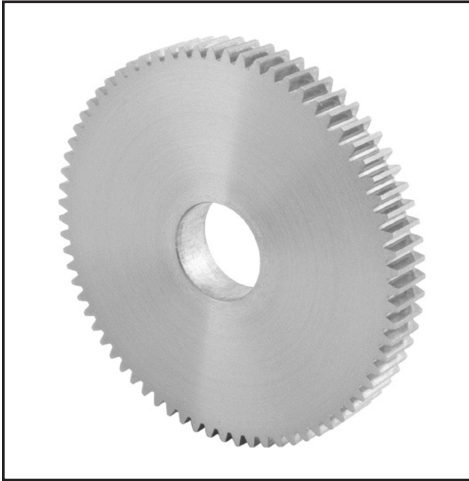
14-1/2° Pressure Angle - additional number of teeth.

Customized or custom versions can be produced with accurate deliveries.

Please call us with your needs.

## 64 Pitch Precision Spur Gears - Flat

Aluminum, Stainless Steel, Delrin, AGMA Quality 10, 20° Pressure Angle



Part Number			No. of Teeth	Pitch Dia. PD	Outside Dia. OD
Aluminum	Stainless Steel	Delrin			
0.3748 Bore 0.125 Face	0.3748 Bore 0.125 Face	0.3748 Bore 0.187 Face			
SG64F3A-70	SG64F3S-70	SG64F5D-70	70	1.0938	1.125
SG64F3A-72	SG64F3S-72	SG64F5D-72	72	1.1250	1.156
SG64F3A-75	SG64F3S-75	SG64F5D-75	75	1.1719	1.203
SG64F3A-80	SG64F3S-80	SG64F5D-80	80	1.2500	1.281
SG64F3A-85	SG64F3S-85	SG64F5D-85	85	1.3281	1.359
SG64F3A-88	SG64F3S-88	SG64F5D-88	88	1.3750	1.406
SG64F3A-90	SG64F3S-90	SG64F5D-90	90	1.4063	1.438
SG64F3A-95	SG64F3S-95	SG64F5D-95	95	1.4844	1.516
SG64F3A-96	SG64F3S-96	SG64F5D-96	96	1.5000	1.531
SG64F3A-100	SG64F3S-100	SG64F5D-100	100	1.5625	1.594
SG64F3A-104	SG64F3S-104	SG64F5D-104	104	1.6250	1.656
SG64F3A-105	SG64F3S-105	SG64F5D-105	105	1.6406	1.672
SG64F3A-112	SG64F3S-112	SG64F5D-112	112	1.7500	1.781
SG64F3A-120	SG64F3S-120	SG64F5D-120	120	1.8750	1.906
SG64F3A-128	SG64F3S-128	SG64F5D-128	128	2.0000	2.031
SG64F3A-136	SG64F3S-136	SG64F5D-136	136	2.1250	2.156
SG64F3A-144	SG64F3S-144	SG64F5D-144	144	2.2500	2.281
SG64F3A-160	SG64F3S-160	SG64F5D-160	160	2.5000	2.531
SG64F3A-176	SG64F3S-176	SG64F5D-176	176	2.7500	2.781
SG64F3A-192	SG64F3S-192	SG64F5D-192	192	3.0000	3.031

**Materials:**

Aluminum - Anodized, 303 Stainless Steel, Delrin

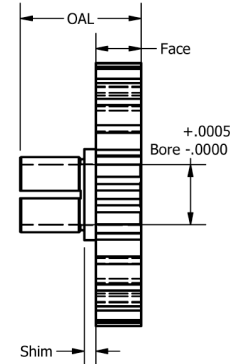
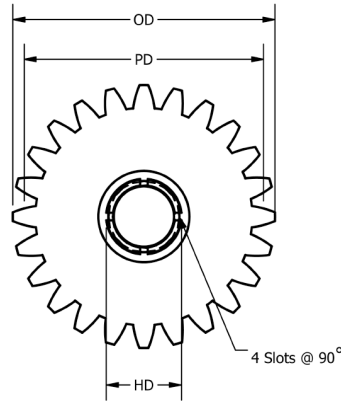
**On Request:**

14-1/2° Pressure Angle - additional number of teeth.

Customized or custom versions can be produced with accurate deliveries. Please call us with your needs.

## 64 Pitch Precision Spur Gears - Split Hub

Aluminum, Stainless Steel, AGMA Quality 10, 20° Pressure Angle



Part Number						No. of Teeth	Pitch Dia. PD	Outside Dia. OD
Aluminum			Stainless Steel					
0.1248 Bore 0.125 Face 0.187 HD 0.406 OAL SH4-2624.188H Clamp	0.1873 Bore 0.125 Face 0.250 HD 0.406 OAL SH1-2825.250S Clamp	0.2498 Bore 0.125 Face 0.312 HD 0.406 OAL SH1-2825.313S Clamp	0.1248 Bore 0.125 Face 0.187 HD 0.406 OAL SH4-2624.188H Clamp	0.1873 Bore 0.125 Face 0.250 HD 0.406 OAL SH1-2825.250S Clamp	0.2498 Bore 0.125 Face 0.312 HD 0.406 OAL SH1-2825.313S Clamp			
SG64C7A-18	---	---	SG64C7S-18	---	---	18	0.2813	0.313
SG64C7A-19	---	---	SG64C7S-19	---	---	19	0.2969	0.328
SG64C7A-20	---	---	SG64C7S-20	---	---	20	0.3125	0.344
SG64C7A-22	---	---	SG64C7S-22	---	---	22	0.3438	0.375
SG64C7A-24	SG64C14A-24	---	SG64C7S-24	SG64C14S-24	---	24	0.3750	0.406
SG64C7A-25	SG64C14A-25	---	SG64C7S-25	SG64C14S-25	---	25	0.3906	0.422
SG64C7A-26	SG64C14A-26	---	SG64C7S-26	SG64C14S-26	---	26	0.4063	0.438
SG64C7A-28	SG64C14A-28	---	SG64C7S-28	SG64C14S-28	---	28	0.4375	0.469
SG64C7A-30	SG64C14A-30	SG64C18A-30	SG64C7S-30	SG64C14S-30	SG64C18S-30	30	0.4688	0.500
SG64C7A-32	SG64C14A-32	SG64C18A-32	SG64C7S-32	SG64C14S-32	SG64C18S-32	32	0.5000	0.531
SG64C7A-34	SG64C14A-34	SG64C18A-34	SG64C7S-34	SG64C14S-34	SG64C18S-34	34	0.5313	0.563
SG64C7A-35	SG64C14A-35	SG64C18A-35	SG64C7S-35	SG64C14S-35	SG64C18S-35	35	0.5469	0.578
SG64C7A-36	SG64C14A-36	SG64C18A-36	SG64C7S-36	SG64C14S-36	SG64C18S-36	36	0.5625	0.594
SG64C7A-38	SG64C14A-38	SG64C18A-38	SG64C7S-38	SG64C14S-38	SG64C18S-38	38	0.5938	0.625
SG64C7A-40	SG64C14A-40	SG64C18A-40	SG64C7S-40	SG64C14S-40	SG64C18S-40	40	0.6250	0.656
SG64C7A-42	SG64C14A-42	SG64C18A-42	SG64C7S-42	SG64C14S-42	SG64C18S-42	42	0.6563	0.688
SG64C7A-44	SG64C14A-44	SG64C18A-44	SG64C7S-44	SG64C14S-44	SG64C18S-44	44	0.6875	0.719
SG64C7A-45	SG64C14A-45	SG64C18A-45	SG64C7S-45	SG64C14S-45	SG64C18S-45	45	0.7031	0.734
SG64C7A-46	SG64C14A-46	SG64C18A-46	SG64C7S-46	SG64C14S-46	SG64C18S-46	46	0.7188	0.750
SG64C7A-48	SG64C14A-48	SG64C18A-48	SG64C7S-48	SG64C14S-48	SG64C18S-48	48	0.7500	0.781
SG64C7A-50	SG64C14A-50	SG64C18A-50	SG64C7S-50	SG64C14S-50	SG64C18S-50	50	0.7813	0.813
SG64C7A-52	SG64C14A-52	SG64C18A-52	SG64C7S-52	SG64C14S-52	SG64C18S-52	52	0.8125	0.844
SG64C7A-54	SG64C14A-54	SG64C18A-54	SG64C7S-54	SG64C14S-54	SG64C18S-54	54	0.8438	0.875
SG64C7A-55	SG64C14A-55	SG64C18A-55	SG64C7S-55	SG64C14S-55	SG64C18S-55	55	0.8594	0.891
SG64C7A-56	SG64C14A-56	SG64C18A-56	SG64C7S-56	SG64C14S-56	SG64C18S-56	56	0.8750	0.906
SG64C7A-58	SG64C14A-58	SG64C18A-58	SG64C7S-58	SG64C14S-58	SG64C18S-58	58	0.9063	0.938

Continued on next page

**Materials:**

Aluminum - Anodized, 303 Stainless Steel

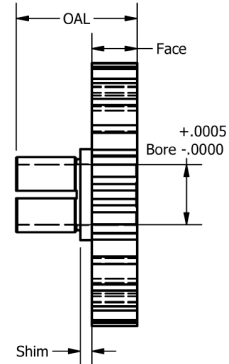
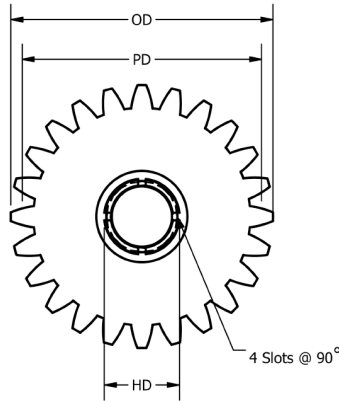
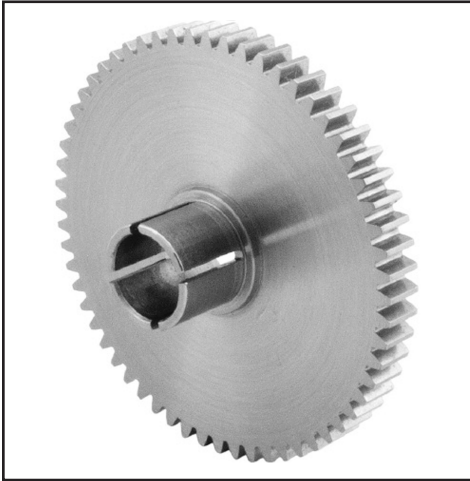
**On Request:**

14-1/2° Pressure Angle - additional number of teeth.

Customized or custom versions can be produced with accurate deliveries. Please call us with your needs.

## 64 Pitch Precision Spur Gears - Split Hub

Aluminum, Stainless Steel, AGMA Quality 10, 20° Pressure Angle



Part Number						No. of Teeth	Pitch Dia. PD	Outside Dia. OD
Aluminum			Stainless Steel					
0.1248 Bore 0.125 Face 0.187 HD 0.406 OAL SH4-2624.188H Clamp	0.1873 Bore 0.125 Face 0.250 HD 0.406 OAL SH1-2825.250S Clamp	0.2498 Bore 0.125 Face 0.312 HD 0.406 OAL SH1-2825.313S Clamp	0.1248 Bore 0.125 Face 0.187 HD 0.406 OAL SH4-2624.188H Clamp	0.1873 Bore 0.125 Face 0.250 HD 0.406 OAL SH1-2825.250S Clamp	0.2498 Bore 0.125 Face 0.312 HD 0.406 OAL SH1-2825.313S Clamp			
SG64C7A-60	SG64C14A-60	SG64C18A-60	SG64C7S-60	SG64C14S-60	SG64C18S-60	60	0.9375	0.968
SG64C7A-62	SG64C14A-62	SG64C18A-62	SG64C7S-62	SG64C14S-62	SG64C18S-62	62	0.9688	1.000
SG64C7A-64	SG64C14A-64	SG64C18A-64	SG64C7S-64	SG64C14S-64	SG64C18S-64	64	1.0000	1.031
SG64C7A-65	SG64C14A-65	SG64C18A-65	SG64C7S-65	SG64C14S-65	SG64C18S-65	65	1.0156	1.046
SG64C7A-66	SG64C14A-66	SG64C18A-66	SG64C7S-66	SG64C14S-66	SG64C18S-66	66	1.0313	1.062
SG64C7A-68	SG64C14A-68	SG64C18A-68	SG64C7S-68	SG64C14S-68	SG64C18S-68	68	1.0625	1.093
SG64C7A-70	SG64C14A-70	SG64C18A-70	SG64C7S-70	SG64C14S-70	SG64C18S-70	70	1.0938	1.125
SG64C7A-72	SG64C14A-72	SG64C18A-72	SG64C7S-72	SG64C14S-72	SG64C18S-72	72	1.1250	1.156
SG64C7A-75	SG64C14A-75	SG64C18A-75	SG64C7S-75	SG64C14S-75	SG64C18S-75	75	1.1719	1.203
SG64C7A-80	SG64C14A-80	SG64C18A-80	SG64C7S-80	SG64C14S-80	SG64C18S-80	80	1.2500	1.281
SG64C7A-85	SG64C14A-85	SG64C18A-85	SG64C7S-85	SG64C14S-85	SG64C18S-85	85	1.3281	1.359
SG64C7A-88	SG64C14A-88	SG64C18A-88	SG64C7S-88	SG64C14S-88	SG64C18S-88	88	1.3750	1.406
SG64C7A-90	SG64C14A-90	SG64C18A-90	SG64C7S-90	SG64C14S-90	SG64C18S-90	90	1.4063	1.437
SG64C7A-95	SG64C14A-95	SG64C18A-95	SG64C7S-95	SG64C14S-95	SG64C18S-95	95	1.4844	1.516
SG64C7A-96	SG64C14A-96	SG64C18A-96	SG64C7S-96	SG64C14S-96	SG64C18S-96	96	1.5000	1.531
SG64C7A-100	SG64C14A-100	SG64C18A-100	SG64C7S-100	SG64C14S-100	SG64C18S-100	100	1.5625	1.593
SG64C7A-104	SG64C14A-104	SG64C18A-104	SG64C7S-104	SG64C14S-104	SG64C18S-104	104	1.6250	1.656
SG64C7A-105	SG64C14A-105	SG64C18A-105	SG64C7S-105	SG64C14S-105	SG64C18S-105	105	1.6406	1.671
SG64C7A-112	SG64C14A-112	SG64C18A-112	SG64C7S-112	SG64C14S-112	SG64C18S-112	112	1.7500	1.781
SG64C7A-120	SG64C14A-120	SG64C18A-120	SG64C7S-120	SG64C14S-120	SG64C18S-120	120	1.8750	1.906
---	SG64C14A-128	SG64C18A-128	---	SG64C14S-128	SG64C18S-128	128	2.0000	2.031
---	SG64C14A-136	SG64C18A-136	---	SG64C14S-136	SG64C18S-136	136	2.1250	2.156
---	SG64C14A-144	SG64C18A-144	---	SG64C14S-144	SG64C18S-144	144	2.2500	2.281
---	---	SG64C18A-160	---	---	SG64C18S-160	160	2.5000	2.531
---	---	SG64C18A-176	---	---	SG64C18S-176	176	2.7500	2.781
---	---	SG64C18A-192	---	---	SG64C18S-192	192	3.0000	3.031

**Materials:**

Aluminum - Anodized, 303 Stainless Steel

**On Request:**

14-1/2° Pressure Angle - additional number of teeth.

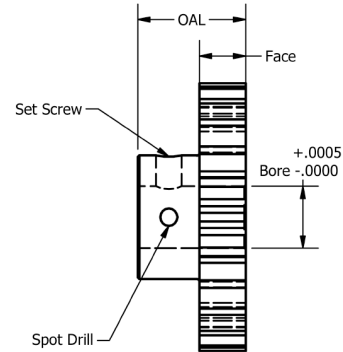
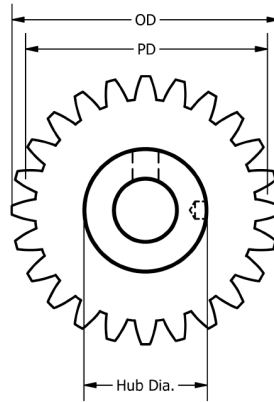
Customized or custom versions can be produced with accurate deliveries.

Please call us with your needs.



## 72 Pitch Precision Spur Gears - Set Screw Hub

Aluminum - Anodized, AGMA Quality 10, 20° Pressure Angle



Part Number					No. of Teeth	Pitch Dia. PD	Outside Dia. OD
0.1248 Bore 0.125 Face 0.313 HD 0.313 OAL #2-56 Screw	0.1873 Bore 0.125 Face 0.375 HD 0.344 OAL #4-40 Screw	0.1873 Bore 0.188 Face 0.375 HD 0.406 OAL #4-40 Screw	0.2498 Bore 0.125 Face 0.500 HD 0.375 OAL #6-32 Screw	0.2498 Bore 0.188 Face 0.500 HD 0.438 OAL #6-32 Screw			
SG72P10A-20 ▲	---	---	---	---	20	0.2778	0.306
SG72P10A-22 ▲	SG72P19A-22 ▲	---	---	---	22	0.3056	0.333
SG72P10A-23 ▲	SG72P19A-23 ▲	---	---	---	23	0.3194	0.347
SG72P10A-24	SG72P19A-24 ▲	SG72P21A-24 ▲	---	---	24	0.3333	0.361
SG72P10A-25	SG72P19A-25 ▲	SG72P21A-25 ▲	---	---	25	0.3472	0.375
SG72P10A-26	SG72P19A-26 ▲	SG72P21A-26 ▲	---	---	26	0.3611	0.389
SG72P10A-27	SG72P19A-27 ▲	SG72P21A-27 ▲	---	---	27	0.3750	0.403
SG72P10A-28	SG72P19A-28 ▲	SG72P21A-28 ▲	---	---	28	0.3889	0.417
SG72P10A-29	SG72P19A-29	SG72P21A-29	---	---	29	0.4028	0.431
SG72P10A-30	SG72P19A-30	SG72P21A-30	SG72P26A-30 ▲	SG72P28A-30 ▲	30	0.4167	0.444
SG72P10A-32	SG72P19A-32	SG72P21A-32	SG72P26A-32 ▲	SG72P28A-32 ▲	32	0.4444	0.472
SG72P10A-34	SG72P19A-34	SG72P21A-34	SG72P26A-34 ▲	SG72P28A-34 ▲	34	0.4722	0.500
SG72P10A-35	SG72P19A-35	SG72P21A-35	SG72P26A-35 ▲	SG72P28A-35 ▲	35	0.4861	0.514
SG72P10A-36	SG72P19A-36	SG72P21A-36	SG72P26A-36 ▲	SG72P28A-36 ▲	36	0.5000	0.528
SG72P10A-38	SG72P19A-38	SG72P21A-38	SG72P26A-38	SG72P28A-38	38	0.5278	0.556
SG72P10A-40	SG72P19A-40	SG72P21A-40	SG72P26A-40	SG72P28A-40	40	0.5556	0.583
SG72P10A-42	SG72P19A-42	SG72P21A-42	SG72P26A-42	SG72P28A-42	42	0.5833	0.611
SG72P10A-44	SG72P19A-44	SG72P21A-44	SG72P26A-44	SG72P28A-44	44	0.6111	0.639
SG72P10A-45	SG72P19A-45	SG72P21A-45	SG72P26A-45	SG72P28A-45	45	0.6250	0.653
SG72P10A-46	SG72P19A-46	SG72P21A-46	SG72P26A-46	SG72P28A-46	46	0.6389	0.667
SG72P10A-48	SG72P19A-48	SG72P21A-48	SG72P26A-48	SG72P28A-48	48	0.6667	0.694
SG72P10A-50	SG72P19A-50	SG72P21A-50	SG72P26A-50	SG72P28A-50	50	0.6944	0.722
SG72P10A-54	SG72P19A-54	SG72P21A-54	SG72P26A-54	SG72P28A-54	54	0.7500	0.778
SG72P10A-55	SG72P19A-55	SG72P21A-55	SG72P26A-55	SG72P28A-55	55	0.7639	0.792
SG72P10A-56	SG72P19A-56	SG72P21A-56	SG72P26A-56	SG72P28A-56	56	0.7778	0.806

▲ Teeth cut into hub. Hub diameter may equal O.D.

Continued on next page

**Materials:**

Aluminum - anodized

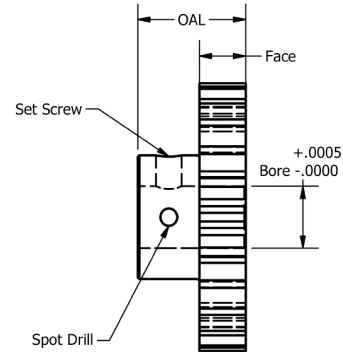
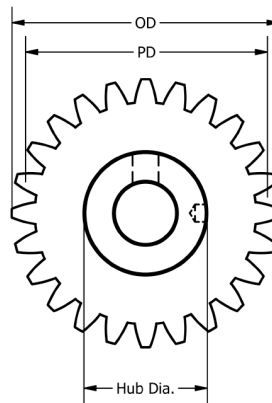
**On Request:**

14-1/2° Pressure Angle - additional number of teeth.

Customized or custom versions can be produced with accurate deliveries. Please call us with your needs.

## 72 Pitch Precision Spur Gears - Set Screw Hub

Aluminum - Anodized, AGMA Quality 10, 20° Pressure Angle



Part Number					No. of Teeth	Pitch Dia. PD	Outside Dia. OD
0.1248 Bore 0.125 Face 0.313 HD 0.313 OAL #2-56 Screw	0.1873 Bore 0.125 Face 0.375 HD 0.344 OAL #4-40 Screw	0.1873 Bore 0.188 Face 0.375 HD 0.406 OAL #4-40 Screw	0.2498 Bore 0.125 Face 0.500 HD 0.375 OAL #6-32 Screw	0.2498 Bore 0.188 Face 0.500 HD 0.438 OAL #6-32 Screw			
SG72P10A-60	SG72P19A-60	SG72P21A-60	SG72P26A-60	SG72P28A-60	60	0.8333	0.861
SG72P10A-64	SG72P19A-64	SG72P21A-64	SG72P26A-64	SG72P28A-64	64	0.8889	0.917
SG72P10A-65	SG72P19A-65	SG72P21A-65	SG72P26A-65	SG72P28A-65	65	0.9028	0.931
SG72P10A-70	SG72P19A-70	SG72P21A-70	SG72P26A-70	SG72P28A-70	70	0.9722	1.000
SG72P10A-72	SG72P19A-72	SG72P21A-72	SG72P26A-72	SG72P28A-72	72	1.0000	1.028
SG72P10A-75	SG72P19A-75	SG72P21A-75	SG72P26A-75	SG72P28A-75	75	1.0417	1.069
SG72P10A-80	SG72P19A-80	SG72P21A-80	SG72P26A-80	SG72P28A-80	80	1.1111	1.139
SG72P10A-84	SG72P19A-84	SG72P21A-84	SG72P26A-84	SG72P28A-84	84	1.1667	1.194
SG72P10A-85	SG72P19A-85	SG72P21A-85	SG72P26A-85	SG72P28A-85	85	1.1806	1.208
SG72P10A-90	SG72P19A-90	SG72P21A-90	SG72P26A-90	SG72P28A-90	90	1.2500	1.278
SG72P10A-92	SG72P19A-92	SG72P21A-92	SG72P26A-92	SG72P28A-92	92	1.2778	1.306
SG72P10A-95	SG72P19A-95	SG72P21A-95	SG72P26A-95	SG72P28A-95	95	1.3194	1.347
SG72P10A-96	SG72P19A-96	SG72P21A-96	SG72P26A-96	SG72P28A-96	96	1.3333	1.361
SG72P10A-100	SG72P19A-100	SG72P21A-100	SG72P26A-100	SG72P28A-100	100	1.3889	1.417
SG72P10A-110	SG72P19A-110	SG72P21A-110	SG72P26A-110	SG72P28A-110	110	1.5278	1.556
SG72P10A-117	SG72P19A-117	SG72P21A-117	SG72P26A-117	SG72P28A-117	117	1.6250	1.653
SG72P10A-120	SG72P19A-120	SG72P21A-120	SG72P26A-120	SG72P28A-120	120	1.6667	1.694
SG72P10A-130	SG72P19A-130	SG72P21A-130	SG72P26A-130	SG72P28A-130	130	1.8056	1.833
SG72P10A-140	SG72P19A-140	SG72P21A-140	SG72P26A-140	SG72P28A-140	140	1.9444	1.972
SG72P10A-144	SG72P19A-144	SG72P21A-144	SG72P26A-144	SG72P28A-144	144	2.0000	2.028
SG72P10A-150	SG72P19A-150	SG72P21A-150	SG72P26A-150	SG72P28A-150	150	2.0833	2.111
SG72P10A-151	SG72P19A-151	SG72P21A-151	SG72P26A-151	SG72P28A-151	151	2.0972	2.125
SG72P10A-152	SG72P19A-152	SG72P21A-152	SG72P26A-152	SG72P28A-152	152	2.1111	2.139
SG72P10A-153	SG72P19A-153	SG72P21A-153	SG72P26A-153	SG72P28A-153	153	2.1250	2.153

▲ Teeth cut into hub. Hub diameter may equal O.D.

**Materials:**

Aluminum - anodized

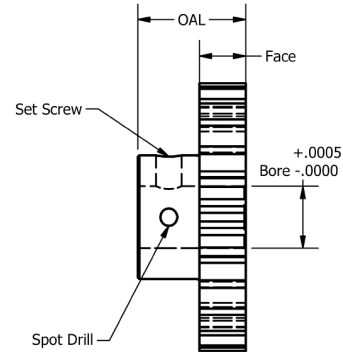
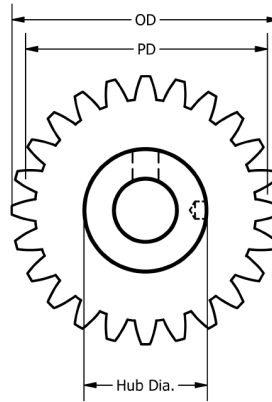
**On Request:**

14-1/2° Pressure Angle - additional number of teeth.

Customized or custom versions can be produced with accurate deliveries. Please call us with your needs.

## 72 Pitch Precision Spur Gears - Set Screw Hub

303 Stainless Steel, AGMA Quality 10, 20° Pressure Angle



Part Number					No. of Teeth	Pitch Dia. PD	Outside Dia. OD
0.1248 Bore 0.125 Face 0.313 HD 0.313 OAL #2-56 Screw	0.1873 Bore 0.125 Face 0.375 HD 0.344 OAL #4-40 Screw	0.1873 Bore 0.188 Face 0.375 HD 0.406 OAL #4-40 Screw	0.2498 Bore 0.125 Face 0.500 HD 0.375 OAL #6-32 Screw	0.2498 Bore 0.188 Face 0.500 HD 0.438 OAL #6-32 Screw			
SG72P10S-20 ▲	---	---	---	---	20	0.2778	0.306
SG72P10S-22 ▲	SG72P19S-22 ▲	---	---	---	22	0.3056	0.333
SG72P10S-23 ▲	SG72P19S-23 ▲	---	---	---	23	0.3194	0.347
SG72P10S-24	SG72P19S-24 ▲	SG72P21S-24 ▲	---	---	24	0.3333	0.361
SG72P10S-25	SG72P19S-25 ▲	SG72P21S-25 ▲	---	---	25	0.3472	0.375
SG72P10S-26	SG72P19S-26 ▲	SG72P21S-26 ▲	---	---	26	0.3611	0.389
SG72P10S-27	SG72P19S-27 ▲	SG72P21S-27 ▲	---	---	27	0.3750	0.403
SG72P10S-28	SG72P19S-28 ▲	SG72P21S-28 ▲	---	---	28	0.3889	0.417
SG72P10S-29	SG72P19S-29	SG72P21S-29	---	---	29	0.4028	0.431
SG72P10S-30	SG72P19S-30	SG72P21S-30	SG72P26S-30 ▲	SG72P28S-30 ▲	30	0.4167	0.444
SG72P10S-32	SG72P19S-32	SG72P21S-32	SG72P26S-32 ▲	SG72P28S-32 ▲	32	0.4444	0.472
SG72P10S-34	SG72P19S-34	SG72P21S-34	SG72P26S-34 ▲	SG72P28S-34 ▲	34	0.4722	0.500
SG72P10S-35	SG72P19S-35	SG72P21S-35	SG72P26S-35 ▲	SG72P28S-35 ▲	35	0.4861	0.514
SG72P10S-36	SG72P19S-36	SG72P21S-36	SG72P26S-36 ▲	SG72P28S-36 ▲	36	0.5000	0.528
SG72P10S-38	SG72P19S-38	SG72P21S-38	SG72P26S-38	SG72P28S-38	38	0.5278	0.556
SG72P10S-40	SG72P19S-40	SG72P21S-40	SG72P26S-40	SG72P28S-40	40	0.5556	0.583
SG72P10S-42	SG72P19S-42	SG72P21S-42	SG72P26S-42	SG72P28S-42	42	0.5833	0.611
SG72P10S-44	SG72P19S-44	SG72P21S-44	SG72P26S-44	SG72P28S-44	44	0.6111	0.639
SG72P10S-45	SG72P19S-45	SG72P21S-45	SG72P26S-45	SG72P28S-45	45	0.6250	0.653
SG72P10S-46	SG72P19S-46	SG72P21S-46	SG72P26S-46	SG72P28S-46	46	0.6389	0.667
SG72P10S-48	SG72P19S-48	SG72P21S-48	SG72P26S-48	SG72P28S-48	48	0.6667	0.694
SG72P10S-50	SG72P19S-50	SG72P21S-50	SG72P26S-50	SG72P28S-50	50	0.6944	0.722
SG72P10S-54	SG72P19S-54	SG72P21S-54	SG72P26S-54	SG72P28S-54	54	0.7500	0.778
SG72P10S-55	SG72P19S-55	SG72P21S-55	SG72P26S-55	SG72P28S-55	55	0.7639	0.792
SG72P10S-56	SG72P19S-56	SG72P21S-56	SG72P26S-56	SG72P28S-56	56	0.7778	0.806

▲Teeth cut into hub. Hub diameter may equal O.D.

Continued on next page

**Materials:**

303 Stainless Steel

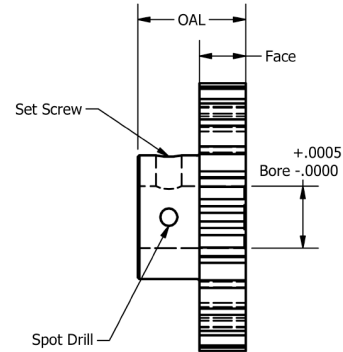
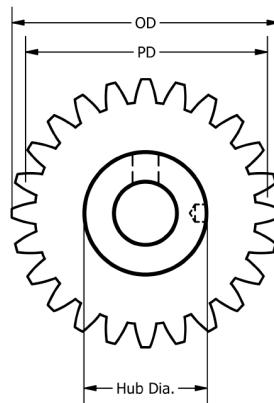
**On Request:**

14-1/2° Pressure Angle - additional number of teeth.

Customized or custom versions can be produced with accurate deliveries. Please call us with your needs.

## 72 Pitch Precision Spur Gears - Set Screw Hub

303 Stainless Steel, AGMA Quality 10, 20° Pressure Angle



Part Number					No. of Teeth	Pitch Dia. PD	Outside Dia. OD
0.1248 Bore 0.125 Face 0.313 HD 0.313 OAL #2-56 Screw	0.1873 Bore 0.125 Face 0.375 HD 0.344 OAL #4-40 Screw	0.1873 Bore 0.188 Face 0.375 HD 0.406 OAL #4-40 Screw	0.2498 Bore 0.125 Face 0.500 HD 0.375 OAL #6-32 Screw	0.2498 Bore 0.188 Face 0.500 HD 0.438 OAL #6-32 Screw			
SG72P10S-60	SG72P19S-60	SG72P21S-60	SG72P26S-60	SG72P28S-60	60	0.8333	0.861
SG72P10S-64	SG72P19S-64	SG72P21S-64	SG72P26S-64	SG72P28S-64	64	0.8889	0.917
SG72P10S-65	SG72P19S-65	SG72P21S-65	SG72P26S-65	SG72P28S-65	65	0.9028	0.931
SG72P10S-70	SG72P19S-70	SG72P21S-70	SG72P26S-70	SG72P28S-70	70	0.9722	1.000
SG72P10S-72	SG72P19S-72	SG72P21S-72	SG72P26S-72	SG72P28S-72	72	1.0000	1.028
SG72P10S-75	SG72P19S-75	SG72P21S-75	SG72P26S-75	SG72P28S-75	75	1.0417	1.069
SG72P10S-80	SG72P19S-80	SG72P21S-80	SG72P26S-80	SG72P28S-80	80	1.1111	1.139
SG72P10S-84	SG72P19S-84	SG72P21S-84	SG72P26S-84	SG72P28S-84	84	1.1667	1.194
SG72P10S-85	SG72P19S-85	SG72P21S-85	SG72P26S-85	SG72P28S-85	85	1.1806	1.208
SG72P10S-90	SG72P19S-90	SG72P21S-90	SG72P26S-90	SG72P28S-90	90	1.2500	1.278
SG72P10S-92	SG72P19S-92	SG72P21S-92	SG72P26S-92	SG72P28S-92	92	1.2778	1.306
SG72P10S-95	SG72P19S-95	SG72P21S-95	SG72P26S-95	SG72P28S-95	95	1.3194	1.347
SG72P10S-96	SG72P19S-96	SG72P21S-96	SG72P26S-96	SG72P28S-96	96	1.3333	1.361
SG72P10S-100	SG72P19S-100	SG72P21S-100	SG72P26S-100	SG72P28S-100	100	1.3889	1.417
SG72P10S-110	SG72P19S-110	SG72P21S-110	SG72P26S-110	SG72P28S-110	110	1.5278	1.556
SG72P10S-117	SG72P19S-117	SG72P21S-117	SG72P26S-117	SG72P28S-117	117	1.6250	1.653
SG72P10S-120	SG72P19S-120	SG72P21S-120	SG72P26S-120	SG72P28S-120	120	1.6667	1.694
SG72P10S-130	SG72P19S-130	SG72P21S-130	SG72P26S-130	SG72P28S-130	130	1.8056	1.833
SG72P10S-140	SG72P19S-140	SG72P21S-140	SG72P26S-140	SG72P28S-140	140	1.9444	1.972
SG72P10S-144	SG72P19S-144	SG72P21S-144	SG72P26S-144	SG72P28S-144	144	2.0000	2.028
SG72P10S-150	SG72P19S-150	SG72P21S-150	SG72P26S-150	SG72P28S-150	150	2.0833	2.111
SG72P10S-151	SG72P19S-151	SG72P21S-151	SG72P26S-151	SG72P28S-151	151	2.0972	2.125
SG72P10S-152	SG72P19S-152	SG72P21S-152	SG72P26S-152	SG72P28S-152	152	2.1111	2.139
SG72P10S-153	SG72P19S-153	SG72P21S-153	SG72P26S-153	SG72P28S-153	153	2.1250	2.153

▲ Teeth cut into hub. Hub diameter may equal O.D.

**Materials:**

303 Stainless Steel

**On Request:**

14-1/2° Pressure Angle - additional number of teeth.

Customized or custom versions can be produced with accurate deliveries.

Please call us with your needs.

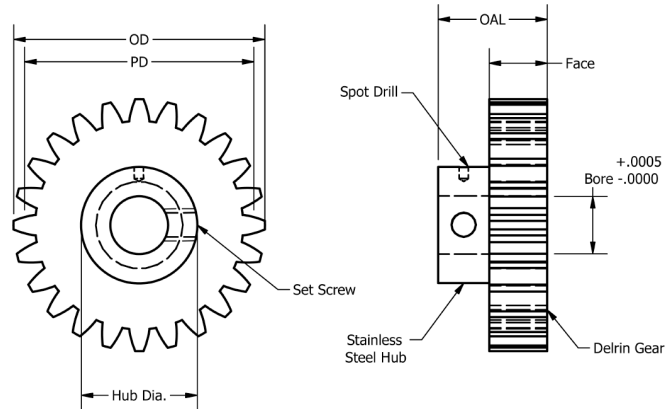
**SGP-XD**  
**72 Pitch**

# GEARS

**SGP-XD**  
**72 Pitch**

## 72 Pitch Precision Spur Gears - Split Hub

Delrin Gear with Stainless Hub, AGMA Quality 10, 20° Pressure Angle



Part Number		No. of Teeth	Pitch Dia. PD	Outside Dia. OD
0.1873 Bore 0.188 Face 0.500 HD 0.438 OAL #6-32 Screw	0.2498 Bore 0.188 Face 0.500 HD 0.438 OAL #6-32 Screw			
SG72P21XD-45	SG72P28XD-45	45	0.6250	0.653
SG72P21XD-54	SG72P28XD-54	54	0.7500	0.778
SG72P21XD-60	SG72P28XD-60	60	0.8333	0.861
SG72P21XD-72	SG72P28XD-72	72	1.0000	1.028
SG72P21XD-90	SG72P28XD-90	90	1.2500	1.278
SG72P21XD-117	SG72P28XD-117	117	1.6250	1.653
SG72P21XD-144	SG72P28XD-144	144	2.0000	2.028
SG72P21XD-153	SG72P28XD-153	153	2.1250	2.153

**Materials:**

Delrin gear with 303 Stainless Steel hub.

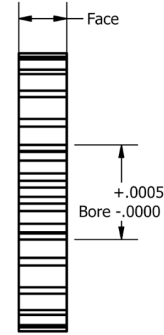
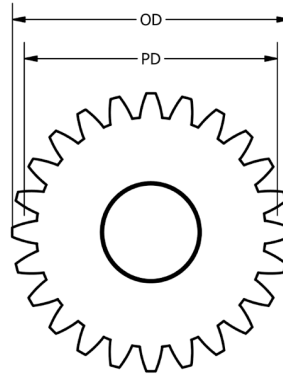
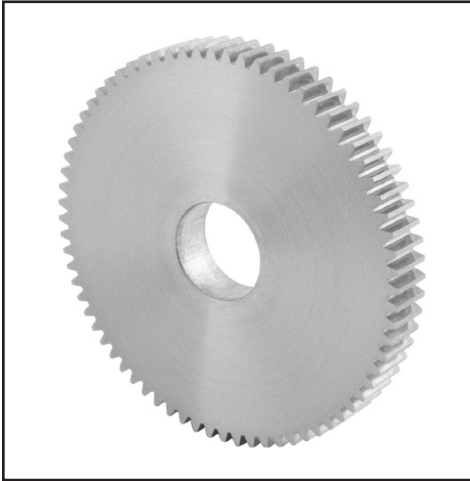
**On Request:**

14-1/2° Pressure Angle - additional number of teeth.

Customized or custom versions can be produced with accurate deliveries. Please call us with your needs.

## 72 Pitch Precision Spur Gears - Flat

Aluminum, Stainless Steel, Delrin, AGMA Quality 10, 20° Pressure Angle



Part Number			No. of Teeth	Pitch Dia. PD	Outside Dia. OD
Aluminum	Stainless Steel	Delrin			
0.3748 Bore 0.125 Face	0.3748 Bore 0.125 Face	0.3748 Bore 0.187 Face			
SG72F3A-45	SG72F3S-45	SG72F5D-45	45	0.6250	0.653
SG72F3A-48	SG72F3S-48	SG72F5D-48	48	0.6667	0.694
SG72F3A-50	SG72F3S-50	SG72F5D-50	50	0.6944	0.722
SG72F3A-54	SG72F3S-54	SG72F5D-54	54	0.7500	0.778
SG72F3A-55	SG72F3S-55	SG72F5D-55	55	0.7639	0.792
SG72F3A-60	SG72F3S-60	SG72F5D-60	60	0.8333	0.861
SG72F3A-64	SG72F3S-64	SG72F5D-64	64	0.8889	0.917
SG72F3A-65	SG72F3S-65	SG72F5D-65	65	0.9028	0.931
SG72F3A-70	SG72F3S-70	SG72F5D-70	70	0.9722	1.000
SG72F3A-72	SG72F3S-72	SG72F5D-72	72	1.0000	1.028
SG72F3A-75	SG72F3S-75	SG72F5D-75	75	1.0417	1.069
SG72F3A-80	SG72F3S-80	SG72F5D-80	80	1.1111	1.139
SG72F3A-84	SG72F3S-84	SG72F5D-84	84	1.1667	1.194
SG72F3A-85	SG72F3S-85	SG72F5D-85	85	1.1806	1.208
SG72F3A-90	SG72F3S-90	SG72F5D-90	90	1.2500	1.278
SG72F3A-92	SG72F3S-92	SG72F5D-92	92	1.2778	1.306
SG72F3A-95	SG72F3S-95	SG72F5D-95	95	1.3194	1.347
SG72F3A-96	SG72F3S-96	SG72F5D-96	96	1.3333	1.361
SG72F3A-100	SG72F3S-100	SG72F5D-100	100	1.3889	1.417
SG72F3A-110	SG72F3S-110	SG72F5D-110	110	1.5278	1.556
SG72F3A-117	SG72F3S-117	---	117	1.6250	1.653
SG72F3A-120	SG72F3S-120	SG72F5D-120	120	1.6667	1.694
SG72F3A-130	SG72F3S-130	SG72F5D-130	130	1.8056	1.833
SG72F3A-140	SG72F3S-140	SG72F5D-140	140	1.9444	1.972
SG72F3A-144	SG72F3S-144	SG72F5D-144	144	2.0000	2.028
SG72F3A-150	SG72F3S-150	SG72F5D-150	150	2.0833	2.111
SG72F3A-160	SG72F3S-160	SG72F5D-160	160	2.2222	2.250
SG72F3A-180	SG72F3S-180	SG72F5D-180	180	2.5000	2.528
SG72F3A-192	SG72F3S-192	SG72F5D-192	192	2.6667	2.694
SG72F3A-200	SG72F3S-200	SG72F5D-200	200	2.7778	2.806
SG72F3A-216	SG72F3S-216	SG72F5D-216	216	3.0000	3.028
SG72F3A-288	SG72F3S-288	SG72F5D-288	288	4.0000	4.028

**Materials:**

Aluminum - Anodized, 303 Stainless Steel, Delrin

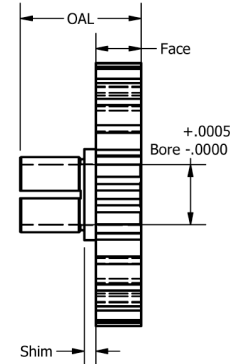
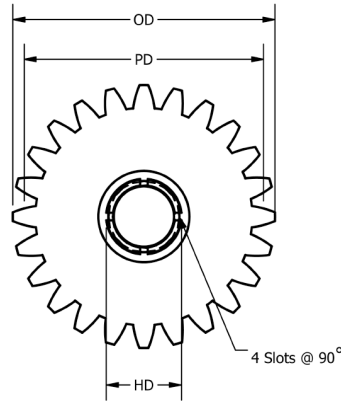
**On Request:**

14-1/2° Pressure Angle - additional number of teeth.

Customized or custom versions can be produced with accurate deliveries. Please call us with your needs.

## 72 Pitch Precision Spur Gears - Split Hub

Aluminum, Stainless Steel, AGMA Quality 10, 20° Pressure Angle



Part Number						No. of Teeth	Pitch Dia. PD	Outside Dia. OD
Aluminum			Stainless Steel					
0.1248 Bore 0.125 Face 0.187 HD 0.406 OAL SH4-2624.188H Clamp	0.1873 Bore 0.125 Face 0.250 HD 0.406 OAL SH1-2825.250S Clamp	0.2498 Bore 0.125 Face 0.312 HD 0.406 OAL SH1-2825.313S Clamp	0.1248 Bore 0.125 Face 0.187 HD 0.406 OAL SH4-2624.188H Clamp	0.1873 Bore 0.125 Face 0.250 HD 0.406 OAL SH1-2825.250S Clamp	0.2498 Bore 0.125 Face 0.312 HD 0.406 OAL SH1-2825.313S Clamp			
SG72C7A-20	---	---	SG72C7S-20	---	---	20	0.2778	0.306
SG72C7A-22	---	---	SG72C7S-22	---	---	22	0.3056	0.333
SG72C7A-23	---	---	SG72C7S-23	---	---	23	0.3194	0.347
SG72C7A-25	---	---	SG72C7S-25	---	---	25	0.3472	0.375
SG72C7A-26	---	---	SG72C7S-26	---	---	26	0.3611	0.389
SG72C7A-27	---	---	SG72C7S-27	---	---	27	0.3750	0.403
SG72C7A-28	---	---	SG72C7S-28	---	---	28	0.3889	0.417
SG72C7A-30	SG72C14A-30	---	SG72C7S-30	SG72C14S-30	---	30	0.4167	0.444
SG72C7A-32	SG72C14A-32	---	SG72C7S-32	SG72C14S-32	---	32	0.4444	0.472
SG72C7A-34	SG72C14A-34	---	SG72C7S-34	SG72C14S-34	---	34	0.4722	0.500
SG72C7A-36	SG72C14A-36	---	SG72C7S-36	SG72C14S-36	---	36	0.5000	0.528
SG72C7A-38	SG72C14A-38	---	SG72C7S-38	SG72C14S-38	---	38	0.5278	0.556
SG72C7A-40	SG72C14A-40	---	SG72C7S-40	SG72C14S-40	---	40	0.5556	0.583
SG72C7A-42	SG72C14A-42	---	SG72C7S-42	SG72C14S-42	---	42	0.5833	0.611
SG72C7A-50	SG72C14A-50	SG72C18A-50	SG72C7S-50	SG72C14S-50	SG72C18S-50	50	0.6944	0.722
SG72C7A-56	SG72C14A-56	SG72C18A-56	SG72C7S-56	SG72C14S-56	SG72C18S-56	56	0.7778	0.806
SG72C7A-60	SG72C14A-60	SG72C18A-60	SG72C7S-60	SG72C14S-60	SG72C18S-60	60	0.8333	0.861
SG72C7A-64	SG72C14A-64	SG72C18A-64	SG72C7S-64	SG72C14S-64	SG72C18S-64	64	0.8889	0.917
SG72C7A-70	SG72C14A-70	SG72C18A-70	SG72C7S-70	SG72C14S-70	SG72C18S-70	70	0.9722	1.000
SG72C7A-72	SG72C14A-72	SG72C18A-72	SG72C7S-72	SG72C14S-72	SG72C18S-72	72	1.0000	1.028
SG72C7A-75	SG72C14A-75	SG72C18A-75	SG72C7S-75	SG72C14S-75	SG72C18S-75	75	1.0417	1.069
SG72C7A-80	SG72C14A-80	SG72C18A-80	SG72C7S-80	SG72C14S-80	SG72C18S-80	80	1.1111	1.139
SG72C7A-81	SG72C14A-81	SG72C18A-81	SG72C7S-81	SG72C14S-81	SG72C18S-81	81	1.1250	1.153
SG72C7A-85	SG72C14A-85	SG72C18A-85	SG72C7S-85	SG72C14S-85	SG72C18S-85	85	1.1806	1.208
SG72C7A-90	SG72C14A-90	SG72C18A-90	SG72C7S-90	SG72C14S-90	SG72C18S-90	90	1.2500	1.278
SG72C7A-96	SG72C14A-96	SG72C18A-96	SG72C7S-96	SG72C14S-96	SG72C18S-96	96	1.3333	1.361
---	SG72C14A-100	SG72C18A-100	---	SG72C14S-100	SG72C18S-100	100	1.3889	1.417
---	SG72C14A-108	SG72C18A-108	---	SG72C14S-108	SG72C18S-108	108	1.5000	1.528
---	SG72C14A-126	SG72C18A-126	---	SG72C14S-126	SG72C18S-126	126	1.7500	1.778
---	SG72C14A-144	SG72C18A-144	---	SG72C14S-144	SG72C18S-144	144	2.0000	2.028
---	SG72C14A-160	SG72C18A-160	---	SG72C14S-160	SG72C18S-160	160	2.2222	2.250

**Materials:**

Aluminum - Anodized, 303 Stainless Steel

**On Request:**

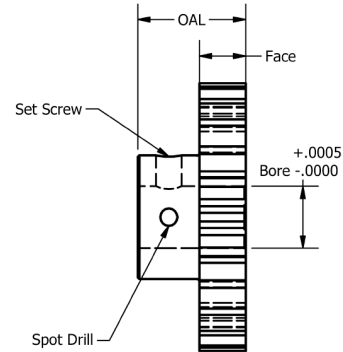
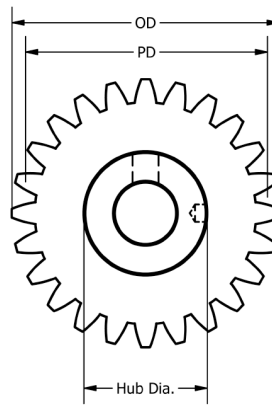
14-1/2° Pressure Angle - additional number of teeth.

Customized or custom versions can be produced with accurate deliveries.

Please call us with your needs.

## 80 Pitch Precision Spur Gears - Set Screw Hub

Aluminum - Anodized, AGMA Quality 10, 20° Pressure Angle



Part Number					No. of Teeth	Pitch Dia. PD	Outside Dia. OD
0.1248 Bore 0.125 Face 0.313 HD 0.313 OAL #2-56 Screw	0.1873 Bore 0.125 Face 0.375 HD 0.344 OAL #4-40 Screw	0.1873 Bore 0.188 Face 0.375 HD 0.406 OAL #4-40 Screw	0.2498 Bore 0.125 Face 0.500 HD 0.375 OAL #6-32 Screw	0.2498 Bore 0.188 Face 0.500 HD 0.438 OAL #6-32 Screw			
SG80P10A-24 ▲	---	---	---	---	24	0.3000	0.325
SG80P10A-25 ▲	---	---	---	---	25	0.3125	0.338
SG80P10A-26 ▲	SG80P19A-26 ▲	SG80P21A-26 ▲	---	---	26	0.3250	0.350
SG80P10A-27	SG80P19A-27 ▲	SG80P21A-27 ▲	---	---	27	0.3375	0.363
SG80P10A-28	SG80P19A-28 ▲	SG80P21A-28 ▲	---	---	28	0.3500	0.375
SG80P10A-30	SG80P19A-30 ▲	SG80P21A-30 ▲	---	---	30	0.3750	0.400
SG80P10A-32	SG80P19A-32	SG80P21A-32	---	---	32	0.4000	0.425
SG80P10A-35	SG80P19A-35	SG80P21A-35	---	---	35	0.4375	0.463
SG80P10A-36	SG80P19A-36	SG80P21A-36	SG80P26A-36 ▲	SG80P28A-36 ▲	36	0.4500	0.475
SG80P10A-40	SG80P19A-40	SG80P21A-40	SG80P26A-40 ▲	SG80P28A-40 ▲	40	0.5000	0.525
SG80P10A-42	SG80P19A-42	SG80P21A-42	SG80P26A-42	SG80P28A-42	42	0.5250	0.550
SG80P10A-44	SG80P19A-44	SG80P21A-44	SG80P26A-44	SG80P28A-44	44	0.5500	0.575
SG80P10A-45	SG80P19A-45	SG80P21A-45	SG80P26A-45	SG80P28A-45	45	0.5625	0.588
SG80P10A-48	SG80P19A-48	SG80P21A-48	SG80P26A-48	SG80P28A-48	48	0.6000	0.625
SG80P10A-50	SG80P19A-50	SG80P21A-50	SG80P26A-50	SG80P28A-50	50	0.6250	0.650
SG80P10A-55	SG80P19A-55	SG80P21A-55	SG80P26A-55	SG80P28A-55	55	0.6875	0.713
SG80P10A-56	SG80P19A-56	SG80P21A-56	SG80P26A-56	SG80P28A-56	56	0.7000	0.725
SG80P10A-60	SG80P19A-60	SG80P21A-60	SG80P26A-60	SG80P28A-60	60	0.7500	0.775
SG80P10A-64	SG80P19A-64	SG80P21A-64	SG80P26A-64	SG80P28A-64	64	0.8000	0.825
SG80P10A-65	SG80P19A-65	SG80P21A-65	SG80P26A-65	SG80P28A-65	65	0.8125	0.838
SG80P10A-70	SG80P19A-70	SG80P21A-70	SG80P26A-70	SG80P28A-70	70	0.8750	0.900
SG80P10A-72	SG80P19A-72	SG80P21A-72	SG80P26A-72	SG80P28A-72	72	0.9000	0.925
SG80P10A-75	SG80P19A-75	SG80P21A-75	SG80P26A-75	SG80P28A-75	75	0.9375	0.963
SG80P10A-80	SG80P19A-80	SG80P21A-80	SG80P26A-80	SG80P28A-80	80	1.0000	1.025
SG80P10A-88	SG80P19A-88	SG80P21A-88	SG80P26A-88	SG80P28A-88	88	1.1000	1.125
SG80P10A-90	SG80P19A-90	SG80P21A-90	SG80P26A-90	SG80P28A-90	90	1.1250	1.150
SG80P10A-96	SG80P19A-96	SG80P21A-96	SG80P26A-96	SG80P28A-96	96	1.2000	1.225
SG80P10A-100	SG80P19A-100	SG80P21A-100	SG80P26A-100	SG80P28A-100	100	1.2500	1.275
SG80P10A-110	SG80P19A-110	SG80P21A-110	SG80P26A-110	SG80P28A-110	110	1.3750	1.400
SG80P10A-120	SG80P19A-120	SG80P21A-120	SG80P26A-120	SG80P28A-120	120	1.5000	1.525
SG80P10A-130	SG80P19A-130	SG80P21A-130	SG80P26A-130	SG80P28A-130	130	1.6250	1.650
SG80P10A-140	SG80P19A-140	SG80P21A-140	SG80P26A-140	SG80P28A-140	140	1.7500	1.775
SG80P10A-150	SG80P19A-150	SG80P21A-150	SG80P26A-150	SG80P28A-150	150	1.8750	1.900

▲Teeth cut into hub. Hub diameter may equal O.D.

**Materials:**

Aluminum - anodized

**On Request:**

14-1/2° Pressure Angle - additional number of teeth.

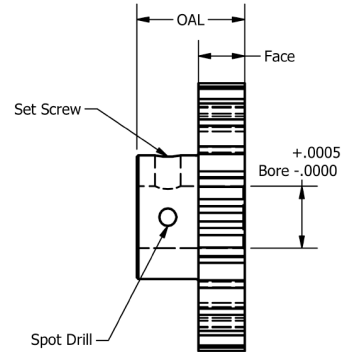
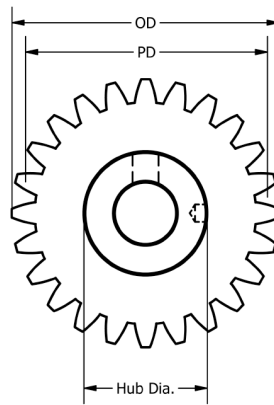
Customized or custom versions can be produced with accurate deliveries.

Please call us with your needs.



## 80 Pitch Precision Spur Gears - Set Screw Hub

303 Stainless Steel, AGMA Quality 10, 20° Pressure Angle



Part Number					No. of Teeth	Pitch Dia. PD	Outside Dia. OD
0.1248 Bore 0.125 Face 0.313 HD 0.313 OAL #2-56 Screw	0.1873 Bore 0.125 Face 0.375 HD 0.344 OAL #4-40 Screw	0.1873 Bore 0.188 Face 0.375 HD 0.406 OAL #4-40 Screw	0.2498 Bore 0.125 Face 0.500 HD 0.375 OAL #6-32 Screw	0.2498 Bore 0.188 Face 0.500 HD 0.438 OAL #6-32 Screw			
SG80P10S-24 ▲	---	---	---	---	24	0.3000	0.325
SG80P10S-25 ▲	---	---	---	---	25	0.3125	0.338
SG80P10S-26 ▲	SG80P19S-26 ▲	SG80P21S-26 ▲	---	---	26	0.3250	0.350
SG80P10S-27	SG80P19S-27 ▲	SG80P21S-27 ▲	---	---	27	0.3375	0.363
SG80P10S-28	SG80P19S-28 ▲	SG80P21S-28 ▲	---	---	28	0.3500	0.375
SG80P10S-30	SG80P19S-30 ▲	SG80P21S-30 ▲	---	---	30	0.3750	0.400
SG80P10S-32	SG80P19S-32	SG80P21S-32	---	---	32	0.4000	0.425
SG80P10S-35	SG80P19S-35	SG80P21S-35	---	---	35	0.4375	0.463
SG80P10S-36	SG80P19S-36	SG80P21S-36	SG80P26S-36 ▲	SG80P28S-36 ▲	36	0.4500	0.475
SG80P10S-40	SG80P19S-40	SG80P21S-40	SG80P26S-40 ▲	SG80P28S-40 ▲	40	0.5000	0.525
SG80P10S-42	SG80P19S-42	SG80P21S-42	SG80P26S-42	SG80P28S-42	42	0.5250	0.550
SG80P10S-44	SG80P19S-44	SG80P21S-44	SG80P26S-44	SG80P28S-44	44	0.5500	0.575
SG80P10S-45	SG80P19S-45	SG80P21S-45	SG80P26S-45	SG80P28S-45	45	0.5625	0.588
SG80P10S-48	SG80P19S-48	SG80P21S-48	SG80P26S-48	SG80P28S-48	48	0.6000	0.625
SG80P10S-50	SG80P19S-50	SG80P21S-50	SG80P26S-50	SG80P28S-50	50	0.6250	0.650
SG80P10S-55	SG80P19S-55	SG80P21S-55	SG80P26S-55	SG80P28S-55	55	0.6875	0.713
SG80P10S-56	SG80P19S-56	SG80P21S-56	SG80P26S-56	SG80P28S-56	56	0.7000	0.725
SG80P10S-60	SG80P19S-60	SG80P21S-60	SG80P26S-60	SG80P28S-60	60	0.7500	0.775
SG80P10S-64	SG80P19S-64	SG80P21S-64	SG80P26S-64	SG80P28S-64	64	0.8000	0.825
SG80P10S-65	SG80P19S-65	SG80P21S-65	SG80P26S-65	SG80P28S-65	65	0.8125	0.838
SG80P10S-70	SG80P19S-70	SG80P21S-70	SG80P26S-70	SG80P28S-70	70	0.8750	0.900
SG80P10S-72	SG80P19S-72	SG80P21S-72	SG80P26S-72	SG80P28S-72	72	0.9000	0.925
SG80P10S-75	SG80P19S-75	SG80P21S-75	SG80P26S-75	SG80P28S-75	75	0.9375	0.963
SG80P10S-80	SG80P19S-80	SG80P21S-80	SG80P26S-80	SG80P28S-80	80	1.0000	1.025
SG80P10S-88	SG80P19S-88	SG80P21S-88	SG80P26S-88	SG80P28S-88	88	1.1000	1.125
SG80P10S-90	SG80P19S-90	SG80P21S-90	SG80P26S-90	SG80P28S-90	90	1.1250	1.150
SG80P10S-96	SG80P19S-96	SG80P21S-96	SG80P26S-96	SG80P28S-96	96	1.2000	1.225
SG80P10S-100	SG80P19S-100	SG80P21S-100	SG80P26S-100	SG80P28S-100	100	1.2500	1.275
SG80P10S-110	SG80P19S-110	SG80P21S-110	SG80P26S-110	SG80P28S-110	110	1.3750	1.400
SG80P10S-120	SG80P19S-120	SG80P21S-120	SG80P26S-120	SG80P28S-120	120	1.5000	1.525
SG80P10S-130	SG80P19S-130	SG80P21S-130	SG80P26S-130	SG80P28S-130	130	1.6250	1.650
SG80P10S-140	SG80P19S-140	SG80P21S-140	SG80P26S-140	SG80P28S-140	140	1.7500	1.775
SG80P10S-150	SG80P19S-150	SG80P21S-150	SG80P26S-150	SG80P28S-150	150	1.8750	1.900

▲ Teeth cut into hub. Hub diameter may equal O.D.

**Materials:**

303 Stainless Steel

**On Request:**

14-1/2° Pressure Angle - additional number of teeth.

Customized or custom versions can be produced with accurate deliveries.

Please call us with your needs.

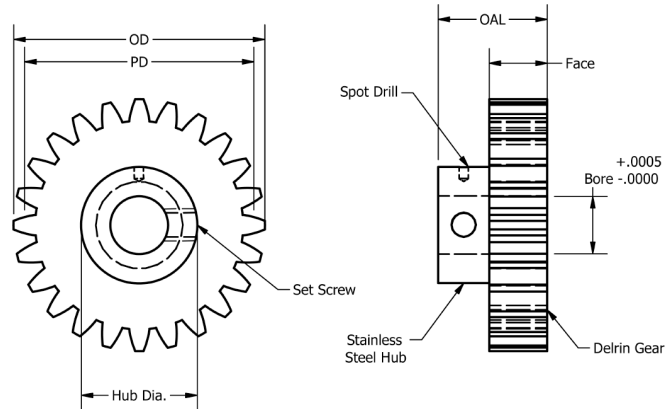
**SGP-XD**  
**80 Pitch**

# GEARS

**SGP-XD**  
**80 Pitch**

## 80 Pitch Precision Spur Gears - Split Hub

Delrin Gear with Stainless Hub, AGMA Quality 10, 20° Pressure Angle



Part Number		No. of Teeth	Pitch Dia. PD	Outside Dia. OD
0.1873 Bore 0.188 Face 0.500 HD 0.438 OAL #6-32 Screw	0.2498 Bore 0.188 Face 0.500 HD 0.438 OAL #6-32 Screw			
SG80P21XD-60	SG80P28XD-60	60	0.7500	0.775
SG80P21XD-64	SG80P28XD-64	64	0.8000	0.825
SG80P21XD-65	SG80P28XD-65	65	0.8125	0.838
SG80P21XD-70	SG80P28XD-70	70	0.8750	0.900
SG80P21XD-72	SG80P28XD-72	72	0.9000	0.925
SG80P21XD-75	SG80P28XD-75	75	0.9375	0.963
SG80P21XD-80	SG80P28XD-80	80	1.0000	1.025
SG80P21XD-88	SG80P28XD-88	88	1.1000	1.125
SG80P21XD-90	SG80P28XD-90	90	1.1250	1.150
SG80P21XD-96	SG80P28XD-96	96	1.2000	1.225
SG80P21XD-100	SG80P28XD-100	100	1.2500	1.275
SG80P21XD-110	SG80P28XD-110	110	1.3750	1.400
SG80P21XD-120	SG80P28XD-120	120	1.5000	1.525
SG80P21XD-130	SG80P28XD-130	130	1.6250	1.650
SG80P21XD-140	SG80P28XD-140	140	1.7500	1.775
SG80P21XD-150	SG80P28XD-150	150	1.8750	1.900
SG80P21XD-160	SG80P28XD-160	160	2.0000	2.025
SG80P21XD-180	SG80P28XD-180	180	2.2500	2.275
SG80P21XD-200	SG80P28XD-200	200	2.5000	2.525
SG80P21XD-240	SG80P28XD-240	240	3.0000	3.025

**Materials:**

Delrin gear with 303 Stainless Steel hub.

**On Request:**

14-1/2° Pressure Angle - additional number of teeth.

Customized or custom versions can be produced with accurate deliveries. Please call us with your needs.

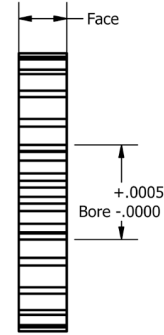
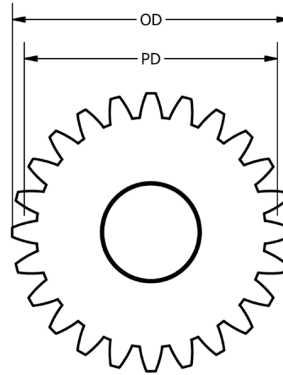
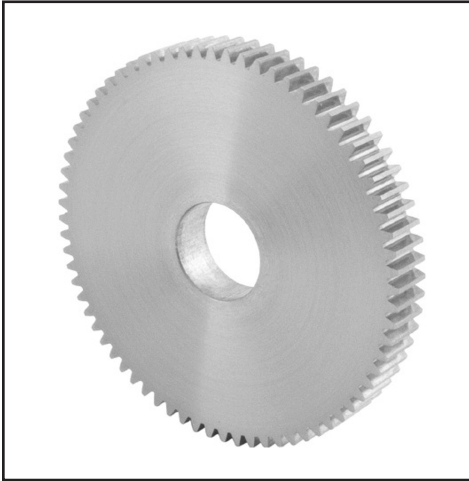
**SGF-A/S/D**  
**80 Pitch**

# GEARS

**SGF-A/S/D**  
**80 Pitch**

## 80 Pitch Precision Spur Gears - Flat

Aluminum, Stainless Steel, Delrin, AGMA Quality 10, 20° Pressure Angle



Part Number			No. of Teeth	Pitch Dia. PD	Outside Dia. OD
Aluminum	Stainless Steel	Delrin			
0.3748 Bore 0.125 Face	0.3748 Bore 0.125 Face	0.3748 Bore 0.187 Face			
SG80F3A-60	SG80F3S-60	SG80F5D-60	60	0.7500	0.775
SG80F3A-64	SG80F3S-64	SG80F5D-64	64	0.8000	0.825
SG80F3A-65	SG80F3S-65	SG80F5D-65	65	0.8125	0.838
SG80F3A-70	SG80F3S-70	SG80F5D-70	70	0.8750	0.900
SG80F3A-72	SG80F3S-72	SG80F5D-72	72	0.9000	0.925
SG80F3A-75	SG80F3S-75	SG80F5D-75	75	0.9375	0.963
SG80F3A-80	SG80F3S-80	SG80F5D-80	80	1.0000	1.025
SG80F3A-88	SG80F3S-88	SG80F5D-88	88	1.1000	1.125
SG80F3A-90	SG80F3S-90	SG80F5D-90	90	1.1250	1.150
SG80F3A-96	SG80F3S-96	SG80F5D-96	96	1.2000	1.225
SG80F3A-100	SG80F3S-100	SG80F5D-100	100	1.2500	1.275
SG80F3A-110	SG80F3S-110	SG80F5D-110	110	1.3750	1.400
SG80F3A-120	SG80F3S-120	SG80F5D-120	120	1.5000	1.525
SG80F3A-130	SG80F3S-130	SG80F5D-130	130	1.6250	1.650
SG80F3A-140	SG80F3S-140	SG80F5D-140	140	1.7500	1.775
SG80F3A-150	SG80F3S-150	SG80F5D-150	150	1.8750	1.900
SG80F3A-160	SG80F3S-160	SG80F5D-160	160	2.0000	2.025
SG80F3A-180	SG80F3S-180	SG80F5D-180	180	2.2500	2.275
SG80F3A-200	SG80F3S-200	SG80F5D-200	200	2.5000	2.525
SG80F3A-240	SG80F3S-240	SG80F5D-240	240	3.0000	3.025

**Materials:**

Aluminum - Anodized, 303 Stainless Steel, Delrin

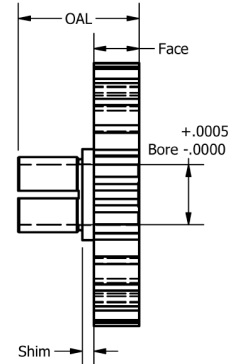
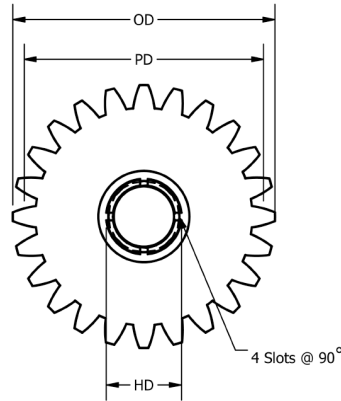
**On Request:**

14-1/2° Pressure Angle - additional number of teeth.

Customized or custom versions can be produced with accurate deliveries. Please call us with your needs.

## 80 Pitch Precision Spur Gears - Split Hub

Aluminum, Stainless Steel, AGMA Quality 10, 20° Pressure Angle



Part Number						No. of Teeth	Pitch Dia. PD	Outside Dia. OD
Aluminum			Stainless Steel					
0.1248 Bore 0.125 Face 0.187 HD 0.406 OAL	0.1873 Bore 0.125 Face 0.250 HD 0.406 OAL	0.2498 Bore 0.125 Face 0.312 HD 0.406 OAL	0.1248 Bore 0.125 Face 0.187 HD 0.406 OAL	0.1873 Bore 0.125 Face 0.250 HD 0.406 OAL	0.2498 Bore 0.125 Face 0.312 HD 0.406 OAL			
SH4-2624.188H Clamp	SH1-2825.250S Clamp	SH1-2825.313S Clamp	SH4-2624.188H Clamp	SH1-2825.250S Clamp	SH1-2825.313S Clamp			
SG80C7A-24	---	---	SG80C7S-24	---	---	24	0.3000	0.325
SG80C7A-25	---	---	SG80C7S-25	---	---	25	0.3125	0.338
SG80C7A-26	---	---	SG80C7S-26	---	---	26	0.3250	0.350
SG80C7A-27	---	---	SG80C7S-27	---	---	27	0.3375	0.363
SG80C7A-28	---	---	SG80C7S-28	---	---	28	0.3500	0.375
SG80C7A-30	SG80C14A-30	---	SG80C7S-30	SG80C14S-30	---	30	0.3750	0.400
SG80C7A-32	SG80C14A-32	---	SG80C7S-32	SG80C14S-32	---	32	0.4000	0.425
SG80C7A-35	SG80C14A-35	SG80C18A-35	SG80C7S-35	SG80C14S-35	SG80C18S-35	35	0.4375	0.463
SG80C7A-36	SG80C14A-36	SG80C18A-36	SG80C7S-36	SG80C14S-36	SG80C18S-36	36	0.4500	0.475
SG80C7A-40	SG80C14A-40	SG80C18A-40	SG80C7S-40	SG80C14S-40	SG80C18S-40	40	0.5000	0.525
SG80C7A-42	SG80C14A-42	SG80C18A-42	SG80C7S-42	SG80C14S-42	SG80C18S-42	42	0.5250	0.550
SG80C7A-44	SG80C14A-44	SG80C18A-44	SG80C7S-44	SG80C14S-44	SG80C18S-44	44	0.5500	0.575
SG80C7A-45	SG80C14A-45	SG80C18A-45	SG80C7S-45	SG80C14S-45	SG80C18S-45	45	0.5625	0.588
SG80C7A-48	SG80C14A-48	SG80C18A-48	SG80C7S-48	SG80C14S-48	SG80C18S-48	48	0.6000	0.625
SG80C7A-50	SG80C14A-50	SG80C18A-50	SG80C7S-50	SG80C14S-50	SG80C18S-50	50	0.6250	0.650
SG80C7A-55	SG80C14A-55	SG80C18A-55	SG80C7S-55	SG80C14S-55	SG80C18S-55	55	0.6875	0.713
SG80C7A-56	SG80C14A-56	SG80C18A-56	SG80C7S-56	SG80C14S-56	SG80C18S-56	56	0.7000	0.725
SG80C7A-60	SG80C14A-60	SG80C18A-60	SG80C7S-60	SG80C14S-60	SG80C18S-60	60	0.7500	0.775
SG80C7A-64	SG80C14A-64	SG80C18A-64	SG80C7S-64	SG80C14S-64	SG80C18S-64	64	0.8000	0.825
SG80C7A-65	SG80C14A-65	SG80C18A-65	SG80C7S-65	SG80C14S-65	SG80C18S-65	65	0.8125	0.838
SG80C7A-70	SG80C14A-70	SG80C18A-70	SG80C7S-70	SG80C14S-70	SG80C18S-70	70	0.8750	0.900
SG80C7A-72	SG80C14A-72	SG80C18A-72	SG80C7S-72	SG80C14S-72	SG80C18S-72	72	0.9000	0.925
SG80C7A-75	SG80C14A-75	SG80C18A-75	SG80C7S-75	SG80C14S-75	SG80C18S-75	75	0.9375	0.963
SG80C7A-80	SG80C14A-80	SG80C18A-80	SG80C7S-80	SG80C14S-80	SG80C18S-80	80	1.0000	1.025
SG80C7A-88	SG80C14A-88	SG80C18A-88	SG80C7S-88	SG80C14S-88	SG80C18S-88	88	1.1000	1.125
SG80C7A-90	SG80C14A-90	SG80C18A-90	SG80C7S-90	SG80C14S-90	SG80C18S-90	90	1.1250	1.150
SG80C7A-96	SG80C14A-96	SG80C18A-96	SG80C7S-96	SG80C14S-96	SG80C18S-96	96	1.2000	1.225
SG80C7A-100	SG80C14A-100	SG80C18A-100	SG80C7S-100	SG80C14S-100	SG80C18S-100	100	1.2500	1.275
---	SG80C14A-110	SG80C18A-110	---	SG80C14S-110	SG80C18S-110	110	1.3750	1.400
---	SG80C14A-120	SG80C18A-120	---	SG80C14S-120	SG80C18S-120	120	1.5000	1.525
---	SG80C14A-130	SG80C18A-130	---	SG80C14S-130	SG80C18S-130	130	1.6250	1.650
---	SG80C14A-140	SG80C18A-140	---	SG80C14S-140	SG80C18S-140	140	1.7500	1.775
---	SG80C14A-150	SG80C18A-150	---	SG80C14S-150	SG80C18S-150	150	1.8750	1.900

**Materials:**

Aluminum - Anodized, 303 Stainless Steel

**On Request:**

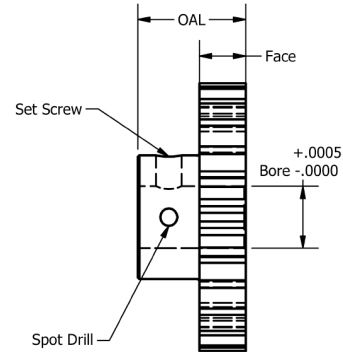
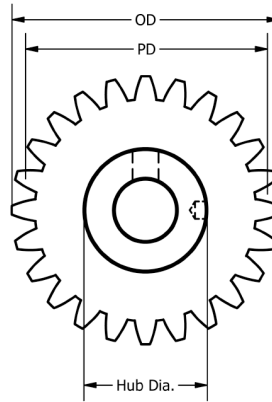
14-1/2° Pressure Angle - additional number of teeth.

Customized or custom versions can be produced with accurate deliveries.

Please call us with your needs.

## 96 Pitch Precision Spur Gears - Set Screw Hub

Aluminum - Anodized, AGMA Quality 10, 20° Pressure Angle



Part Number						No. of Teeth	Pitch Dia. PD	Outside Dia. OD
Aluminum			Stainless Steel					
0.1248 Bore 0.125 Face 0.313 HD 0.313 OAL #2-56 Screw	0.1873 Bore 0.125 Face 0.375 HD 0.344 OAL #4-40 Screw	0.2498 Bore 0.125 Face 0.500 HD 0.375 OAL #6-32 Screw	0.1248 Bore 0.125 Face 0.313 HD 0.313 OAL #2-56 Screw	0.1873 Bore 0.125 Face 0.375 HD 0.344 OAL #4-40 Screw	0.2498 Bore 0.125 Face 0.500 HD 0.375 OAL #6-32 Screw			
SG96P10A-24 ▲	---	---	SG96P10S-24 ▲	---	---	24	0.2500	0.271
SG96P10A-25 ▲	---	---	SG96P10S-25 ▲	---	---	25	0.2604	0.281
SG96P10A-26 ▲	---	---	SG96P10S-26 ▲	---	---	26	0.2708	0.292
SG96P10A-27 ▲	---	---	SG96P10S-27 ▲	---	---	27	0.2813	0.302
SG96P10A-28 ▲	---	---	SG96P10S-28 ▲	---	---	28	0.2917	0.313
SG96P10A-29 ▲	---	---	SG96P10S-29 ▲	---	---	29	0.3021	0.323
SG96P10A-30 ▲	---	---	SG96P10S-30 ▲	---	---	30	0.3125	0.333
SG96P10A-32	SG96P19A-32 ▲	---	SG96P10S-32	SG96P19S-32 ▲	---	32	0.3333	0.354
SG96P10A-34	SG96P19A-34 ▲	---	SG96P10S-34	SG96P19S-34 ▲	---	34	0.3542	0.375
SG96P10A-35	SG96P19A-35 ▲	---	SG96P10S-35	SG96P19S-35 ▲	---	35	0.3646	0.385
SG96P10A-36	SG96P19A-36 ▲	---	SG96P10S-36	SG96P19S-36 ▲	---	36	0.3750	0.396
SG96P10A-38	SG96P19A-38	---	SG96P10S-38	SG96P19S-38	---	38	0.3958	0.417
SG96P10A-39	SG96P19A-39	---	SG96P10S-39	SG96P19S-39	---	39	0.4063	0.427
SG96P10A-40	SG96P19A-40	---	SG96P10S-40	SG96P19S-40	---	40	0.4167	0.438
SG96P10A-42	SG96P19A-42	---	SG96P10S-42	SG96P19S-42	---	42	0.4375	0.458
SG96P10A-44	SG96P19A-44	---	SG96P10S-44	SG96P19S-44	---	44	0.4583	0.479
SG96P10A-45	SG96P19A-45	SG96P26A-45 ▲	SG96P10S-45	SG96P19S-45	SG96P26S-45 ▲	45	0.4688	0.490
SG96P10A-47	SG96P19A-47	SG96P26A-47 ▲	SG96P10S-47	SG96P19S-47	SG96P26S-47 ▲	47	0.4896	0.510
SG96P10A-48	SG96P19A-48	SG96P26A-48 ▲	SG96P10S-48	SG96P19S-48	SG96P26S-48 ▲	48	0.5000	0.521
SG96P10A-50	SG96P19A-50	SG96P26A-50	SG96P10S-50	SG96P19S-50	SG96P26S-50	50	0.5208	0.542
SG96P10A-52	SG96P19A-52	SG96P26A-52	SG96P10S-52	SG96P19S-52	SG96P26S-52	52	0.5417	0.563
SG96P10A-54	SG96P19A-54	SG96P26A-54	SG96P10S-54	SG96P19S-54	SG96P26S-54	54	0.5625	0.583
SG96P10A-55	SG96P19A-55	SG96P26A-55	SG96P10S-55	SG96P19S-55	SG96P26S-55	55	0.5729	0.594
SG96P10A-56	SG96P19A-56	SG96P26A-56	SG96P10S-56	SG96P19S-56	SG96P26S-56	56	0.5833	0.604
SG96P10A-58	SG96P19A-58	SG96P26A-58	SG96P10S-58	SG96P19S-58	SG96P26S-58	58	0.6042	0.625

▲ Teeth cut into hub. Hub diameter may equal O.D.

Continued on next page

**Materials:**

Aluminum - anodized

**On Request:**

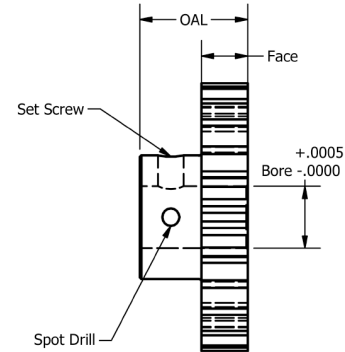
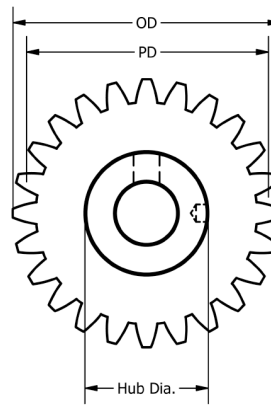
14-1/2° Pressure Angle - additional number of teeth.

Customized or custom versions can be produced with accurate deliveries.

Please call us with your needs.

## 96 Pitch Precision Spur Gears - Set Screw Hub

Aluminum - Anodized, AGMA Quality 10, 20° Pressure Angle



Part Number						No. of Teeth	Pitch Dia. PD	Outside Dia. OD
Aluminum			Stainless Steel					
0.1248 Bore 0.125 Face 0.313 HD 0.313 OAL #2-56 Screw	0.1873 Bore 0.125 Face 0.375 HD 0.344 OAL #4-40 Screw	0.2498 Bore 0.125 Face 0.500 HD 0.375 OAL #6-32 Screw	0.1248 Bore 0.125 Face 0.313 HD 0.313 OAL #2-56 Screw	0.1873 Bore 0.125 Face 0.375 HD 0.344 OAL #4-40 Screw	0.2498 Bore 0.125 Face 0.500 HD 0.375 OAL #6-32 Screw			
SG96P10A-60	SG96P19A-60	SG96P26A-60	SG96P10S-60	SG96P19S-60	SG96P26S-60	60	0.6250	0.646
SG96P10A-62	SG96P19A-62	SG96P26A-62	SG96P10S-62	SG96P19S-62	SG96P26S-62	62	0.6458	0.667
SG96P10A-64	SG96P19A-64	SG96P26A-64	SG96P10S-64	SG96P19S-64	SG96P26S-64	64	0.6667	0.688
SG96P10A-65	SG96P19A-65	SG96P26A-65	SG96P10S-65	SG96P19S-65	SG96P26S-65	65	0.6771	0.698
SG96P10A-66	SG96P19A-66	SG96P26A-66	SG96P10S-66	SG96P19S-66	SG96P26S-66	66	0.6875	0.708
SG96P10A-70	SG96P19A-70	SG96P26A-70	SG96P10S-70	SG96P19S-70	SG96P26S-70	70	0.7292	0.750
SG96P10A-72	SG96P19A-72	SG96P26A-72	SG96P10S-72	SG96P19S-72	SG96P26S-72	72	0.7500	0.771
SG96P10A-75	SG96P19A-75	SG96P26A-75	SG96P10S-75	SG96P19S-75	SG96P26S-75	75	0.7813	0.802
SG96P10A-78	SG96P19A-78	SG96P26A-78	SG96P10S-78	SG96P19S-78	SG96P26S-78	78	0.8125	0.833
SG96P10A-80	SG96P19A-80	SG96P26A-80	SG96P10S-80	SG96P19S-80	SG96P26S-80	80	0.8333	0.854
SG96P10A-84	SG96P19A-84	SG96P26A-84	SG96P10S-84	SG96P19S-84	SG96P26S-84	84	0.8750	0.896
SG96P10A-85	SG96P19A-85	SG96P26A-85	SG96P10S-85	SG96P19S-85	SG96P26S-85	85	0.8854	0.906
SG96P10A-90	SG96P19A-90	SG96P26A-90	SG96P10S-90	SG96P19S-90	SG96P26S-90	90	0.9375	0.958
SG96P10A-95	SG96P19A-95	SG96P26A-95	SG96P10S-95	SG96P19S-95	SG96P26S-95	95	0.9896	1.010
SG96P10A-96	SG96P19A-96	SG96P26A-96	SG96P10S-96	SG96P19S-96	SG96P26S-96	96	1.0000	1.021
SG96P10A-100	SG96P19A-100	SG96P26A-100	SG96P10S-100	SG96P19S-100	SG96P26S-100	100	1.0417	1.063
SG96P10A-105	SG96P19A-105	SG96P26A-105	SG96P10S-105	SG96P19S-105	SG96P26S-105	105	1.0938	1.115
SG96P10A-110	SG96P19A-110	SG96P26A-110	SG96P10S-110	SG96P19S-110	SG96P26S-110	110	1.1458	1.167
SG96P10A-120	SG96P19A-120	SG96P26A-120	SG96P10S-120	SG96P19S-120	SG96P26S-120	120	1.2500	1.271
SG96P10A-126	SG96P19A-126	SG96P26A-126	SG96P10S-126	SG96P19S-126	SG96P26S-126	126	1.3125	1.333
SG96P10A-132	SG96P19A-132	SG96P26A-132	SG96P10S-132	SG96P19S-132	SG96P26S-132	132	1.3750	1.396
SG96P10A-144	SG96P19A-144	SG96P26A-144	SG96P10S-144	SG96P19S-144	SG96P26S-144	144	1.5000	1.521
SG96P10A-156	SG96P19A-156	SG96P26A-156	SG96P10S-156	SG96P19S-156	SG96P26S-156	156	1.6250	1.646
SG96P10A-168	SG96P19A-168	SG96P26A-168	SG96P10S-168	SG96P19S-168	SG96P26S-168	168	1.7500	1.771
SG96P10A-192	SG96P19A-192	SG96P26A-192	SG96P10S-192	SG96P19S-192	SG96P26S-192	192	2.0000	2.021

▲ Teeth cut into hub. Hub diameter may equal O.D.

**Materials:**

Aluminum - anodized

**On Request:**

14-1/2° Pressure Angle - additional number of teeth.

Customized or custom versions can be produced with accurate deliveries. Please call us with your needs.

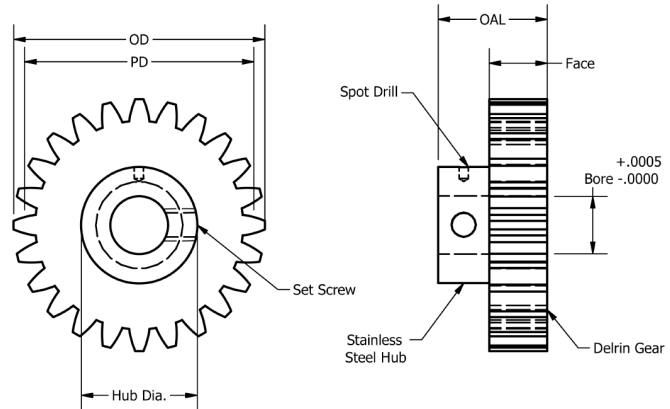
**SGP-XD**  
**96 Pitch**

# GEARS

**SGP-XD**  
**96 Pitch**

## 96 Pitch Precision Spur Gears - Split Hub

Delrin Gear with Stainless Hub, AGMA Quality 10, 20° Pressure Angle



Part Number		No. of Teeth	Pitch Dia. PD	Outside Dia. OD
0.1873 Bore 0.188 Face 0.500 HD 0.438 OAL #6-32 Screw	0.2498 Bore 0.188 Face 0.500 HD 0.438 OAL #6-32 Screw			
SG96P21XD-60	SG96P28XD-60	60	0.6250	0.646
SG96P21XD-64	SG96P28XD-64	64	0.6667	0.688
SG96P21XD-72	SG96P28XD-72	72	0.7500	0.771
SG96P21XD-84	SG96P28XD-84	84	0.8750	0.896
SG96P21XD-96	SG96P28XD-96	96	1.0000	1.021
SG96P21XD-104	SG96P28XD-104	104	1.0833	1.104
SG96P21XD-108	SG96P28XD-108	108	1.1250	1.146
SG96P21XD-110	SG96P28XD-110	110	1.1458	1.167
SG96P21XD-112	SG96P28XD-112	112	1.1667	1.188
SG96P21XD-116	SG96P28XD-116	116	1.2083	1.229
SG96P21XD-120	SG96P28XD-120	120	1.2500	1.271
SG96P21XD-128	SG96P28XD-128	128	1.3333	1.354
SG96P21XD-144	SG96P28XD-144	144	1.5000	1.521
SG96P21XD-156	SG96P28XD-156	156	1.6250	1.646
SG96P21XD-168	SG96P28XD-168	168	1.7500	1.771
SG96P21XD-180	SG96P28XD-180	180	1.8854	1.896
SG96P21XD-192	SG96P28XD-192	192	2.0000	2.021

**Materials:**

Delrin gear with 303 Stainless Steel hub.

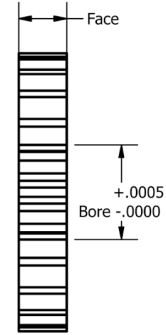
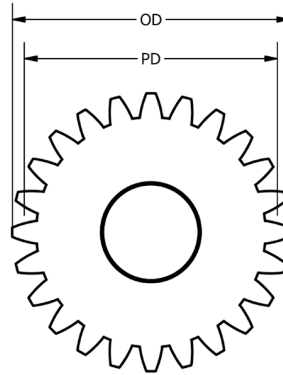
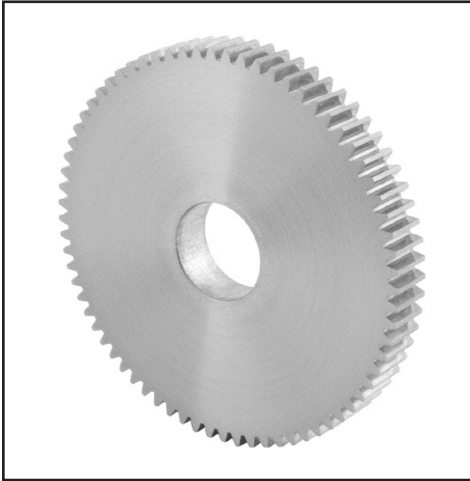
**On Request:**

14-1/2° Pressure Angle - additional number of teeth.

Customized or custom versions can be produced with accurate deliveries. Please call us with your needs.

## 96 Pitch Precision Spur Gears - Flat

Aluminum, Stainless Steel, Delrin, AGMA Quality 10, 20° Pressure Angle



Part Number			No. of Teeth	Pitch Dia. PD	Outside Dia. OD
Aluminum	Stainless Steel	Delrin			
0.3748 Bore 0.125 Face	0.3748 Bore 0.125 Face	0.3748 Bore 0.187 Face			
SG96F3A-70	SG96F3S-70	SG96F5D-70	70	0.7292	0.750
SG96F3A-72	SG96F3S-72	SG96F5D-72	72	0.7500	0.771
SG96F3A-75	SG96F3S-75	SG96F5D-75	75	0.7813	0.802
SG96F3A-78	SG96F3S-78	SG96F5D-78	78	0.8125	0.833
SG96F3A-80	SG96F3S-80	SG96F5D-80	80	0.8333	0.854
SG96F3A-84	SG96F3S-84	SG96F5D-84	84	0.8750	0.896
SG96F3A-85	SG96F3S-85	SG96F5D-85	85	0.8854	0.906
SG96F3A-90	SG96F3S-90	SG96F5D-90	90	0.9375	0.958
SG96F3A-95	SG96F3S-95	SG96F5D-95	95	0.9896	1.010
SG96F3A-96	SG96F3S-96	SG96F5D-96	96	1.0000	1.021
SG96F3A-100	SG96F3S-100	SG96F5D-100	100	1.0417	1.063
SG96F3A-105	SG96F3S-105	SG96F5D-105	105	1.0938	1.115
SG96F3A-110	SG96F3S-110	SG96F5D-110	110	1.1458	1.167
SG96F3A-120	SG96F3S-120	SG96F5D-120	120	1.2500	1.271
SG96F3A-126	SG96F3S-126	SG96F5D-126	126	1.3125	1.333
SG96F3A-132	SG96F3S-132	SG96F5D-132	132	1.3750	1.396
SG96F3A-144	SG96F3S-144	SG96F5D-144	144	1.5000	1.521
SG96F3A-156	SG96F3S-156	SG96F5D-156	156	1.6250	1.646
SG96F3A-168	SG96F3S-168	SG96F5D-168	168	1.7500	1.771
SG96F3A-192	SG96F3S-192	SG96F5D-192	192	2.0000	2.021

**Materials:**

Aluminum - Anodized, 303 Stainless Steel, Delrin

**On Request:**

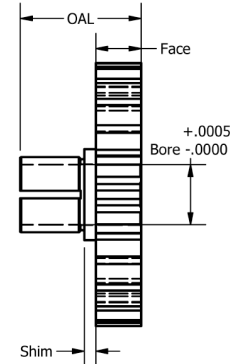
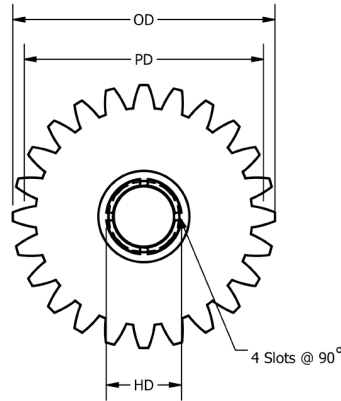
14-1/2° Pressure Angle - additional number of teeth.

Customized or custom versions can be produced with accurate deliveries. Please call us with your needs.



## 96 Pitch Precision Spur Gears - Split Hub

Aluminum, Stainless Steel, AGMA Quality 10, 20° Pressure Angle



Part Number		No. of Teeth	Pitch Dia. PD	Outside Dia. OD
Aluminum	Stainless Steel			
0.1248 Bore 0.125 Face 0.187 HD 0.406 OAL SH4-2624.188H Clamp	0.1248 Bore 0.125 Face 0.187 HD 0.406 OAL SH4-2624.188H Clamp			
SG96C7A-28	SG96C7S-28	28	0.2917	0.313
SG96C7A-30	SG96C7S-30	30	0.3125	0.333
SG96C7A-32	SG96C7S-32	32	0.3333	0.354
SG96C7A-34	SG96C7S-34	34	0.3542	0.375
SG96C7A-35	SG96C7S-35	35	0.3646	0.385
SG96C7A-36	SG96C7S-36	36	0.3750	0.396
SG96C7A-38	SG96C7S-38	38	0.3958	0.417
SG96C7A-39	SG96C7S-39	39	0.4063	0.427
SG96C7A-40	SG96C7S-40	40	0.4167	0.438
SG96C7A-42	SG96C7S-42	42	0.4375	0.458
SG96C7A-44	SG96C7S-44	44	0.4583	0.479
SG96C7A-45	SG96C7S-45	45	0.4688	0.490
SG96C7A-47	SG96C7S-47	47	0.4896	0.510
SG96C7A-48	SG96C7S-48	48	0.5000	0.521
SG96C7A-50	SG96C7S-50	50	0.5208	0.542
SG96C7A-52	SG96C7S-52	52	0.5417	0.563
SG96C7A-54	SG96C7S-54	54	0.5625	0.583
SG96C7A-55	SG96C7S-55	55	0.5729	0.594
SG96C7A-56	SG96C7S-56	56	0.5833	0.604
SG96C7A-58	SG96C7S-58	58	0.6042	0.625

Continued on next page

**Materials:**

Aluminum - Anodized, 303 Stainless Steel

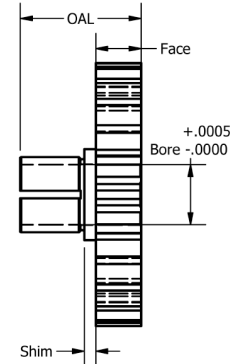
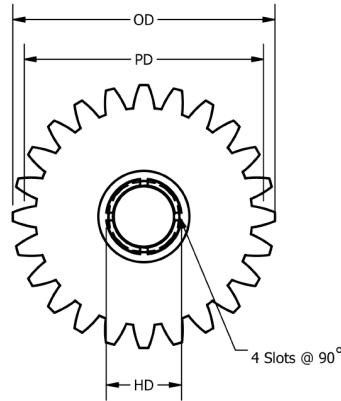
**On Request:**

14-1/2° Pressure Angle - additional number of teeth.

Customized or custom versions can be produced with accurate deliveries.  
Please call us with your needs.

## 96 Pitch Precision Spur Gears - Split Hub

Aluminum, Stainless Steel, AGMA Quality 10, 20° Pressure Angle



Part Number		No. of Teeth	Pitch Dia. PD	Outside Dia. OD
Aluminum	Stainless Steel			
0.1248 Bore 0.125 Face 0.187 HD 0.406 OAL SH4-2624.188H Clamp	0.1248 Bore 0.125 Face 0.187 HD 0.406 OAL SH4-2624.188H Clamp			
SG96C7A-60	SG96C7S-60	60	0.6250	0.646
SG96C7A-62	SG96C7S-62	62	0.6458	0.667
SG96C7A-64	SG96C7S-64	64	0.6667	0.688
SG96C7A-65	SG96C7S-65	65	0.6771	0.698
SG96C7A-66	SG96C7S-66	66	0.6875	0.708
SG96C7A-70	SG96C7S-70	70	0.7292	0.750
SG96C7A-72	SG96C7S-72	72	0.7500	0.771
SG96C7A-75	SG96C7S-75	75	0.7813	0.802
SG96C7A-78	SG96C7S-78	78	0.8125	0.833
SG96C7A-80	SG96C7S-80	80	0.8333	0.854
SG96C7A-84	SG96C7S-84	84	0.8750	0.896
SG96C7A-85	SG96C7S-85	85	0.8854	0.906
SG96C7A-90	SG96C7S-90	90	0.9375	0.958
SG96C7A-95	SG96C7S-95	95	0.9896	1.010
SG96C7A-96	SG96C7S-96	96	1.0000	1.021
SG96C7A-100	SG96C7S-100	100	1.0417	1.063
SG96C7A-105	SG96C7S-105	105	1.0938	1.115
SG96C7A-110	SG96C7S-110	110	1.1458	1.167
SG96C7A-120	SG96C7S-120	120	1.2500	1.271
SG96C7A-126	SG96C7S-126	126	1.3125	1.333
SG96C7A-132	SG96C7S-132	132	1.3750	1.396
SG96C7A-144	SG96C7S-144	144	1.5000	1.521
SG96C7A-156	SG96C7S-156	156	1.6250	1.646

**Materials:**

Aluminum - Anodized, 303 Stainless Steel

**On Request:**

14-1/2° Pressure Angle - additional number of teeth.

Customized or custom versions can be produced with accurate deliveries.

Please call us with your needs.