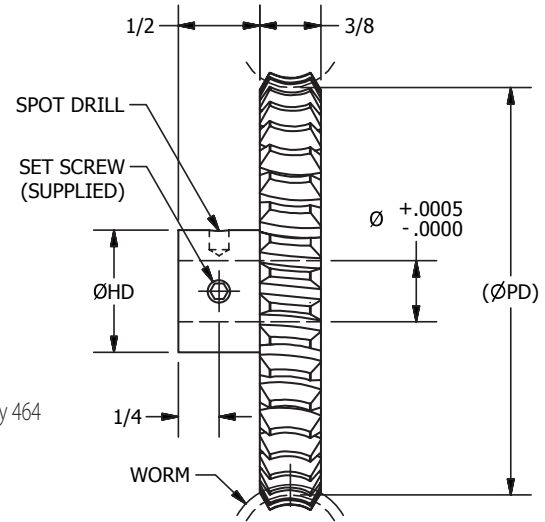


WG16

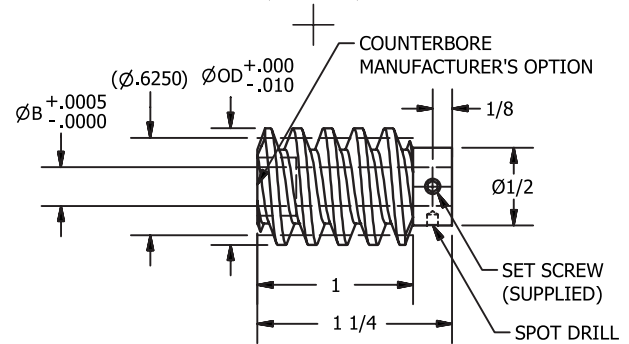
# GEARS

## Worms & Worm Gears 16 Diametral Pitch

WG16



**Materials:**  
Worm: 303 Stainless Steel  
Worm Gear: Bronze QQ-B-637 Alloy 464  
Agma Quality: 8



Worm Part Number	# of Starts	Lead	Helix Angle	Pressure Angle	Bore (B)
WG16S-4S	1	0.1963	5° 43'	14.5°	0.2498
WG16S-5S	1	0.1963	5° 43'	14.5°	0.3123
WG16S-4D	2	0.3927	11° 19'	14.5°	0.2498
WG16S-5D	2	0.3927	11° 19'	14.5°	0.3123
WG16S-4F	4	0.7854	21° 48'	20°	0.2498
WG16S-5F	4	0.7854	21° 48'	20°	0.3123

# of Teeth	Pitch Dia. (PD)	Worm Gear Part Number					
20	1.258	WG16P35B-S20	WG16P37B-S20	WG16P35B-D20	WG16P37B-D20	WG16P35B-F20	WG16P37B-F20
30	1.875	WG16P35B-S30	WG16P37B-S30	WG16P35B-D30	WG16P37B-D30	WG16P35B-F30	WG16P37B-F30
40	2.500	WG16P35B-S40	WG16P37B-S40	WG16P35B-D40	WG16P37B-D40	WG16P35B-F40	WG16P37B-F40
50	3.125	WG16P35B-S50	WG16P37B-S50	WG16P35B-D50	WG16P37B-D50	WG16P35B-F50	WG16P37B-F50
60	3.750	WG16P35B-S60	WG16P37B-S60	WG16P35B-D60	WG16P37B-D60	WG16P35B-F60	WG16P37B-F60
80	5.000	WG16P35B-S80	WG16P37B-S80	WG16P35B-D80	WG16P37B-D80	WG16P35B-F80	WG16P37B-F80
100	6.250	WG16P35B-S100	WG16P37B-S100	WG16P35B-D100	WG16P37B-D100	WG16P35B-F100	WG16P37B-F100
# of Starts		1	1	2	2	4	4
Circular Pitch		0.1963	0.1963	0.3927	0.3927	0.7854	0.7854
Helix Angle		5° 43'	5° 43'	11° 19'	11° 19'	21° 48'	21° 48'
Pressure Angle		14.5°	14.5°	14.5°	14.5°	20°	20°
Bore (B)		0.3748	0.4998	0.3748	0.4998	0.3748	0.4998
Hub Diameter (HD)		3/4	1	3/4	1	3/4	1

WG24

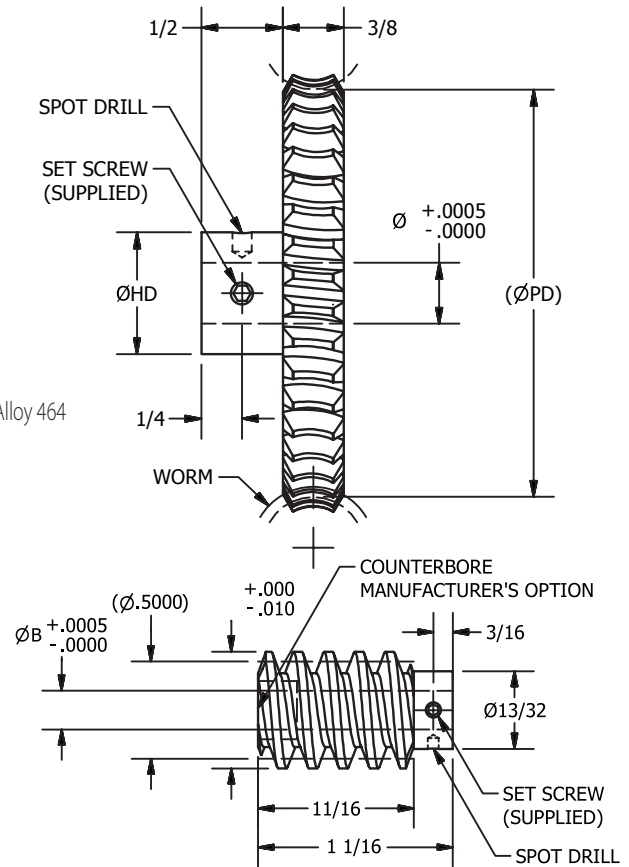
# GEARS

## Worms & Worm Gears 24 Diametral Pitch

WG24



**Materials:**  
Worm: 303 Stainless Steel  
Worm Gear: Bronze QQ-B-637 Alloy 464  
  
Agma Quality: 10



Worm Part Number	# of Starts	Lead	Helix Angle	Pressure Angle	Bore (B)
WG24S-4S	1	0.1309	4° 46'	14.5°	0.2498
WG24S-4D	2	0.2518	9° 28'	20°	0.2498
WG24S-4F	4	0.5236	18° 26'	25°	0.2498

# of Teeth	Pitch Dia. (PD)	Worm Gear Part Number					
20	0.833	WG24P35B-S20	WG24P37B-S20	WG24P35B-D20	WG24P37B-D20	WG24P35B-F20	WG24P37B-F20
30	1.250	WG24P35B-S30	WG24P37B-S30	WG24P35B-D30	WG24P37B-D30	WG24P35B-F30	WG24P37B-F30
40	1.667	WG24P35B-S40	WG24P37B-S40	WG24P35B-D40	WG24P37B-D40	WG24P35B-F40	WG24P37B-F40
50	2.083	WG24P35B-S50	WG24P37B-S50	WG24P35B-D50	WG24P37B-D50	WG24P35B-F50	WG24P37B-F50
60	2.500	WG24P35B-S60	WG24P37B-S60	WG24P35B-D60	WG24P37B-D60	WG24P35B-F60	WG24P37B-F60
72	3.000	WG24P35B-S72	WG24P37B-S72	WG24P35B-D72	WG24P37B-D72	WG24P35B-F72	WG24P37B-F72
80	3.333	WG24P35B-S80	WG24P37B-S80	WG24P35B-D80	WG24P37B-D80	WG24P35B-F80	WG24P37B-F80
96	4.000	WG24P35B-S96	WG24P37B-S96	WG24P35B-D96	WG24P37B-D96	WG24P35B-F96	WG24P37B-F96
100	4.167	WG24P35B-S100	WG24P37B-S100	WG24P35B-D100	WG24P37B-D100	WG24P35B-F100	WG24P37B-F100
# of Starts		1	1	2	2	4	4
Circular Pitch		0.1309	0.1309	0.2518	0.2518	0.5236	0.5236
Helix Angle		4° 46'	4° 46'	9° 28'	9° 28'	18° 26'	18° 26'
Pressure Angle		14.5°	14.5°	20°	20°	25°	25°
Bore (B)		0.3748	0.4998	0.3748	0.4998	0.3748	0.4998
Hub Diameter (HD)		3/4	1	3/4	1	3/4	1

**WG32**

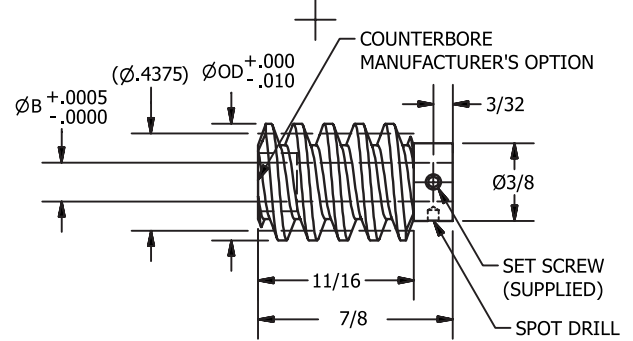
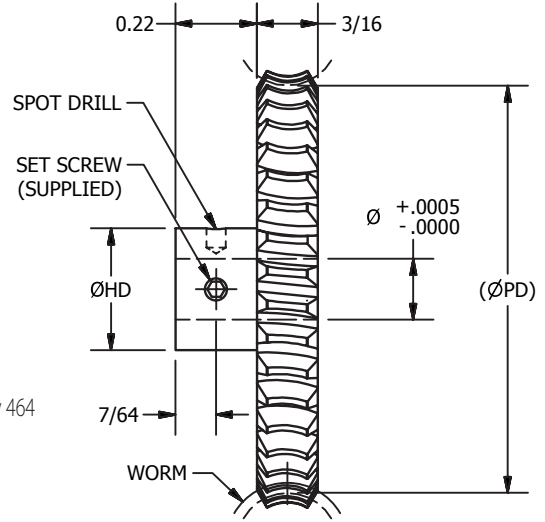
# GEARS

## Worms & Worm Gears 32 Diametral Pitch

**WG32**



**Materials:**  
Worm: 303 Stainless Steel  
Worm Gear: Bronze QQ-B-637 Alloy 464  
  
Agma Quality: 10



Worm Part Number	# of Starts	Lead	Helix Angle	Pressure Angle	Bore (B)
WG32S-3S	1	0.1963	4° 5'	14.5°	0.1873
WG32S-3D	2	0.3927	8° 8'	20°	0.1873
WG32S-3F	4	0.7854	15° 57'	25°	0.1873

# of Teeth	Pitch Dia. (PD)	Worm Gear Part Number					
20	0.625	WG32P29B-S20	WG32P30B-S20	WG32P29B-D20	WG32P30B-D20	WG32P29B-F20	WG32P30B-F20
30	0.938	WG32P29B-S30	WG32P30B-S30	WG32P29B-D30	WG32P30B-D30	WG32P29B-F30	WG32P30B-F30
40	1.250	WG32P29B-S40	WG32P30B-S40	WG32P29B-D40	WG32P30B-D40	WG32P29B-F40	WG32P30B-F40
50	1.562	WG32P29B-S50	WG32P30B-S50	WG32P29B-D50	WG32P30B-D50	WG32P29B-F50	WG32P30B-F50
60	1.875	WG32P29B-S60	WG32P30B-S60	WG32P29B-D60	WG32P30B-D60	WG32P29B-F60	WG32P30B-F60
80	2.500	WG32P29B-S80	WG32P30B-S80	WG32P29B-D80	WG32P30B-D80	WG32P29B-F80	WG32P30B-F80
96	3.000	WG32P29B-S96	WG32P30B-S96	WG32P29B-D96	WG32P30B-D96	WG32P29B-F96	WG32P30B-F96
100	3.125	WG32P29B-S100	WG32P30B-S100	WG32P29B-D100	WG32P30B-D100	WG32P29B-F100	WG32P30B-F100
120	3.750	WG32P29B-S120	WG32P30B-S120	WG32P29B-D120	WG32P30B-D120	WG32P29B-F120	WG32P30B-F120
180	5.625	WG32P29B-S180	WG32P30B-S180	WG32P29B-D180	WG32P30B-D180	WG32P29B-F180	WG32P30B-F180
# of Starts		1	1	2	2	4	4
Circular Pitch		0.1963	0.1963	0.3927	0.3927	0.7854	0.7854
Helix Angle		4° 5'	4° 5'	8° 8'	8° 8'	15° 57'	15° 57'
Pressure Angle		14.5°	14.5°	20°	20°	25°	25°
Bore (B)		0.2498	0.3123	0.2498	0.3123	0.2498	0.3123
Hub Diameter (HD)		1/2	1/2	1/2	1/2	1/2	1/2

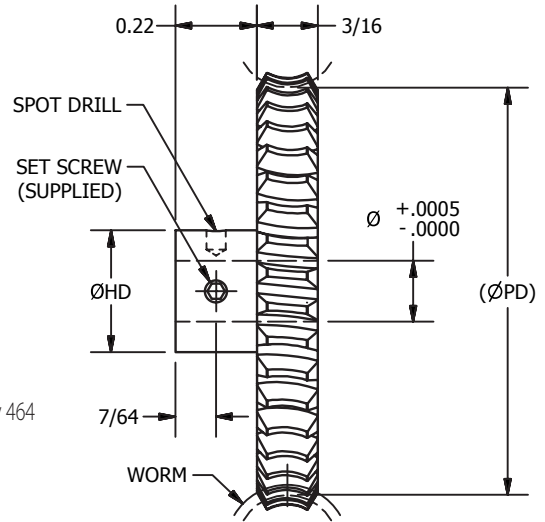
**WG48**

# GEARS

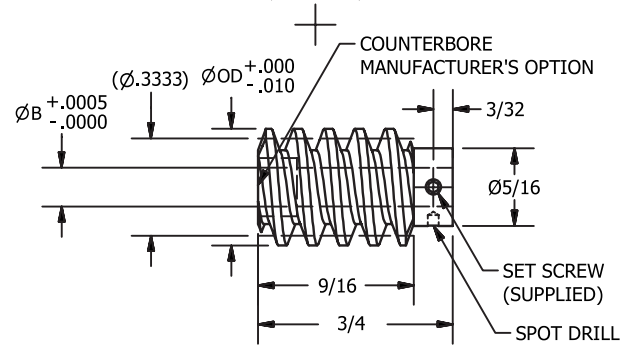
## Worms & Worm Gears

48 Diametral Pitch

**WG48**



**Materials:**  
 Worm: 303 Stainless Steel  
 Worm Gear: Bronze QQ-B-637 Alloy 464  
 Agma Quality: 10

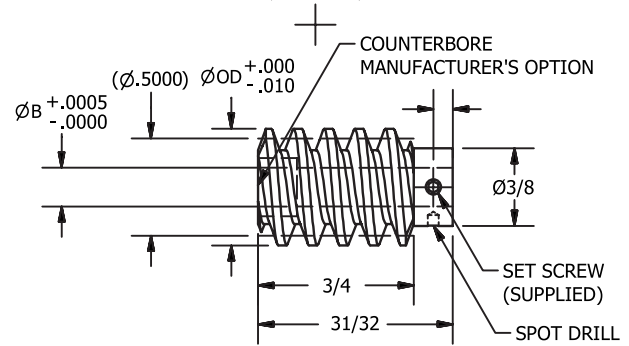
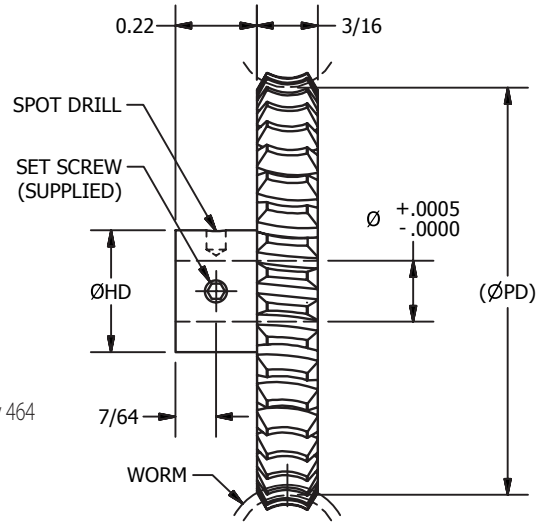


Worm Part Number	# of Starts	Lead	Helix Angle	Pressure Angle	Bore (B)
WG48S-2S	1	0.0654	3° 35'	14.5°	0.1248
WG48S-3S	1	0.0654	3° 35'	14.5°	0.1873
WG48S-2D	2	0.1309	7° 7'	20°	0.1248
WG48S-3D	2	0.1309	7° 7'	20°	0.1873
WG48S-2F	4	0.2618	14° 2'	25°	0.1248
WG48S-3F	4	0.2618	14° 2'	25°	0.1873

# of Teeth	Pitch Dia. (PD)	Worm Gear Part Number					
30	0.625	WG48P21B-S30	WG48P29B-S30	WG48P21B-D30	WG48P29B-D30	WG48P21B-F30	WG48P29B-F30
40	0.833	WG48P21B-S40	WG48P29B-S40	WG48P21B-D40	WG48P29B-D40	WG48P21B-F40	WG48P29B-F40
50	1.042	WG48P21B-S50	WG48P29B-S50	WG48P21B-D50	WG48P29B-D50	WG48P21B-F50	WG48P29B-F50
60	1.250	WG48P21B-S60	WG48P29B-S60	WG48P21B-D60	WG48P29B-D60	WG48P21B-F60	WG48P29B-F60
70	1.458	WG48P21B-S70	WG48P29B-S70	WG48P21B-D70	WG48P29B-D70	WG48P21B-F70	WG48P29B-F70
80	1.667	WG48P21B-S80	WG48P29B-S80	WG48P21B-D80	WG48P29B-D80	WG48P21B-F80	WG48P29B-F80
90	1.875	WG48P21B-S90	WG48P29B-S90	WG48P21B-D90	WG48P29B-D90	WG48P21B-F90	WG48P29B-F90
100	2.083	WG48P21B-S100	WG48P29B-S100	WG48P21B-D100	WG48P29B-D100	WG48P21B-F100	WG48P29B-F100
120	2.500	WG48P21B-S120	WG48P29B-S120	WG48P21B-D120	WG48P29B-D120	WG48P21B-F120	WG48P29B-F120
180	3.750	WG48P21B-S180	WG48P29B-S180	WG48P21B-D180	WG48P29B-D180	WG48P21B-F180	WG48P29B-F180
# of Starts		1	1	2	2	4	4
Circular Pitch		0.0654	0.0654	0.1309	0.1309	0.2618	0.2618
Helix Angle		3° 35'	3° 35'	7° 7'	7° 7'	14° 2'	14° 2'
Pressure Angle		14.5°	14.5°	20°	20°	25°	25°
Bore (B)		0.1873	0.2498	0.1873	0.2498	0.1873	0.2498
Hub Diameter (HD)		3/8	1/2	3/8	1/2	3/8	1/2



**Materials:**  
 Worm: 303 Stainless Steel  
 Worm Gear: Bronze QQ-B-637 Alloy 464  
 Agma Quality: 10



Worm Part Number	# of Starts	Lead	Helix Angle	Pressure Angle	Bore (B)
WG64S-2S	1	0.0491	1° 47'	14.5°	0.1248
WG64S-3S					0.1873
WG64S-4S					0.2498
WG64S-2D	2	0.0982	3° 35'	14.5°	0.1248
WG64S-3D					0.1873
WG64S-4D					0.2498
WG64S-2F	4	0.1964	7° 11'	14.5°	0.1248
WG64S-3F					0.1873
WG64S-4F					0.2498

# of Teeth	Pitch Dia. (PD)	Worm Gear Part Number					
40	0.625	WG64P21B-S40	WG64P29B-S40	WG64P21B-D40	WG64P29B-D40	WG64P21B-F40	WG64P29B-F40
50	0.781	WG64P21B-S50	WG64P29B-S50	WG64P21B-D50	WG64P29B-D50	WG64P21B-F50	WG64P29B-F50
60	0.937	WG64P21B-S60	WG64P29B-S60	WG64P21B-D60	WG64P29B-D60	WG64P21B-F60	WG64P29B-F60
70	1.093	WG64P21B-S70	WG64P29B-S70	WG64P21B-D70	WG64P29B-D70	WG64P21B-F70	WG64P29B-F70
80	1.250	WG64P21B-S80	WG64P29B-S80	WG64P21B-D80	WG64P29B-D80	WG64P21B-F80	WG64P29B-F80
90	1.406	WG64P21B-S90	WG64P29B-S90	WG64P21B-D90	WG64P29B-D90	WG64P21B-F90	WG64P29B-F90
100	1.562	WG64P21B-S100	WG64P29B-S100	WG64P21B-D100	WG64P29B-D100	WG64P21B-F100	WG64P29B-F100
110	1.719	WG64P21B-S110	WG64P29B-S110	WG64P21B-D110	WG64P29B-D110	WG64P21B-F110	WG64P29B-F110
120	1.875	WG64P21B-S120	WG64P29B-S120	WG64P21B-D120	WG64P29B-D120	WG64P21B-F120	WG64P29B-F120
180	2.813	WG64P21B-S180	WG64P29B-S180	WG64P21B-D180	WG64P29B-D180	WG64P21B-F180	WG64P29B-F180
360	5.625	WG64P21B-S360	WG64P29B-S360	WG64P21B-D360	WG64P29B-D360	WG64P21B-F360	WG64P29B-F360
# of Starts		1	1	2	2	4	4
Circular Pitch		0.0491	0.0491	0.0982	0.0982	0.1964	0.1964
Helix Angle		1° 47'	1° 47'	3° 35'	3° 35'	7° 11'	7° 11'
Pressure Angle		14.5°	14.5°	14.5°	14.5°	14.5°	14.5°
Bore (B)		0.1873	0.2498	0.1873	0.2498	0.1873	0.2498
Hub Diameter (HD)		3/8	1/2	3/8	1/2	3/8	1/2