

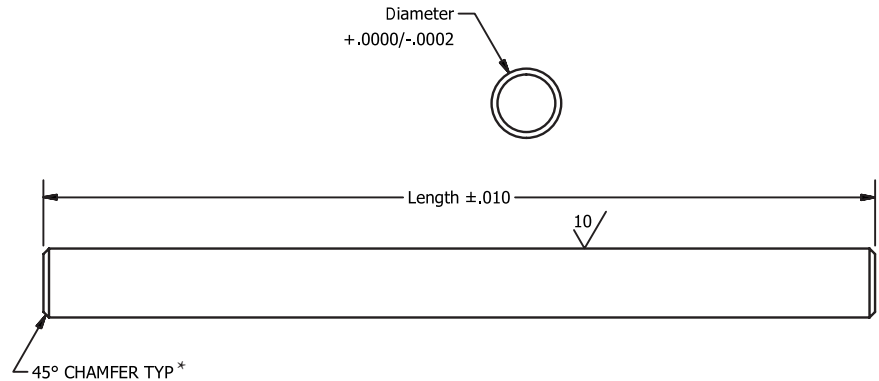
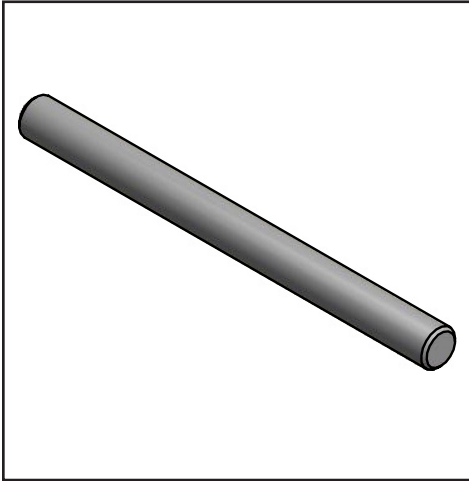
GS1247

SHAFTS

GS1247

Precision Ground 303 Stainless Shafting

400 Incremental Lengths from 1" to 36" in 6 diameters
Bearing Toleranced



Straightness .0003in/in up to 1/4" Dia.,

Part Number	Actual Diameter	Length	Chamfer
GS1247-10	0.1247	1.000	.010 x 45°
GS1247-11	0.1247	1.125	.010 x 45°
GS1247-12	0.1247	1.250	.010 x 45°
GS1247-13	0.1247	1.375	.010 x 45°
GS1247-15	0.1247	1.500	.010 x 45°
GS1247-16	0.1247	1.625	.010 x 45°
GS1247-17	0.1247	1.750	.010 x 45°
GS1247-18	0.1247	1.875	.010 x 45°
GS1247-20	0.1247	2.000	.010 x 45°
GS1247-21	0.1247	2.125	.010 x 45°
GS1247-22	0.1247	2.250	.010 x 45°
GS1247-23	0.1247	2.375	.010 x 45°
GS1247-25	0.1247	2.500	.010 x 45°
GS1247-26	0.1247	2.625	.010 x 45°
GS1247-27	0.1247	2.750	.010 x 45°
GS1247-28	0.1247	2.875	.010 x 45°
GS1247-30	0.1247	3.000	.010 x 45°
GS1247-31	0.1247	3.125	.010 x 45°
GS1247-32	0.1247	3.250	.010 x 45°
GS1247-33	0.1247	3.375	.010 x 45°
GS1247-35	0.1247	3.500	.010 x 45°
GS1247-36	0.1247	3.625	.010 x 45°
GS1247-37	0.1247	3.750	.010 x 45°

Part Number	Actual Diameter	Length	Chamfer
GS1247-38	0.1247	3.875	.010 x 45°
GS1247-40	0.1247	4.000	.010 x 45°
GS1247-41	0.1247	4.125	.010 x 45°
GS1247-42	0.1247	4.250	.010 x 45°
GS1247-43	0.1247	4.375	.010 x 45°
GS1247-45	0.1247	4.500	.010 x 45°
GS1247-46	0.1247	4.625	.010 x 45°
GS1247-47	0.1247	4.750	.010 x 45°
GS1247-48	0.1247	4.875	.010 x 45°
GS1247-50	0.1247	5.000	.010 x 45°
GS1247-51	0.1247	5.125	.010 x 45°
GS1247-52	0.1247	5.250	.010 x 45°
GS1247-53	0.1247	5.375	.010 x 45°
GS1247-55	0.1247	5.500	.010 x 45°
GS1247-56	0.1247	5.625	.010 x 45°
GS1247-57	0.1247	5.750	.010 x 45°
GS1247-58	0.1247	5.875	.010 x 45°
GS1247-60	0.1247	6.000	.010 x 45°
GS1247-61	0.1247	6.125	.010 x 45°
GS1247-62	0.1247	6.250	.010 x 45°
GS1247-63	0.1247	6.375	.010 x 45°
GS1247-65	0.1247	6.500	.010 x 45°
GS1247-66	0.1247	6.625	.010 x 45°

Part Number	Actual Diameter	Length	Chamfer
GS1247-67	0.1247	6.750	.010 x 45°
GS1247-70	0.1247	7.000	.010 x 45°
GS1247-72	0.1247	7.250	.010 x 45°
GS1247-75	0.1247	7.500	.010 x 45°
GS1247-77	0.1247	7.750	.010 x 45°
GS1247-80	0.1247	8.000	.010 x 45°
GS1247-82	0.1247	8.250	.010 x 45°
GS1247-83	0.1247	8.375	.010 x 45°
GS1247-85	0.1247	8.500	.010 x 45°
GS1247-90	0.1247	9.000	.010 x 45°
GS1247-95	0.1247	9.500	.010 x 45°
GS1247-100	0.1247	10.000	.010 x 45°
GS1247-110	0.1247	11.000	.010 x 45°
GS1247-120	0.1247	12.000	.010 x 45°
GS1247-130	0.1247	13.000	.010 x 45°
GS1247-140	0.1247	14.000	.010 x 45°
GS1247-150	0.1247	15.000	.010 x 45°
GS1247-160	0.1247	16.000	.010 x 45°
GS1247-180	0.1247	18.000	.010 x 45°
GS1247-200	0.1247	20.000	.010 x 45°
GS1247-220	0.1247	22.000	.010 x 45°
GS1247-240	0.1247	24.000	.010 x 45°

+0.0000

Diameter tolerance -0.0002

Precision ground 303 Stainless Steel

400 Lengths from 1" to 36" in 6 diameters

Toleranced for ball bearings

Perfect for use with: ball bearings, pulleys, couplings, gears, any rotating components

Straightness within .0003"/Inch for 1/8", 3/16", 1/4" diameter

Straightness within .0004"/Inch for all other diameters

From stock delivery

Other materials available from stock: 303, 316, 12L14

Special sizes and other materials are available, please ask

Customizing: grooves, journals, flats, drill holes, chamfers, special diameters, special lengths

ondrives.us

☎ 1-888-260-7466

📄 516-771-6444

💻 sales@ondrivesus.com

🌐 www.ondrivesus.com

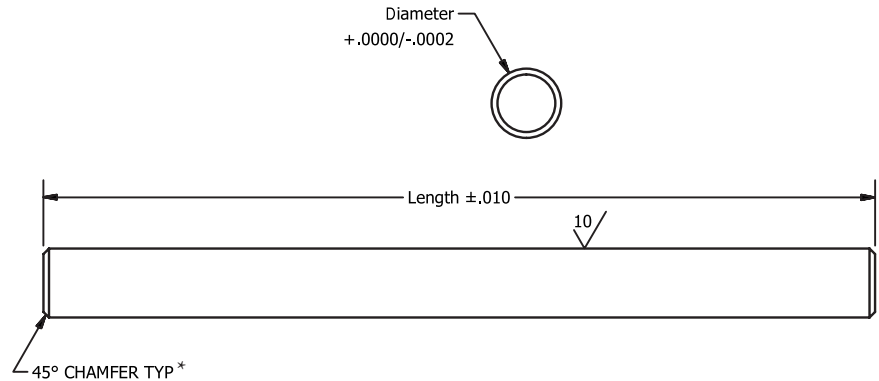
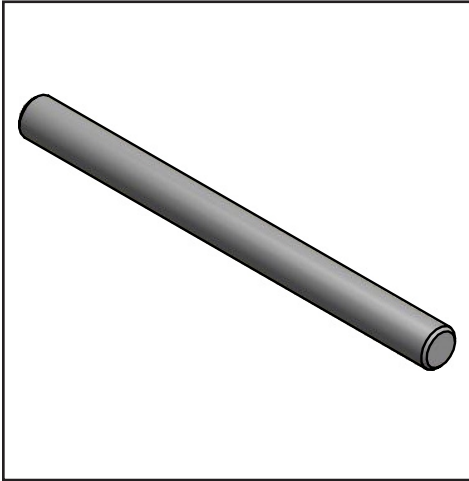
GS1872

SHAFTS

GS1872

Precision Ground 303 Stainless Shafting

400 Incremental Lengths from 1" to 36" in 6 diameters
Bearing Toleranced Incremental Lengths



Straightness .0003in/in up to 1/4" Dia.,

Part Number	Actual Diameter	Length	Chamfer
GS1872-10	0.1872	1.000	.020 x 45°
GS1872-11	0.1872	1.125	.020 x 45°
GS1872-12	0.1872	1.250	.020 x 45°
GS1872-13	0.1872	1.375	.020 x 45°
GS1872-15	0.1872	1.500	.020 x 45°
GS1872-16	0.1872	1.625	.020 x 45°
GS1872-17	0.1872	1.750	.020 x 45°
GS1872-18	0.1872	1.875	.020 x 45°
GS1872-20	0.1872	2.000	.020 x 45°
GS1872-21	0.1872	2.125	.020 x 45°
GS1872-22	0.1872	2.250	.020 x 45°
GS1872-23	0.1872	2.375	.020 x 45°
GS1872-25	0.1872	2.500	.020 x 45°
GS1872-26	0.1872	2.625	.020 x 45°
GS1872-27	0.1872	2.750	.020 x 45°
GS1872-28	0.1872	2.875	.020 x 45°
GS1872-30	0.1872	3.000	.020 x 45°
GS1872-31	0.1872	3.125	.020 x 45°
GS1872-32	0.1872	3.250	.020 x 45°
GS1872-33	0.1872	3.375	.020 x 45°
GS1872-35	0.1872	3.500	.020 x 45°
GS1872-36	0.1872	3.625	.020 x 45°
GS1872-37	0.1872	3.750	.020 x 45°

Part Number	Actual Diameter	Length	Chamfer
GS1872-38	0.1872	3.875	.020 x 45°
GS1872-40	0.1872	4.000	.020 x 45°
GS1872-41	0.1872	4.125	.020 x 45°
GS1872-42	0.1872	4.250	.020 x 45°
GS1872-43	0.1872	4.375	.020 x 45°
GS1872-45	0.1872	4.500	.020 x 45°
GS1872-46	0.1872	4.625	.020 x 45°
GS1872-47	0.1872	4.750	.020 x 45°
GS1872-48	0.1872	4.875	.020 x 45°
GS1872-50	0.1872	5.000	.020 x 45°
GS1872-51	0.1872	5.125	.020 x 45°
GS1872-52	0.1872	5.250	.020 x 45°
GS1872-53	0.1872	5.375	.020 x 45°
GS1872-55	0.1872	5.500	.020 x 45°
GS1872-56	0.1872	5.625	.020 x 45°
GS1872-57	0.1872	5.750	.020 x 45°
GS1872-58	0.1872	5.875	.020 x 45°
GS1872-60	0.1872	6.000	.020 x 45°
GS1872-61	0.1872	6.125	.020 x 45°
GS1872-62	0.1872	6.250	.020 x 45°
GS1872-63	0.1872	6.375	.020 x 45°
GS1872-65	0.1872	6.500	.020 x 45°
GS1872-66	0.1872	6.625	.020 x 45°

Part Number	Actual Diameter	Length	Chamfer
GS1872-67	0.1872	6.750	.020 x 45°
GS1872-70	0.1872	7.000	.020 x 45°
GS1872-72	0.1872	7.250	.020 x 45°
GS1872-75	0.1872	7.500	.020 x 45°
GS1872-77	0.1872	7.750	.020 x 45°
GS1872-80	0.1872	8.000	.020 x 45°
GS1872-82	0.1872	8.250	.020 x 45°
GS1872-85	0.1872	8.500	.020 x 45°
GS1872-90	0.1872	9.000	.020 x 45°
GS1872-95	0.1872	9.500	.020 x 45°
GS1872-100	0.1872	10.000	.020 x 45°
GS1872-110	0.1872	11.000	.020 x 45°
GS1872-120	0.1872	12.000	.020 x 45°
GS1872-130	0.1872	13.000	.020 x 45°
GS1872-140	0.1872	14.000	.020 x 45°
GS1872-150	0.1872	15.000	.020 x 45°
GS1872-160	0.1872	16.000	.020 x 45°
GS1872-180	0.1872	18.000	.020 x 45°
GS1872-200	0.1872	20.000	.020 x 45°
GS1872-220	0.1872	22.000	.020 x 45°
GS1872-240	0.1872	24.000	.020 x 45°

+0.0000

Diameter tolerance -0.0002

Precision ground 303 Stainless Steel
400 Lengths from 1" to 36" in 6 diameters
Toleranced for ball bearings

Perfect for use with: ball bearings, pulleys, couplings,
gears, any rotating components

Straightness within .0003"/Inch for 1/8", 3/16", 1/4" diameter

Straightness within .0004"/Inch for all other diameters

From stock delivery

Other materials available from stock: 303, 316, 12L14

Special sizes and other materials are available, please ask

Customizing: grooves, journals, flats, drill holes,
chamfers, special diameters, special lengths

ondrives.us

☎ 1-888-260-7466

📄 516-771-6444

💻 sales@ondrivesus.com

🌐 www.ondrivesus.com

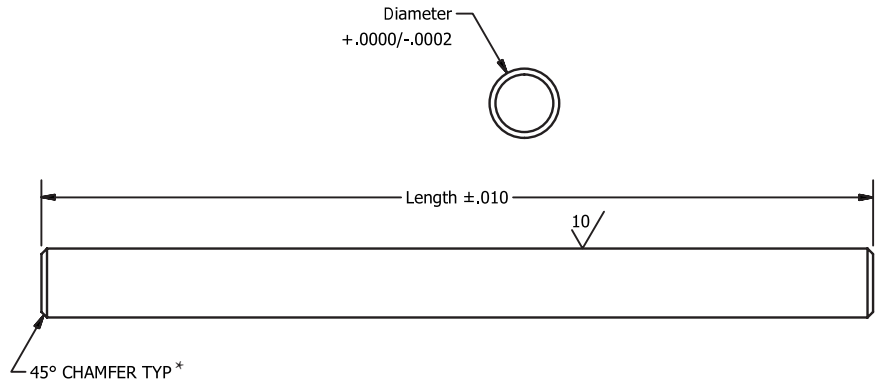
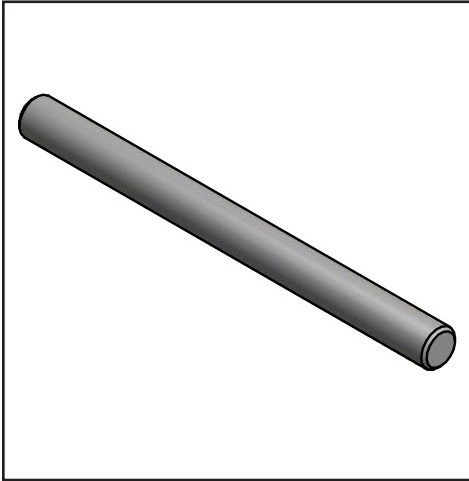
GS2497

SHAFTS

GS2497

Precision Ground 303 Stainless Shafting

400 Incremental Lengths from 1" to 36" in 6 diameters
Bearing Toleranced Incremental Lengths



Straightness .0003in/in up to 1/4" Dia.,

+0.0000
Diameter tolerance -0.0002

Part Number	Actual Diameter	Length	Chamfer
GS2497-10	0.2497	1.000	.030 x 45°
GS2497-11	0.2497	1.125	.030 x 45°
GS2497-12	0.2497	1.250	.030 x 45°
GS2497-13	0.2497	1.375	.030 x 45°
GS2497-15	0.2497	1.500	.030 x 45°
GS2497-16	0.2497	1.625	.030 x 45°
GS2497-17	0.2497	1.750	.030 x 45°
GS2497-18	0.2497	1.875	.030 x 45°
GS2497-20	0.2497	2.000	.030 x 45°
GS2497-21	0.2497	2.125	.030 x 45°
GS2497-22	0.2497	2.250	.030 x 45°
GS2497-23	0.2497	2.375	.030 x 45°
GS2497-25	0.2497	2.500	.030 x 45°
GS2497-26	0.2497	2.625	.030 x 45°
GS2497-27	0.2497	2.750	.030 x 45°
GS2497-28	0.2497	2.875	.030 x 45°
GS2497-30	0.2497	3.000	.030 x 45°
GS2497-31	0.2497	3.125	.030 x 45°
GS2497-32	0.2497	3.250	.030 x 45°
GS2497-33	0.2497	3.375	.030 x 45°
GS2497-35	0.2497	3.500	.030 x 45°
GS2497-36	0.2497	3.625	.030 x 45°
GS2497-37	0.2497	3.750	.030 x 45°

Part Number	Actual Diameter	Length	Chamfer
GS2497-38	0.2497	3.875	.030 x 45°
GS2497-40	0.2497	4.000	.030 x 45°
GS2497-41	0.2497	4.125	.030 x 45°
GS2497-42	0.2497	4.250	.030 x 45°
GS2497-43	0.2497	4.375	.030 x 45°
GS2497-45	0.2497	4.500	.030 x 45°
GS2497-46	0.2497	4.625	.030 x 45°
GS2497-47	0.2497	4.750	.030 x 45°
GS2497-48	0.2497	4.875	.030 x 45°
GS2497-50	0.2497	5.000	.030 x 45°
GS2497-51	0.2497	5.125	.030 x 45°
GS2497-52	0.2497	5.250	.030 x 45°
GS2497-53	0.2497	5.375	.030 x 45°
GS2497-55	0.2497	5.500	.030 x 45°
GS2497-56	0.2497	5.625	.030 x 45°
GS2497-57	0.2497	5.750	.030 x 45°
GS2497-58	0.2497	5.875	.030 x 45°
GS2497-60	0.2497	6.000	.030 x 45°
GS2497-61	0.2497	6.125	.030 x 45°
GS2497-62	0.2497	6.250	.030 x 45°
GS2497-63	0.2497	6.375	.030 x 45°
GS2497-65	0.2497	6.500	.030 x 45°
GS2497-66	0.2497	6.625	.030 x 45°

Part Number	Actual Diameter	Length	Chamfer
GS2497-67	0.2497	6.750	.030 x 45°
GS2497-70	0.2497	7.000	.030 x 45°
GS2497-72	0.2497	7.250	.030 x 45°
GS2497-75	0.2497	7.500	.030 x 45°
GS2497-77	0.2497	7.750	.030 x 45°
GS2497-80	0.2497	8.000	.030 x 45°
GS2497-82	0.2497	8.250	.030 x 45°
GS2497-85	0.2497	8.500	.030 x 45°
GS2497-90	0.2497	9.000	.030 x 45°
GS2497-95	0.2497	9.500	.030 x 45°
GS2497-100	0.2497	10.000	.030 x 45°
GS2497-110	0.2497	11.000	.030 x 45°
GS2497-120	0.2497	12.000	.030 x 45°
GS2497-130	0.2497	13.000	.030 x 45°
GS2497-140	0.2497	14.000	.030 x 45°
GS2497-150	0.2497	15.000	.030 x 45°
GS2497-160	0.2497	16.000	.030 x 45°
GS2497-180	0.2497	18.000	.030 x 45°
GS2497-200	0.2497	20.000	.030 x 45°
GS2497-220	0.2497	22.000	.030 x 45°
GS2497-240	0.2497	24.000	.030 x 45°

Precision ground 303 Stainless Steel
400 Lengths from 1" to 36" in 6 diameters
Toleranced for ball bearings

Perfect for use with: ball bearings, pulleys, couplings,
gears, any rotating components

Straightness within .0003"/Inch for 1/8", 3/16", 1/4" diameter

Straightness within .0004"/Inch for all other diameters

From stock delivery

Other materials available from stock: 303, 316, 12L14

Special sizes and other materials are available, please ask

Customizing: grooves, journals, flats, drill holes,
chamfers, special diameters, special lengths

ondrives.us

☎ 1-888-260-7466

📄 516-771-6444

💻 sales@ondrivesus.com

🌐 www.ondrivesus.com

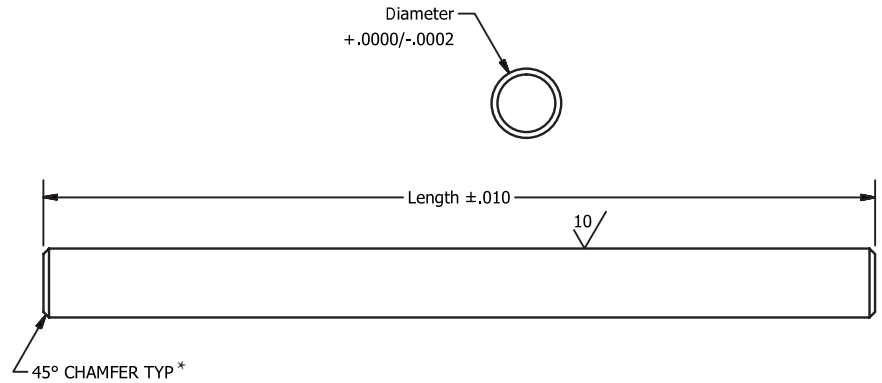
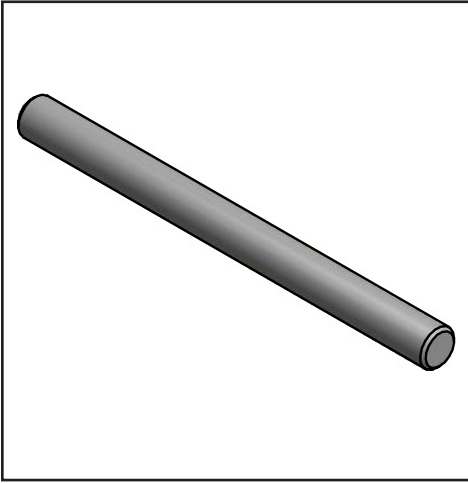
GS3122

SHAFTS

GS3122

Precision Ground 303 Stainless Shafting

400 Incremental Lengths from 1" to 36" in 6 diameters
Bearing Toleranced Incremental Lengths



Straightness .0003in/in up to 1/4" Dia.,

Part Number	Actual Diameter	Length	Chamfer
GS3122-13	0.3122	1.375	.030 x 45°
GS3122-15	0.3122	1.500	.030 x 45°
GS3122-16	0.3122	1.625	.030 x 45°
GS3122-17	0.3122	1.750	.030 x 45°
GS3122-18	0.3122	1.875	.030 x 45°
GS3122-20	0.3122	2.000	.030 x 45°
GS3122-21	0.3122	2.125	.030 x 45°
GS3122-22	0.3122	2.250	.030 x 45°
GS3122-23	0.3122	2.375	.030 x 45°
GS3122-25	0.3122	2.500	.030 x 45°
GS3122-26	0.3122	2.625	.030 x 45°
GS3122-27	0.3122	2.750	.030 x 45°
GS3122-28	0.3122	2.875	.030 x 45°
GS3122-30	0.3122	3.000	.030 x 45°
GS3122-31	0.3122	3.125	.030 x 45°
GS3122-32	0.3122	3.250	.030 x 45°
GS3122-33	0.3122	3.375	.030 x 45°
GS3122-35	0.3122	3.500	.030 x 45°
GS3122-36	0.3122	3.625	.030 x 45°
GS3122-37	0.3122	3.750	.030 x 45°
GS3122-38	0.3122	3.875	.030 x 45°
GS3122-40	0.3122	4.000	.030 x 45°
GS3122-41	0.3122	4.125	.030 x 45°

Part Number	Actual Diameter	Length	Chamfer
GS3122-42	0.3122	4.250	.030 x 45°
GS3122-43	0.3122	4.375	.030 x 45°
GS3122-45	0.3122	4.500	.030 x 45°
GS3122-46	0.3122	4.625	.030 x 45°
GS3122-47	0.3122	4.750	.030 x 45°
GS3122-48	0.3122	4.875	.030 x 45°
GS3122-50	0.3122	5.000	.030 x 45°
GS3122-51	0.3122	5.125	.030 x 45°
GS3122-52	0.3122	5.250	.030 x 45°
GS3122-53	0.3122	5.375	.030 x 45°
GS3122-55	0.3122	5.500	.030 x 45°
GS3122-56	0.3122	5.625	.030 x 45°
GS3122-57	0.3122	5.750	.030 x 45°
GS3122-58	0.3122	5.875	.030 x 45°
GS3122-60	0.3122	6.000	.030 x 45°
GS3122-61	0.3122	6.125	.030 x 45°
GS3122-62	0.3122	6.250	.030 x 45°
GS3122-63	0.3122	6.375	.030 x 45°
GS3122-65	0.3122	6.500	.030 x 45°
GS3122-66	0.3122	6.625	.030 x 45°
GS3122-67	0.3122	6.750	.030 x 45°
GS3122-70	0.3122	7.000	.030 x 45°
GS3122-72	0.3122	7.250	.030 x 45°

Part Number	Actual Diameter	Length	Chamfer
GS3122-75	0.3122	7.500	.030 x 45°
GS3122-77	0.3122	7.750	.030 x 45°
GS3122-80	0.3122	8.000	.030 x 45°
GS3122-82	0.3122	8.250	.030 x 45°
GS3122-85	0.3122	8.500	.030 x 45°
GS3122-90	0.3122	9.000	.030 x 45°
GS3122-95	0.3122	9.500	.030 x 45°
GS3122-100	0.3122	10.000	.030 x 45°
GS3122-110	0.3122	11.000	.030 x 45°
GS3122-120	0.3122	12.000	.030 x 45°
GS3122-130	0.3122	13.000	.030 x 45°
GS3122-140	0.3122	14.000	.030 x 45°
GS3122-150	0.3122	15.000	.030 x 45°
GS3122-160	0.3122	16.000	.030 x 45°
GS3122-180	0.3122	18.000	.030 x 45°
GS3122-200	0.3122	20.000	.030 x 45°
GS3122-220	0.3122	22.000	.030 x 45°
GS3122-240	0.3122	24.000	.030 x 45°

+0.0000

Diameter tolerance -0.0002

Precision ground 303 Stainless Steel

400 Lengths from 1" to 36" in 6 diameters

Toleranced for ball bearings

Perfect for use with: ball bearings, pulleys, couplings, gears, any rotating components

Straightness within .0003"/Inch for 1/8", 3/16", 1/4" diameter

Straightness within .0004"/Inch for all other diameters

From stock delivery

Other materials available from stock: 303, 316, 12L14

Special sizes and other materials are available, please ask

Customizing: grooves, journals, flats, drill holes, chamfers, special diameters, special lengths

ondrives.us

☎ 1-888-260-7466

📄 516-771-6444

💻 sales@ondrivesus.com

🌐 www.ondrivesus.com

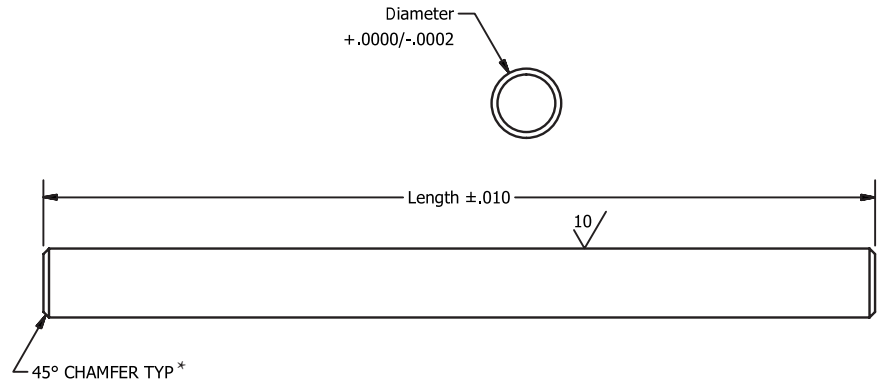
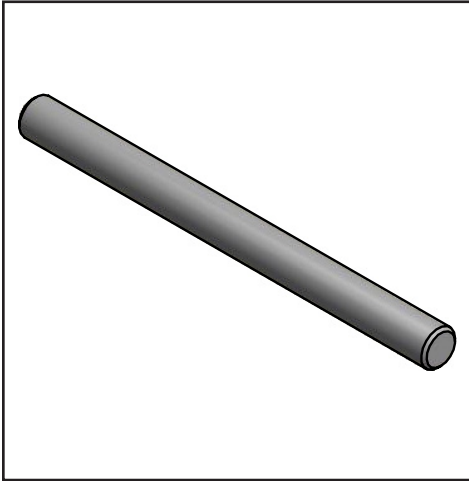
GS3747

SHAFTS

GS3747

Precision Ground 303 Stainless Shafting

400 Incremental Lengths from 1" to 36" in 6 diameters
Bearing Toleranced Incremental Lengths



Straightness .0003in/in up to 1/4" Dia.,

+0.0000
Diameter tolerance -0.0002

Part Number	Actual Diameter	Length	Chamfer
GS3747-18	0.3747	1.875	.030 x 45°
GS3747-20	0.3747	2.000	.030 x 45°
GS3747-21	0.3747	2.125	.030 x 45°
GS3747-22	0.3747	2.250	.030 x 45°
GS3747-23	0.3747	2.375	.030 x 45°
GS3747-25	0.3747	2.500	.030 x 45°
GS3747-26	0.3747	2.625	.030 x 45°
GS3747-27	0.3747	2.750	.030 x 45°
GS3747-28	0.3747	2.875	.030 x 45°
GS3747-30	0.3747	3.000	.030 x 45°
GS3747-31	0.3747	3.125	.030 x 45°
GS3747-32	0.3747	3.250	.030 x 45°
GS3747-33	0.3747	3.375	.030 x 45°
GS3747-35	0.3747	3.500	.030 x 45°
GS3747-36	0.3747	3.625	.030 x 45°
GS3747-37	0.3747	3.750	.030 x 45°
GS3747-38	0.3747	3.875	.030 x 45°
GS3747-40	0.3747	4.000	.030 x 45°
GS3747-41	0.3747	4.125	.030 x 45°
GS3747-42	0.3747	4.250	.030 x 45°
GS3747-43	0.3747	4.375	.030 x 45°
GS3747-45	0.3747	4.500	.030 x 45°
GS3747-46	0.3747	4.625	.030 x 45°

Part Number	Actual Diameter	Length	Chamfer
GS3747-47	0.3747	4.750	.030 x 45°
GS3747-48	0.3747	4.875	.030 x 45°
GS3747-50	0.3747	5.000	.030 x 45°
GS3747-51	0.3747	5.125	.030 x 45°
GS3747-52	0.3747	5.250	.030 x 45°
GS3747-53	0.3747	5.375	.030 x 45°
GS3747-55	0.3747	5.500	.030 x 45°
GS3747-56	0.3747	5.625	.030 x 45°
GS3747-57	0.3747	5.750	.030 x 45°
GS3747-58	0.3747	5.875	.030 x 45°
GS3747-60	0.3747	6.000	.030 x 45°
GS3747-61	0.3747	6.125	.030 x 45°
GS3747-62	0.3747	6.250	.030 x 45°
GS3747-63	0.3747	6.375	.030 x 45°
GS3747-65	0.3747	6.500	.030 x 45°
GS3747-66	0.3747	6.625	.030 x 45°
GS3747-67	0.3747	6.750	.030 x 45°
GS3747-70	0.3747	7.000	.030 x 45°
GS3747-72	0.3747	7.250	.030 x 45°
GS3747-75	0.3747	7.500	.030 x 45°
GS3747-77	0.3747	7.750	.030 x 45°
GS3747-80	0.3747	8.875	.030 x 45°
GS3747-82	0.3747	8.250	.030 x 45°

Part Number	Actual Diameter	Length	Chamfer
GS3747-85	0.3747	8.500	.030 x 45°
GS3747-90	0.3747	9.000	.030 x 45°
GS3747-95	0.3747	9.500	.030 x 45°
GS3747-100	0.3747	10.000	.030 x 45°
GS3747-110	0.3747	11.000	.030 x 45°
GS3747-120	0.3747	12.000	.030 x 45°
GS3747-130	0.3747	13.000	.030 x 45°
GS3747-140	0.3747	14.000	.030 x 45°
GS3747-150	0.3747	15.000	.030 x 45°
GS3747-160	0.3747	16.000	.030 x 45°
GS3747-180	0.3747	18.000	.030 x 45°
GS3747-200	0.3747	20.000	.030 x 45°
GS3747-220	0.3747	22.000	.030 x 45°
GS3747-240	0.3747	24.000	.030 x 45°
GS3747-260	0.3747	26.000	.030 x 45°
GS3747-280	0.3747	28.000	.030 x 45°
GS3747-300	0.3747	30.000	.030 x 45°
GS3747-320	0.3747	32.000	.030 x 45°
GS3747-340	0.3747	34.000	.030 x 45°
GS3747-360	0.3747	36.000	.030 x 45°

Precision ground 303 Stainless Steel
400 Lengths from 1" to 36" in 6 diameters
Toleranced for ball bearings

Perfect for use with: ball bearings, pulleys, couplings,
gears, any rotating components

Straightness within .0003"/Inch for 1/8", 3/16", 1/4" diameter

Straightness within .0004"/Inch for all other diameters

From stock delivery

Other materials available from stock: 303, 316, 12L14

Special sizes and other materials are available, please ask

Customizing: grooves, journals, flats, drill holes,
chamfers, special diameters, special lengths

ondrives.us

☎ 1-888-260-7466

📄 516-771-6444

💻 sales@ondrivesus.com

🌐 www.ondrivesus.com

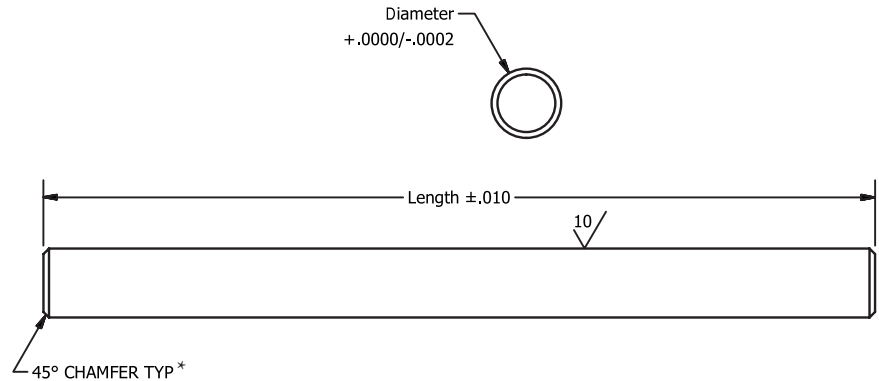
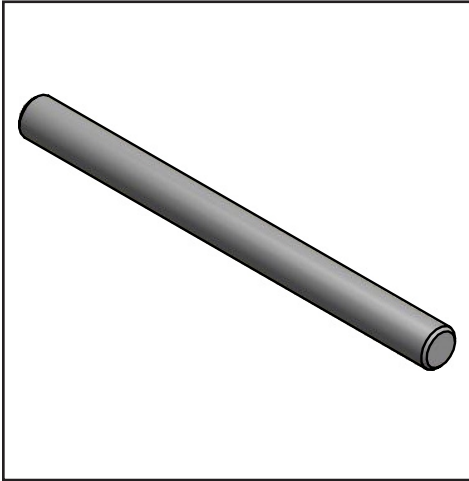
GS4997

SHAFTS

GS4997

Precision Ground 303 Stainless Shafting

400 Incremental Lengths from 1" to 36" in 6 diameters
Bearing Toleranced Incremental Lengths



Straightness .0003in/in up to 1/4" Dia.,

+0.0000
Diameter tolerance -0.0002

Part Number	Actual Diameter	Length	Chamfer
GS4997-20	0.4997	2.000	.030 x 45°
GS4997-21	0.4997	2.125	.030 x 45°
GS4997-22	0.4997	2.250	.030 x 45°
GS4997-23	0.4997	2.375	.030 x 45°
GS4997-25	0.4997	2.500	.030 x 45°
GS4997-26	0.4997	2.625	.030 x 45°
GS4997-27	0.4997	2.750	.030 x 45°
GS4997-28	0.4997	2.875	.030 x 45°
GS4997-30	0.4997	3.000	.030 x 45°
GS4997-31	0.4997	3.125	.030 x 45°
GS4997-32	0.4997	3.250	.030 x 45°
GS4997-33	0.4997	3.375	.030 x 45°
GS4997-35	0.4997	3.500	.030 x 45°
GS4997-36	0.4997	3.625	.030 x 45°
GS4997-37	0.4997	3.750	.030 x 45°
GS4997-38	0.4997	3.875	.030 x 45°
GS4997-40	0.4997	4.000	.030 x 45°
GS4997-41	0.4997	4.125	.030 x 45°
GS4997-42	0.4997	4.250	.030 x 45°
GS4997-43	0.4997	4.375	.030 x 45°
GS4997-45	0.4997	4.500	.030 x 45°
GS4997-46	0.4997	4.625	.030 x 45°
GS4997-47	0.4997	4.750	.030 x 45°

Part Number	Actual Diameter	Length	Chamfer
GS4997-48	0.4997	4.875	.030 x 45°
GS4997-50	0.4997	5.000	.030 x 45°
GS4997-51	0.4997	5.125	.030 x 45°
GS4997-52	0.4997	5.250	.030 x 45°
GS4997-53	0.4997	5.375	.030 x 45°
GS4997-55	0.4997	5.500	.030 x 45°
GS4997-56	0.4997	5.625	.030 x 45°
GS4997-57	0.4997	5.750	.030 x 45°
GS4997-58	0.4997	5.875	.030 x 45°
GS4997-60	0.4997	6.000	.030 x 45°
GS4997-61	0.4997	6.125	.030 x 45°
GS4997-62	0.4997	6.250	.030 x 45°
GS4997-63	0.4997	6.375	.030 x 45°
GS4997-65	0.4997	6.500	.030 x 45°
GS4997-66	0.4997	6.625	.030 x 45°
GS4997-67	0.4997	6.750	.030 x 45°
GS4997-70	0.4997	7.000	.030 x 45°
GS4997-72	0.4997	7.250	.030 x 45°
GS4997-75	0.4997	7.500	.030 x 45°
GS4997-77	0.4997	7.750	.030 x 45°
GS4997-80	0.4997	8.000	.030 x 45°
GS4997-82	0.4997	8.250	.030 x 45°
GS4997-85	0.4997	8.500	.030 x 45°

Part Number	Actual Diameter	Length	Chamfer
GS4997-90	0.4997	9.000	.030 x 45°
GS4997-95	0.4997	9.500	.030 x 45°
GS4997-100	0.4997	10.000	.030 x 45°
GS4997-110	0.4997	11.000	.030 x 45°
GS4997-120	0.4997	12.000	.030 x 45°
GS4997-130	0.4997	13.000	.030 x 45°
GS4997-140	0.4997	14.000	.030 x 45°
GS4997-150	0.4997	15.000	.030 x 45°
GS4997-160	0.4997	16.000	.030 x 45°
GS4997-180	0.4997	18.000	.030 x 45°
GS4997-200	0.4997	20.000	.030 x 45°
GS4997-220	0.4997	22.000	.030 x 45°
GS4997-240	0.4997	24.000	.030 x 45°
GS4997-260	0.4997	26.000	.030 x 45°
GS4997-280	0.4997	28.000	.030 x 45°
GS4997-300	0.4997	30.000	.030 x 45°
GS4997-320	0.4997	32.000	.030 x 45°
GS4997-340	0.4997	34.000	.030 x 45°
GS4997-360	0.4997	36.000	.030 x 45°

Precision ground 303 Stainless Steel
400 Lengths from 1" to 36" in 6 diameters
Toleranced for ball bearings
Perfect for use with: ball bearings, pulleys, couplings, gears, any rotating components
Straightness within .0003"/Inch for 1/8", 3/16", 1/4" diameter
Straightness within .0004"/Inch for all other diameters

From stock delivery
Other materials available from stock: 303, 316, 12L14
Special sizes and other materials are available, please ask
Customizing: grooves, journals, flats, drill holes, chamfers, special diameters, special lengths

ondrives.us

☎ 1-888-260-7466
 📄 516-771-6444

💻 sales@ondrivesus.com
 🌐 www.ondrivesus.com