

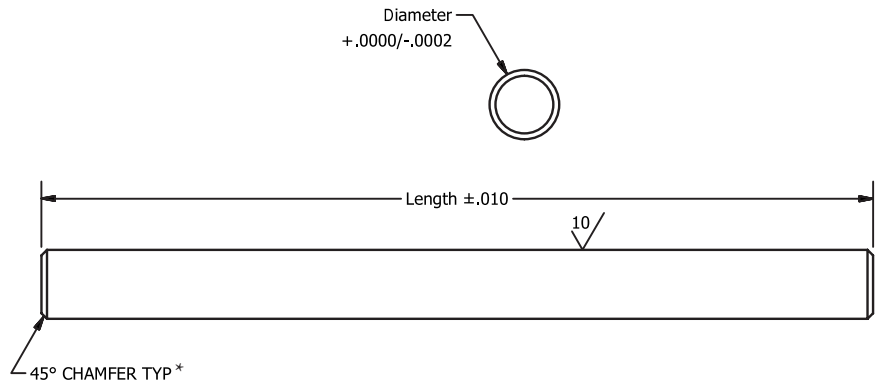
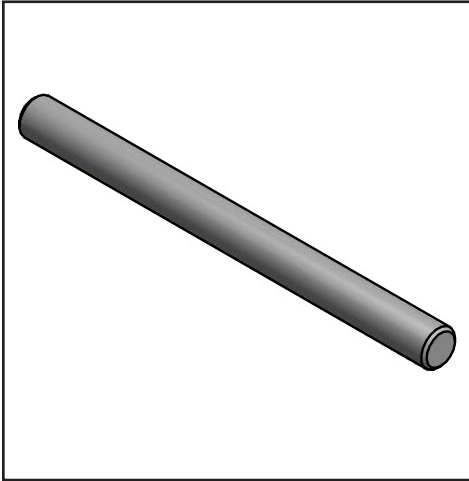
GT

SHAFTS

Precision Ground Shafting

Inch - 316 Stainless Steel

GT



Surface Finish 10µin

Rockwell B83

*Chamfered both ends

Part Number	Ref.	+0.0000 / -0.0002 Diameter	+/- .010 Length
GT0312-30	1/32"	0.0312	3.00
GT0312-40	1/32"	0.0312	4.00
GT0312-50	1/32"	0.0312	5.00
GT0312-60	1/32"	0.0312	6.00
GT0312-70	1/32"	0.0312	7.00
GT0312-80	1/32"	0.0312	8.00
GT0312-90	1/32"	0.0312	9.00
GT0312-100	1/32"	0.0312	10.00
GT0312-120	1/32"	0.0312	12.00
GT0312-180	1/32"	0.0312	18.00
GT0468-30	3/64"	0.0468	3.00
GT0468-40	3/64"	0.0468	4.00
GT0468-50	3/64"	0.0468	5.00
GT0468-60	3/64"	0.0468	6.00
GT0468-70	3/64"	0.0468	7.00
GT0468-80	3/64"	0.0468	8.00
GT0468-90	3/64"	0.0468	9.00
GT0468-100	3/64"	0.0468	10.00
GT0468-120	3/64"	0.0468	12.00
GT0468-180	3/64"	0.0468	18.00
GT0468-240	3/64"	0.0468	24.00
GT0625-30	1/16"	0.0625	3.00
GT0625-40	1/16"	0.0625	4.00
GT0625-50	1/16"	0.0625	5.00
GT0625-60	1/16"	0.0625	6.00
GT0625-70	1/16"	0.0625	7.00
GT0625-80	1/16"	0.0625	8.00
GT0625-90	1/16"	0.0625	9.00
GT0625-100	1/16"	0.0625	10.00
GT0625-120	1/16"	0.0625	12.00
GT0625-180	1/16"	0.0625	18.00
GT0625-240	1/16"	0.0625	24.00
GT0625-300	1/16"	0.0625	30.00
GT0625-360	1/16"	0.0625	36.00

*Chamfered 0.0937" diameter and larger,
Rough cut under 0.0937" diameter

Part Number	Ref.	+0.0000 / -0.0002 Diameter	+/- .010 Length
GT0781-30	5/64"	0.0781	3.00
GT0781-40	5/64"	0.0781	4.00
GT0781-50	5/64"	0.0781	5.00
GT0781-60	5/64"	0.0781	6.00
GT0781-70	5/64"	0.0781	7.00
GT0781-80	5/64"	0.0781	8.00
GT0781-90	5/64"	0.0781	9.00
GT0781-100	5/64"	0.0781	10.00
GT0781-120	5/64"	0.0781	12.00
GT0781-180	5/64"	0.0781	18.00
GT0781-240	5/64"	0.0781	24.00
GT0781-300	5/64"	0.0781	30.00
GT0781-360	5/64"	0.0781	36.00
GT0937-30	3/32"	0.0937	3.00
GT0937-40	3/32"	0.0937	4.00
GT0937-50	3/32"	0.0937	5.00
GT0937-60	3/32"	0.0937	6.00
GT0937-70	3/32"	0.0937	7.00
GT0937-80	3/32"	0.0937	8.00
GT0937-90	3/32"	0.0937	9.00
GT0937-100	3/32"	0.0937	10.00
GT0937-120	3/32"	0.0937	12.00
GT0937-180	3/32"	0.0937	18.00
GT0937-240	3/32"	0.0937	24.00
GT0937-300	3/32"	0.0937	30.00
GT0937-360	3/32"	0.0937	36.00

Precision ground 316 Stainless Steel

12 Diameters up to .0312 to .3750

Lengths from 3" to 36"

Straightness:

1/8" to 1/4" Diameter: 0.0004in./in.

Over 1/4" Diameter: 0.0006in./in.

***Chamfer:** 1/8" Diameter and larger. Break edge below 1/8" Diameter

From stock delivery

Other materials available from stock: 303, 17-4 PH, 12L14

Special sizes and other materials are available, please ask

Customizing: grooves, journals, flats, drill holes,
thread + tapped holes, chamfers, special diameters,
special lengths

ondrives.us

☎ 1-888-260-7466

💻 sales@ondrivesus.com

📄 516-771-6444

🌐 www.ondrivesus.com

GT

SHAFTS

Precision Ground Shafting

Inch - 316 Stainless Steel

GT

Rockwell B83

*Chamfered both ends

Surface Finish 10µin

Part Number	Ref.	+0.0000 / -.0002 Diameter	+/- .010 Length
GT1250-30	1/8"	0.1250	3.00
GT1250-40	1/8"	0.1250	4.00
GT1250-50	1/8"	0.1250	5.00
GT1250-60	1/8"	0.1250	6.00
GT1250-70	1/8"	0.1250	7.00
GT1250-80	1/8"	0.1250	8.00
GT1250-90	1/8"	0.1250	9.00
GT1250-100	1/8"	0.1250	10.00
GT1250-120	1/8"	0.1250	12.00
GT1250-180	1/8"	0.1250	18.00
GT1250-240	1/8"	0.1250	24.00
GT1250-300	1/8"	0.1250	30.00
GT1250-360	1/8"	0.1250	36.00
GT1562-30	5/32"	0.1562	3.00
GT1562-40	5/32"	0.1562	4.00
GT1562-50	5/32"	0.1562	5.00
GT1562-60	5/32"	0.1562	6.00
GT1562-70	5/32"	0.1562	7.00
GT1562-80	5/32"	0.1562	8.00
GT1562-90	5/32"	0.1562	9.00
GT1562-100	5/32"	0.1562	10.00
GT1562-120	5/32"	0.1562	12.00
GT1562-180	5/32"	0.1562	18.00
GT1562-240	5/32"	0.1562	24.00
GT1562-300	5/32"	0.1562	30.00
GT1562-360	5/32"	0.1562	36.00
GT1875-30	3/16"	0.1875	3.00
GT1875-40	3/16"	0.1875	4.00
GT1875-50	3/16"	0.1875	5.00
GT1875-60	3/16"	0.1875	6.00
GT1875-70	3/16"	0.1875	7.00
GT1875-80	3/16"	0.1875	8.00
GT1875-90	3/16"	0.1875	9.00
GT1875-100	3/16"	0.1875	10.00
GT1875-120	3/16"	0.1875	12.00
GT1875-180	3/16"	0.1875	18.00
GT1875-240	3/16"	0.1875	24.00
GT1875-300	3/16"	0.1875	30.00
GT1875-360	3/16"	0.1875	36.00

*Chamfered 0.0937" diameter and larger,
Rough cut under 0.0937" diameter

Precision ground 316 Stainless Steel

12 Diameters up to .0312 to .3750

Lengths from 3" to 36"

Straightness:

1/8" to 1/4" Diameter: 0.0004in./in.

Over 1/4" Diameter: 0.0006in./in.

***Chamfer:** 1/8" Diameter and larger. Break edge below 1/8" Diameter


From stock delivery


Other materials available from stock: 303, 17-4 PH, 12L14

Special sizes and other materials are available, please ask

Customizing: grooves, journals, flats, drill holes,
thread + tapped holes, chamfers, special diameters,
special lengths

Part Number	Ref.	+0.0000 / -.0002 Diameter	+/- .010 Length
GT2187-30	7/32"	0.2187	3.00
GT2187-40	7/32"	0.2187	4.00
GT2187-50	7/32"	0.2187	5.00
GT2187-60	7/32"	0.2187	6.00
GT2187-70	7/32"	0.2187	7.00
GT2187-80	7/32"	0.2187	8.00
GT2187-90	7/32"	0.2187	9.00
GT2187-100	7/32"	0.2187	10.00
GT2187-120	7/32"	0.2187	12.00
GT2187-180	7/32"	0.2187	18.00
GT2187-240	7/32"	0.2187	24.00
GT2187-300	7/32"	0.2187	30.00
GT2187-360	7/32"	0.2187	36.00
GT2500-30	1/4"	0.2500	3.00
GT2500-40	1/4"	0.2500	4.00
GT2500-50	1/4"	0.2500	5.00
GT2500-60	1/4"	0.2500	6.00
GT2500-70	1/4"	0.2500	7.00
GT2500-80	1/4"	0.2500	8.00
GT2500-90	1/4"	0.2500	9.00
GT2500-100	1/4"	0.2500	10.00
GT2500-120	1/4"	0.2500	12.00
GT2500-180	1/4"	0.2500	18.00
GT2500-240	1/4"	0.2500	24.00
GT2500-300	1/4"	0.2500	30.00
GT2500-360	1/4"	0.2500	36.00
GT3125-30	5/16"	0.3125	3.00
GT3125-40	5/16"	0.3125	4.00
GT3125-50	5/16"	0.3125	5.00
GT3125-60	5/16"	0.3125	6.00
GT3125-70	5/16"	0.3125	7.00
GT3125-80	5/16"	0.3125	8.00
GT3125-90	5/16"	0.3125	9.00
GT3125-100	5/16"	0.3125	10.00
GT3125-120	5/16"	0.3125	12.00
GT3125-180	5/16"	0.3125	18.00
GT3125-240	5/16"	0.3125	24.00
GT3125-300	5/16"	0.3125	30.00
GT3125-360	5/16"	0.3125	36.00
GT3750-30	3/8"	0.3750	3.00
GT3750-40	3/8"	0.3750	4.00
GT3750-50	3/8"	0.3750	5.00
GT3750-60	3/8"	0.3750	6.00
GT3750-70	3/8"	0.3750	7.00
GT3750-80	3/8"	0.3750	8.00
GT3750-90	3/8"	0.3750	9.00
GT3750-100	3/8"	0.3750	10.00
GT3750-120	3/8"	0.3750	12.00
GT3750-180	3/8"	0.3750	18.00
GT3750-240	3/8"	0.3750	24.00
GT3750-300	3/8"	0.3750	30.00
GT3750-360	3/8"	0.3750	36.00


 1-888-260-7466

 516-771-6444

 sales@ondrivesus.com

 www.ondrivesus.com

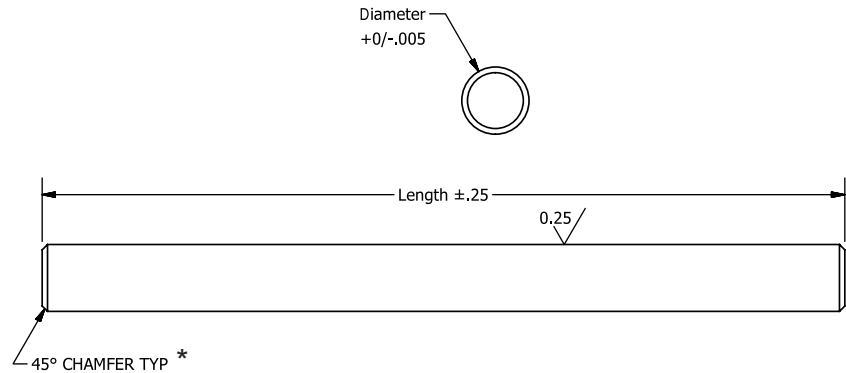
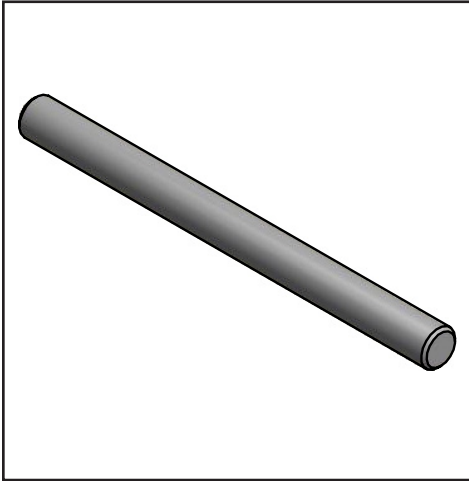
GTM

SHAFTS

Precision Ground Shafting

Metric - 316 Stainless Steel

GTM



Surface Finish .25µin

Rockwell B83

*Chamfered both ends

Part Number	Ref.	+0/-.005 Diameter	+/- 0.25 Length
GTM1000-200	1mm	1.000	200mm
GTM1000-400	1mm	1.000	400mm
GTM1500-200	1.5mm	1.500	200mm
GTM1500-400	1.5mm	1.500	400mm
GTM2000-200	2mm	2.000	200mm
GTM2000-400	2mm	2.000	400mm
GTM2000-600	2mm	2.000	600mm
GTM2000-800	2mm	2.000	800mm
GTM2500-200	2.5mm	2.500	200mm
GTM2500-400	2.5mm	2.500	400mm
GTM2500-600	2.5mm	2.500	600mm
GTM2500-800	2.5mm	2.500	800mm
GTM3000-200	3mm	3.000	200mm
GTM3000-400	3mm	3.000	400mm
GTM3000-600	3mm	3.000	600mm
GTM3000-800	3mm	3.000	800mm
GTM4000-200	4mm	4.000	200mm
GTM4000-400	4mm	4.000	400mm
GTM4000-600	4mm	4.000	600mm
GTM4000-800	4mm	4.000	800mm

Part Number	Ref.	+0/-.005 Diameter	+/- 0.25 Length
GTM5000-200	5mm	5.000	200mm
GTM5000-400	5mm	5.000	400mm
GTM5000-600	5mm	5.000	600mm
GTM5000-800	5mm	5.000	800mm
GTM6000-200	6mm	6.000	200mm
GTM6000-400	6mm	6.000	400mm
GTM6000-600	6mm	6.000	600mm
GTM6000-800	6mm	6.000	800mm
GTM7000-200	7mm	7.000	200mm
GTM7000-400	7mm	7.000	400mm
GTM7000-600	7mm	7.000	600mm
GTM7000-800	7mm	7.000	800mm
GTM8000-200	8mm	8.000	200mm
GTM8000-400	8mm	8.000	400mm
GTM8000-600	8mm	8.000	600mm
GTM8000-800	8mm	8.000	800mm
GTM9000-200	9mm	9.000	200mm
GTM9000-400	9mm	9.000	400mm
GTM9000-600	9mm	9.000	600mm
GTM9000-800	9mm	9.000	800mm
GTM10000-200	10mm	10.000	200mm
GTM10000-400	10mm	10.000	400mm
GTM10000-600	10mm	10.000	600mm
GTM10000-800	10mm	10.000	800mm

Precision ground 316 Stainless Steel

12 Diameters 1mm to 10mm

Lengths from 100mm to 800mm

Straightness:

3mm to 6mm Diameter: 0.010mm/mm

Over 6mm Diameter: 0.015mm/mm

Chamfer: on 3mm Diameter and larger, Break edge below 3mm Diameter**From stock delivery****Other materials available from stock: 303, 17-4 PH, 12L14****Special sizes and other materials are available, please ask****Customizing: grooves, journals, flats, drill holes,****thread + tapped holes, chamfers, special diameters,****special lengths***Chamfered 2.5mm diameter and larger,
Rough cut under 2.5mm diameter

1-888-260-7466

516-771-6444

sales@ondrivesus.com

www.ondrivesus.com