

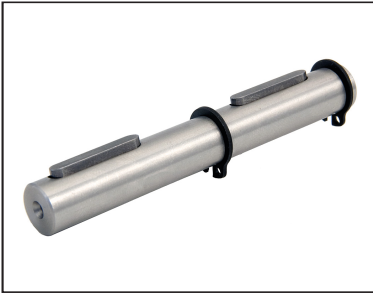
**P-X
P-DX**

SHAFTS

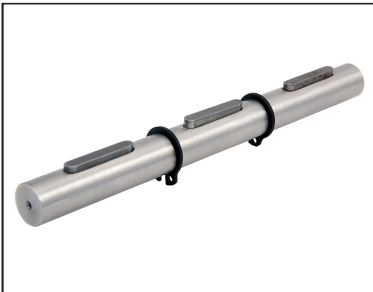
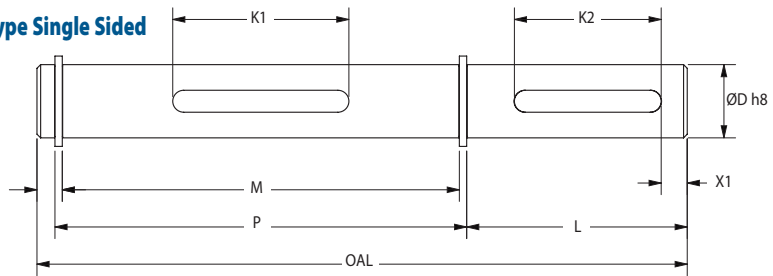
**P-X
P-DX**

Gearbox Output Shafts Single & Double Sided

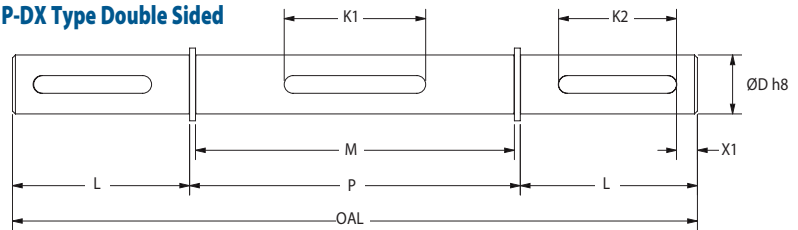
For P & PF Type Worm Gear Reducers



P-X Type Single Sided



P-DX Type Double Sided



All dimensions in millimeters.

Part Number	ØD	OAL	M	P	L	K1 To Suit Key	X1	K2 To Suit Key
SINGLE SIDED								
P20-X	6	50.8	22	23.6	25	KK2-20	1.50	KK2-20
P30-X	8	63.9	28	29.8	32	KK2-22	3.00	KK2-22
P40-X	10	76.6	32	34.2	40	KK3-20	3.50	KK3-20
P45-X	12	88.1	38	40.2	45	KK4-25	4.00	KK4-25
P55-X	15	101.1	46	48.2	50	KK5-30	4.00	KK5-30
P60-X	20	119.8	54	56.6	60	KK6-32	4.00	KK6-32
P70-X	25	135.8	60	62.6	70	KK8-7-40	4.50	KK8-40
DOUBLE SIDED								
P20-DX	6	73.6	22	23.6	25	KK2-20	1.50	KK2-20
P30-DX	8	93.8	28	29.8	32	KK2-22	5.45	KK2-22
P40-DX	10	114.2	32	34.2	40	KK3-20	9.90	KK3-20
P45-DX	12	130.2	38	40.2	45	KK4-25	4.00	KK4-25
P55-DX	15	148.2	46	48.2	50	KK5-30	9.90	KK5-30
P60-DX	20	176.6	54	56.6	60	KK6-32	13.75	KK6-32
P70-DX	25	202.5	60	62.6	70	KK8-7-40	14.90	KK8-40

Material

Stainless Steel 303 shaft. Includes Steel keys and cir-clips.
 Special shafts to your own design are available, P.O.A. Please fax a drawing for a quote.
 CAD drawings available on our website.

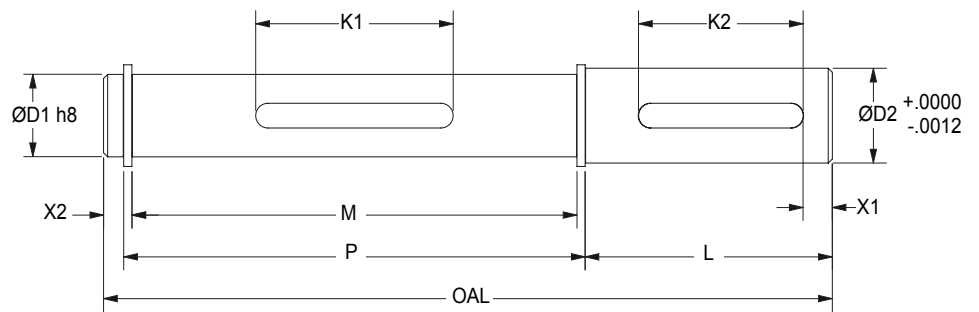
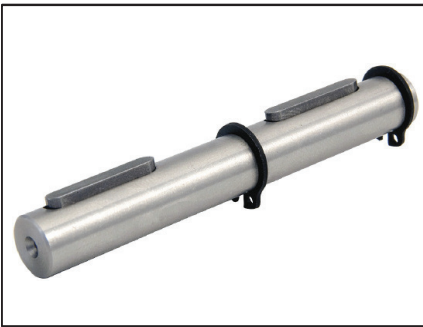
P-XP
E-XP

SHAFTS

P-XP
E-XP

Gearbox Output Shafts Single Sided

For P,PF, & E Type Gear Reducers



All dimensions in inches.

Part Number	ØD1	ØD2	OAL	M	P	X	L	K1	K2
P20-XP	6mm	1/4	1.797	0.866	0.929	0.118	3/4	KK2-20	3/32 x 1/2
P30-XP	8mm	3/8	2.291	1.102	1.173	0.118	1	KK2-22	3/32 x 1/2
P40-XP	10mm	7/16	2.734	1.260	1.347	0.138	1-1/4	KK3-20	1/8 x 1
P45-XP	12mm	1/2	3.240	1.496	1.583	0.158	1-1/2	KK4-25	1/8 x 1
P55-XP	15mm	5/8	3.805	1.811	1.893	0.158	1-3/4	KK5-30	3/16 x 1
P60-XP	20mm	7/8	4.406	2.126	2.228	0.177	2	KK6-32	1/4 x 1 1/4
P70-XP	25mm	1	4.642	2.362	2.465	0.177	2	KK8-7-40	1/4 x 1 1/2

All dimensions in millimeters.

Part Number	ØD1	ØD2	OAL	M	P	X	L	K1*	K2
E20-XP	6mm	1/4	2.506	1.575	1.638	0.118	3/4	KK2 x 36mm	3/32 x 1/2
E30-XP	10mm	7/16	3.350	2.126	2.213	0.138	1	KK3 x 50mm	3/32 x 1/2
E40-XP	15mm	5/8	4.329	2.835	2.921	0.158	1-1/4	KK5 x 68mm	3/16 x 1
E50-XP	20mm	7/8	5.244	3.465	3.567	0.177	1-1/2	KK6 x 84mm	1/4 x 1 1/4
E60-XP	25mm	1	6.222	4.173	4.276	0.197	1-3/4	KK8 x 102mm	1/4 x 1 1/2

* Combination of keys to form total length

Material

Stainless Steel 303 shaft. Includes Steel keys and cir-clips.
Special shafts to your own design are available, P.O.A. Please fax a drawing for a quote.
CAD drawings available on our website.