

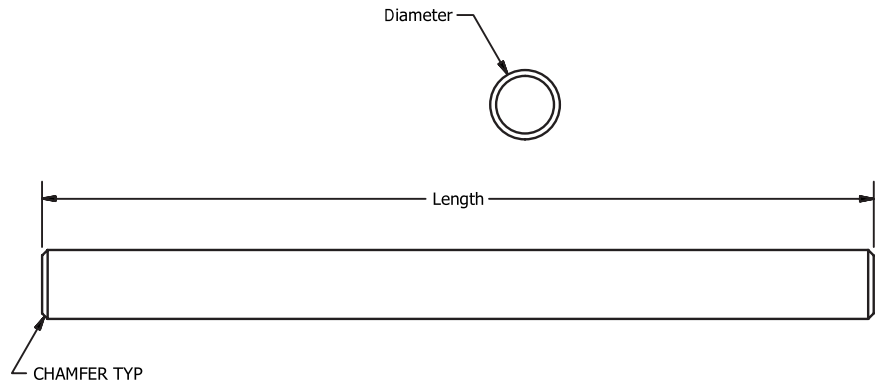
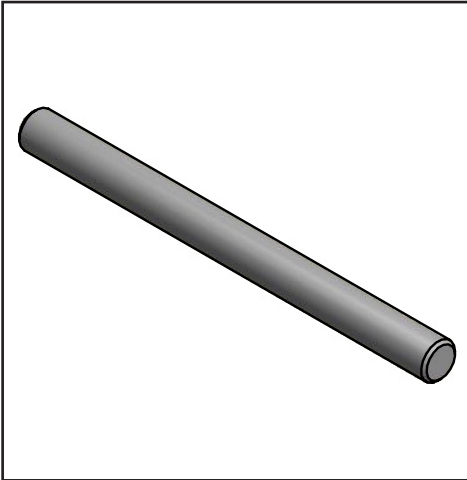
GLS

SHAFTS

GLS

Linear Shafting

Case Hardened & Ground



Rockwell C60

440C Stainless Steel- Hardened & Ground

Part Number	+0/-.0005 Diameter (In.)	+/-1/32" Length (In.)	Hardness	Weight (Lbs.)
GLS4995-120	0.4995	12	RC50 to RC65	0.68
GLS4995-240	0.4995	24	RC50 to RC65	1.36
GLS4995-360	0.4995	36	RC50 to RC65	2.04
GLS7495-120	0.7495	12	RC50 to RC65	1.52
GLS7495-240	0.7495	24	RC50 to RC65	3.04
GLS7495-360	0.7495	36	RC50 to RC65	4.56
GLS9995-120	0.9995	12	RC50 to RC65	2.80
GLS9995-240	0.9995	24	RC50 to RC65	5.60
GLS9995-360	0.9995	36	RC50 to RC65	8.10

Ideal for use with linear recirculating ball bushings and high load, high friction applications

ondrives.us

☎ 1-888-260-7466
📄 516-771-6444

💻 sales@ondrivesus.com
🌐 www.ondrivesus.com