

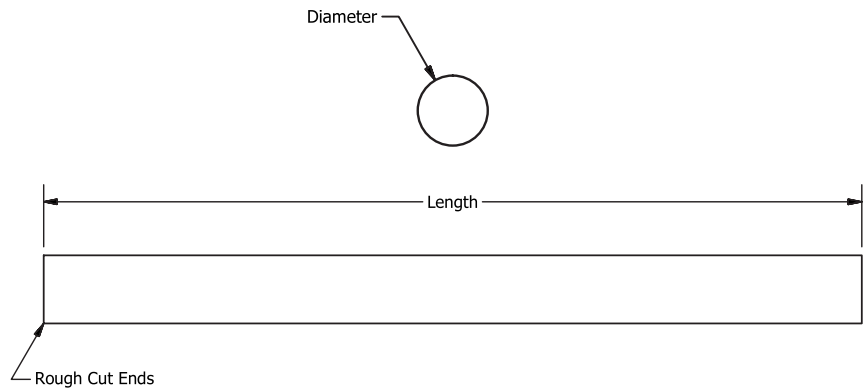
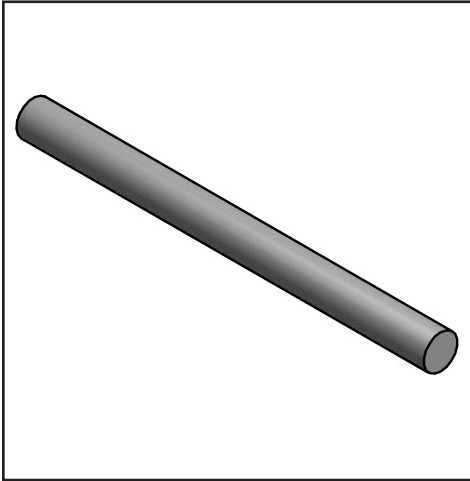
GA

SHAFTS

GA

12L14 Precision Ground Shafting

Inch - 1/8" to 1-1/4" Diameters
Rough Cut Ends



Toleranced for use with Ball Bearings

Inch Shafts			
Part Number	Nominal Diameter	Diameter	± .125" Length
GA1247-350SC	1/8"	0.1247	35"
GA1872-350SC	3/16"	0.1872	35"
GA2497-350SC	1/4"	0.2497	35"
GA3122-350SC	5/16"	0.3122	35"
GA3747-350SC	3/8"	0.3747	35"
GA4997-350SC	1/2"	0.4997	35"
GA6247-350SC	5/8"	0.6247	35"
GA7497-350SC	3/4"	0.7497	35"
GA9997-350SC	1"	0.9997	35"
GA12497-350SC	1-1/4"	1.2497	35"

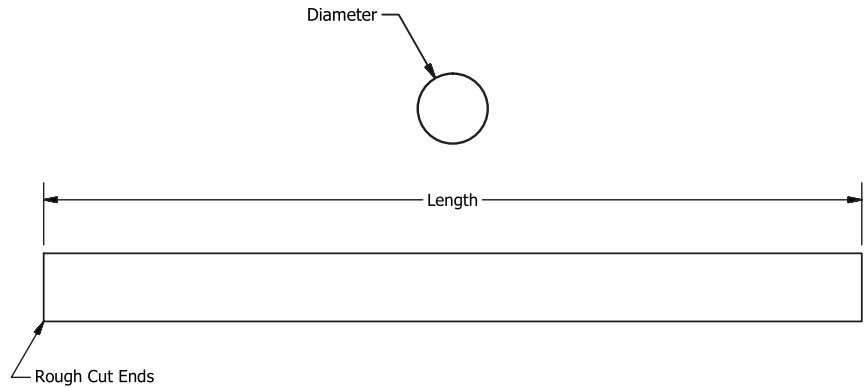
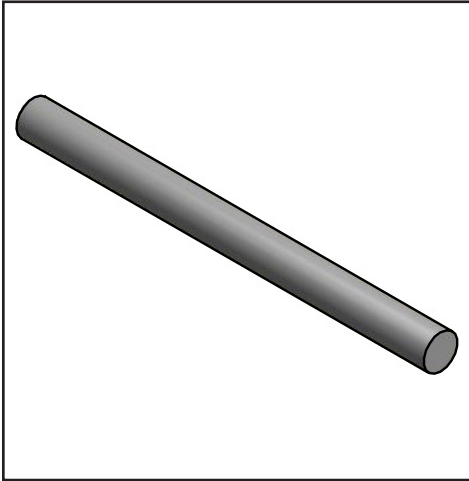
GS

SHAFTS

GS

303 Precision Ground Shafting

Inch - 1/32" to 1-1/4" Diameters
Nominal - Under Size/Oversize Rough Cut Ends



Part Number	Nominal Dia. (Ref)	Diameter (in.)	±1/8" Length
GS0313-120SC	1/32	.0313	-0.0002 12"
GS0317-120SC	1/32	.0317	-0.0002 12"
GS0467-120SC	3/64	.0467	-0.0002 12"
GS0548-120SC	1/16	.0548	-0.0002 12"
GS0622-120SC	1/16	.0622	-0.0002 12"
GS0626-120SC	1/16	.0626	-0.0002 12"
GS0630-120SC	1/16	.0630	-0.0002 12"
GS0778-120SC	5/64	.0778	-0.0002 12"
GS0781-120SC	5/64	.0781	-0.0002 12"
GS0786-120SC	5/64	.0786	-0.0002 12"
GS0934-120SC	3/32	.0934	-0.0002 12"
GS0938-120SC	3/32	.0938	-0.0002 12"
GS0942-120SC	3/32	.0942	-0.0002 12"
GS1251-120SC	1/8	.1251	-0.0002 12"
GS1247-240SC	1/8	.1247	-0.0002 24"
GS1250-240SC	1/8	.1250	-0.0002 24"
GS1251-240SC	1/8	.1251	-0.0002 24"
GS1255-240SC	1/8	.1255	-0.0002 24"
GS1559-240SC	5/32	.1559	-0.0002 24"
GS1562-240SC	5/32	.1562	-0.0002 24"
GS1567-240SC	5/32	.1567	-0.0002 24"

Part Number	Nominal Dia. (Ref)	Diameter (in.)	±1/8" Length
GS1872-240SC	3/16	.1872	-0.0002 24"
GS1875-240SC	3/16	.1875	-0.0002 24"
GS1880-240SC	3/16	.1880	-0.0002 24"
GS2184-240SC	7/32	.2184	-0.0002 24"
GS2187-240SC	7/32	.2187	-0.0002 24"
GS2192-240SC	7/32	.2192	-0.0002 24"
GS2497-240SC	1/4	.2497	-0.0002 24"
GS2500-240SC	1/4	.2500	-0.0002 24"
GS3122-240SC	5/16	.3122	-0.0002 24"
GS3125-240SC	5/16	.3125	-0.0002 24"
GS3130-240SC	5/16	.3130	-0.0002 24"
GS2490-360SC	1/4	.2490	-0.0003 36"
GS2495-360SC	1/4	.2495	-0.0003 36"
GS2497-360SC	1/4	.2497	-0.0002 36"
GS2500-360SC	1/4	.2500	-0.0002 36"
GS2505-360SC	1/4	.2505	-0.0002 36"
GS3740-360SC	3/8	.3740	-0.0003 36"
GS3745-360SC	3/8	.3745	-0.0003 36"
GS3747-360SC	3/8	.3747	-0.0002 36"
GS3750-360SC	3/8	.3750	-0.0002 36"
GS3755-360SC	3/8	.3755	-0.0002 36"

Part Number	Nominal Dia. (Ref)	Diameter (in.)	±1/8" Length
GS4990-360SC	1/2	.4990	-0.0005 36"
GS4995-360SC	1/2	.4995	-0.0005 36"
GS4997-360SC	1/2	.4997	-0.0002 36"
GS5000-360SC	1/2	.5000	-0.0002 36"
GS5005-360SC	1/2	.5005	-0.0002 36"
GS6247-360SC	5/8	.6247	-0.0004 36"
GS6250-360SC	5/8	.6250	-0.0004 36"
GS6255-360SC	5/8	.6255	-0.0004 36"
GS7490-360SC	3/4	.7490	-0.0005 36"
GS7495-360SC	3/4	.7495	-0.0005 36"
GS7497-360SC	3/4	.7497	-0.0004 36"
GS7500-360SC	3/4	.7500	-0.0004 36"
GS7505-360SC	3/4	.7505	-0.0004 36"
GS9990-360SC	1"	.9990	-0.0005 36"
GS9995-360SC	1"	.9995	-0.0005 36"
GS9997-360SC	1"	.9997	-0.0004 36"
GS10000-360SC	1"	1.0000	-0.0004 36"
GS10005-360SC	1"	1.0005	-0.0004 36"
GS12490-360SC	1-1/4	1.2490	-0.0005 36"
GS12495-360SC	1-1/4	1.2495	-0.0005 36"
GS12497-360SC	1-1/4	1.2497	-0.0004 36"

Precision ground 303 Stainless Steel

400 Lengths from 1" to 36" in 6 diameters

Toleranced for ball bearings, available in inch and metric sizes

Perfect for use with: ball bearings, pulleys, couplings, gears, any rotating components

Straightness within .0003"/Inch for 1/8", 3/16", 1/4" diameter

Straightness within .0004"/Inch for all other diameters

From stock delivery

Other materials available from stock: 303, 316, 12L14

Special sizes and other materials are available, please ask

Customizing: grooves, journals, flats, drill holes, thread + tapped holes, chamfers, special diameters, special lengths

ondrives.us

☎ 1-888-260-7466

📄 516-771-6444

💻 sales@ondrivesus.com

🌐 www.ondrivesus.com