

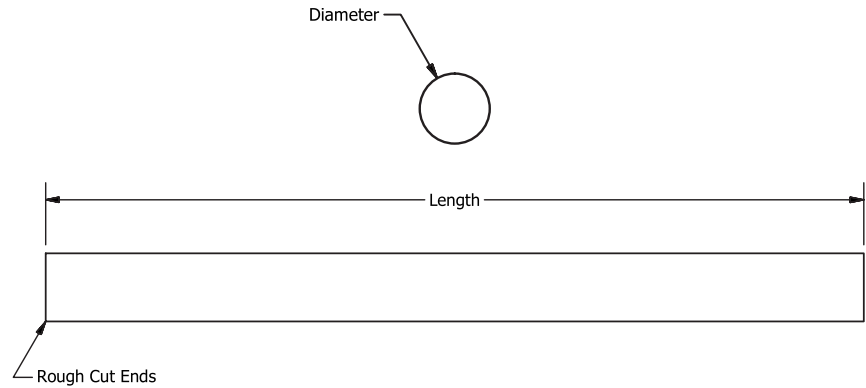
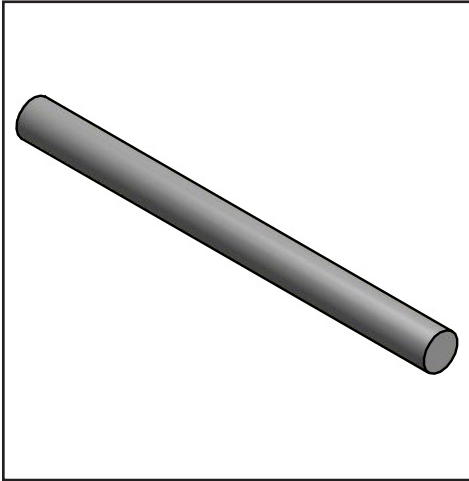
GAM

SHAFTS

GAM

12L14 Steel Precision Ground Shafting

Metric - 3mm to 32mm Diameters
Rough Cut Ends



*Toleranced for use with Ball Bearings

Metric Shafts				
Part Number	Nominal Diameter	Diameter	Diameter Tolerance	±.3mm Length
GAM2993-900SC	3mm	2.993	-.005mm	900mm
GAM3993-900SC	4mm	3.993	-.005mm	900mm
GAM5993-900SC	6mm	5.993	-.005mm	900mm
GAM7993-900SC	8mm	7.993	-.005mm	900mm
GAM9993-900SC	10mm	9.993	-.005mm	900mm
GAM11993-900SC	12mm	11.993	-.010mm	900mm
GAM15993-900SC	16mm	15.993	-.010mm	900mm
GAM19993-900SC	20mm	19.993	-.010mm	900mm
GAM24993-900SC	25mm	24.993	-.010mm	900mm
GAM31993-900SC	32mm	31.993	-.010mm	900mm

Specifications:

Material: 303 Stainless Steel

Ideal use for:

Ball bearings, pulleys, couplings, gears, any rotating component

From stock delivery

Special sizes and other materials are available, please ask
Customizing is available: grooves, journals, flats, drill holes, thread + tapped holes, chamfers, special diameters, special lengths

ondrives.us

☎ 1-888-260-7466

📄 516-771-6444

💻 sales@ondrivesus.com

🌐 www.ondrivesus.com

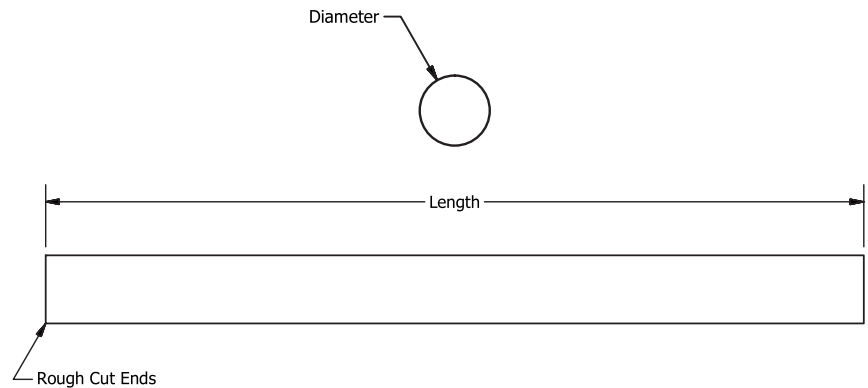
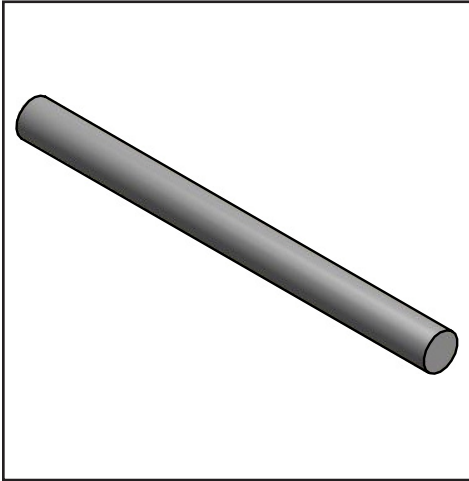
GSM

SHAFTS

GSM

303 Stainless Precision Ground Shafting

Metric - 3mm to 30mm Diameters
Rough Cut Ends



Part Number	Ref.	+0.00 / -.005 Diameter	+3mm Length
GSM2992-600SC	3mm	2.992	600mm
GSM3000-600SC	3mm	3.000	600mm
GSM3003-600SC	3mm	3.003	600mm
GSM3992-600SC	4mm	3.992	600mm
GSM3999-600SC	4mm	3.999	600mm
GSM4992-600SC	5mm	4.992	600mm
GSM5000-600SC	5mm	5.000	600mm
GSM5993-600SC	6mm	5.993	600mm
GSM6000-600SC	6mm	6.000	600mm
GSM6992-600SC	7mm	6.992	600mm
GSM7000-600SC	7mm	7.000	600mm
GSM7993-600SC	8mm	7.993	600mm
GSM8000-600SC	8mm	8.000	600mm
GSM4991-900SC	5mm	4.991	900mm
GSM5000-900SC	5mm	5.000	900mm
GSM5992-900SC	6mm	5.992	900mm
GSM6000-900SC	6mm	6.000	900mm
GSM6692-900SC	7mm	6.992	900mm
GSM7000-900SC	7mm	7.000	900mm
GSM7993-900SC	8mm	7.993	900mm
GSM8000-900SC	8mm	8.000	900mm

Part Number	Ref.	+0.00 / -.005 Diameter	+3mm Length
GSM8992-900SC	9mm	8.992	900mm
GSM9000-900SC	9mm	9.000	900mm
GSM9992-900SC	10mm	9.992	900mm
GSM10000-900SC	10mm	10.000	900mm
GSM11991-900SC	12mm	11.991	900mm
GSM12000-900SC	12mm	12.000	900mm
GSM12993-900SC	13mm	12.993	900mm
GSM13000-900SC	13mm	13.000	900mm
GSM13993-900SC	14mm	13.993	900mm
GSM14000-900SC	14mm	14.000	900mm
GSM14992-900SC	15mm	14.992	900mm
GSM15000-900SC	15mm	15.000	900mm
GSM15994-900SC	16mm	15.994	900mm
GSM16000-900SC	16mm	16.000	900mm
GSM19992-900SC	20mm	19.992	900mm
GSM20000-900SC	20mm	20.000	900mm
GSM24993-900SC	25mm	24.993	900mm
GSM25000-900SC	25mm	25.000	900mm
GSM29992-900SC	30mm	29.992	900mm
GSM30000-900SC	30mm	30.000	900mm

Specifications:

Material: 303 Stainless Steel

Ideal use for:

Ball bearings, pulleys, couplings, gears, any rotating component

Straightness:

3mm to 6mm Diameter: 0.010mm/mm

Over 6mm Diameter: 0.015mm/mm

Chamfer: on 3mm Diameter and larger, Break edge below 3mm Diameter

From stock delivery

Special sizes and other materials are available, please ask
Customizing is available: grooves, journals, flats, drill
holes, thread + tapped holes, chamfers, special
diameters, special lengths

ondrives.us

☎ 1-888-260-7466

📄 516-771-6444

💻 sales@ondrivesus.com

🌐 www.ondrivesus.com