

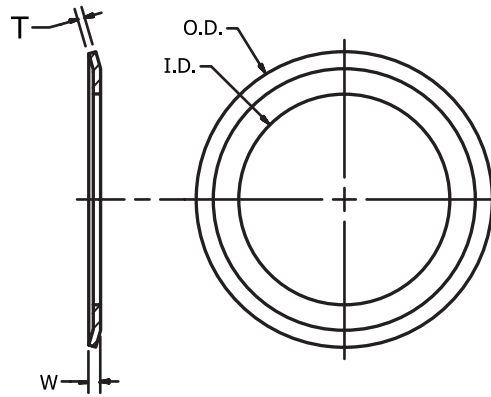
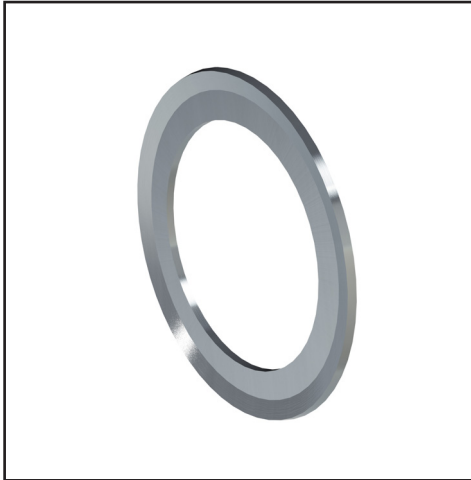
40DP

TIMING

40DP Pulley Flanges

.0816 Pitch (2.07 mm)

40DP



Part Number Aluminum	Pulley Grooves Ref.	Inside Diameter +/- .003	Outside Diameter +/- .016	Wall Thickness T	Width W +/- .010
40DP-FA-010	10	.188	.425	.025	.045
40DP-FA-011	11	.214	.450	.025	.045
40DP-FA-012	12	.218	.480	.025	.045
40DP-FA-013	13	.244	.505	.025	.045
40DP-FA-014	14	.270	.530	.025	.045
40DP-FA-015	15	.296	.555	.025	.045
40DP-FA-016	16	.322	.580	.025	.045
40DP-FA-018	18	.374	.635	.032	.052
40DP-FA-020	20	.426	.685	.032	.052
40DP-FA-021	21	.452	.710	.032	.052
40DP-FA-022	22	.452	.740	.032	.052
40DP-FA-024	24	.504	.790	.032	.052
40DP-FA-025	25	.530	.815	.032	.052
40DP-FA-026	26	.556	.840	.032	.052
40DP-FA-028	28	.574	.895	.032	.052
40DP-FA-030	30	.626	.945	.032	.052
40DP-FA-032	32	.678	1.000	.032	.052
40DP-FA-033	33	.704	1.025	.032	.052
40DP-FA-034	34	.722	1.050	.032	.052
40DP-FA-035	35	.748	1.080	.032	.052
40DP-FA-036	36	.774	1.105	.032	.052
40DP-FA-038	38	.826	1.155	.032	.052
40DP-FA-040	40	.874	1.210	.040	.060
40DP-FA-042	42	.926	1.260	.040	.060
40DP-FA-044	44	.978	1.315	.040	.060
40DP-FA-045	45	1.044	1.340	.040	.060
40DP-FA-048	48	1.058	1.420	.040	.060
40DP-FA-050	50	1.110	1.470	.040	.060
40DP-FA-054	54	1.200	1.575	.040	.060
40DP-FA-060	60	1.356	1.730	.040	.060

Sold in packs of 25 pieces

Materials
Aluminum

ondrives.us

☎ 1-888-260-7466
📄 516-771-6444

💻 sales@ondrivesus.com
🌐 www.ondrivesus.com

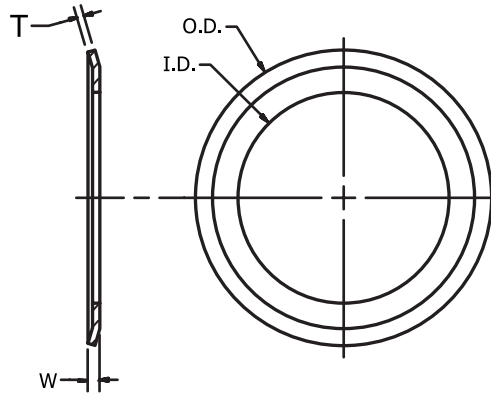
MXL

TIMING

MXL Pulley Flanges

.080 Pitch (2.03 mm)

MXL



Part Number Aluminum	Pulley Grooves Ref.	Inside Diameter +/- .003	Outside Diameter +/- .016	Wall Thickness T	Width W +/- .010
MXL-FA-010	10	.188	.425	.025	.045
MXL-FA-011	11	.214	.450	.025	.045
MXL-FA-012	12	.218	.480	.025	.045
MXL-FA-013	13	.244	.505	.025	.045
MXL-FA-014	14	.270	.530	.025	.045
MXL-FA-015	15	.296	.555	.025	.045
MXL-FA-016	16	.322	.580	.025	.045
MXL-FA-018	18	.374	.635	.032	.052
MXL-FA-020	20	.426	.685	.032	.052
MXL-FA-021	21	.452	.710	.032	.052
MXL-FA-022	22	.452	.740	.032	.052
MXL-FA-024	24	.504	.790	.032	.052
MXL-FA-025	25	.530	.815	.032	.052
MXL-FA-026	26	.556	.840	.032	.052
MXL-FA-028	28	.574	.895	.032	.052
MXL-FA-030	30	.626	.945	.032	.052
MXL-FA-032	32	.678	1.000	.032	.052
MXL-FA-033	33	.704	1.025	.032	.052
MXL-FA-034	34	.722	1.050	.032	.052
MXL-FA-035	35	.748	1.080	.032	.052
MXL-FA-036	36	.774	1.105	.032	.052
MXL-FA-038	38	.826	1.155	.032	.052
MXL-FA-040	40	.874	1.210	.040	.060
MXL-FA-042	42	.926	1.260	.040	.060
MXL-FA-044	44	.978	1.315	.040	.060
MXL-FA-045	45	1.044	1.340	.040	.060
MXL-FA-048	48	1.058	1.420	.040	.060
MXL-FA-050	50	1.110	1.470	.040	.060
MXL-FA-054	54	1.200	1.575	.040	.060
MXL-FA-060	60	1.356	1.730	.040	.060

Sold in packs of 25 pieces

Materials
Aluminum

ondrives.us

☎ 1-888-260-7466
📄 516-771-6444

💻 sales@ondrivesus.com
🌐 www.ondrivesus.com

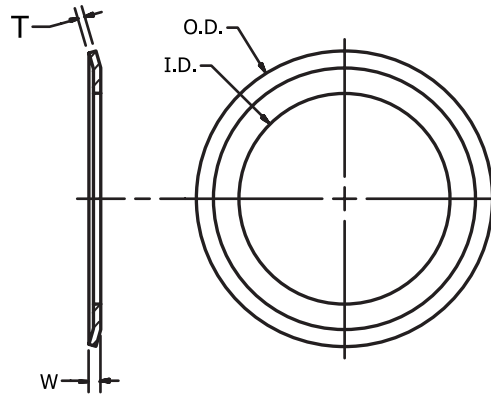
XL

TIMING

XL Pulley Flanges

1/5" Pitch (5.08 mm)

XL



Part Number Aluminum	Part Number Steel	Pulley Grooves Ref.	Inside Diameter +/- .003	Outside Diameter +/- .016	Wall Thickness T	Width W +/- .010
XL-FA-010	XL-FS-010	10	.503	.875	.040	.065
XL-FA-011	XL-FS-011	11	.562	.938	.040	.065
XL-FA-012	XL-FS-012	12	.562	1.000	.040	.065
XL-FA-013	XL-FS-013	13	.625	1.063	.040	.065
XL-FA-014	XL-FS-014	14	.684	1.094	.040	.065
XL-FA-015	XL-FS-015	15	.748	1.188	.040	.065
XL-FA-016	XL-FS-016	16	.810	1.250	.040	.065
XL-FA-017	XL-FS-017	17	.887	1.313	.040	.065
XL-FA-018	XL-FS-018	18	.936	1.375	.040	.065
XL-FA-019	XL-FS-019	19	1.000	1.438	.040	.065
XL-FA-020	XL-FS-020	20	1.062	1.500	.040	.065
XL-FA-021	XL-FS-021	21	1.125	1.563	.040	.065
XL-FA-022	XL-FS-022	22	1.160	1.625	.040	.065
XL-FA-023	XL-FS-023	23	1.160	1.688	.040	.065
XL-FA-024	XL-FS-024	24	1.222	1.750	.040	.065
XL-FA-025	XL-FS-025	25	1.250	1.813	.040	.065
XL-FA-026	XL-FS-026	26	1.347	1.875	.040	.065
XL-FA-028	XL-FS-028	28	1.425	2.000	.040	.065
XL-FA-030	XL-FS-030	30	1.550	2.125	.040	.065
XL-FA-032	XL-FS-032	32	1.675	2.250	.040	.065

Sold in packs of 25 pieces

Materials

Aluminum or Steel

ondrives.us

☎ 1-888-260-7466
📄 516-771-6444

💻 sales@ondrivesus.com
🌐 www.ondrivesus.com

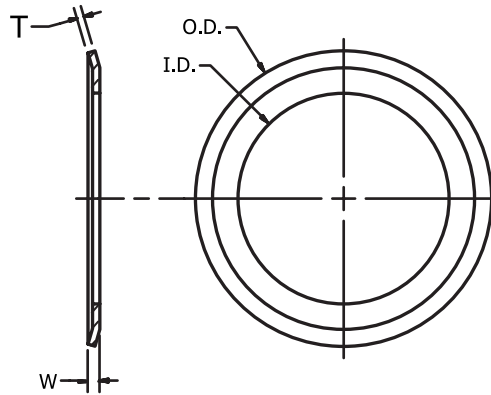
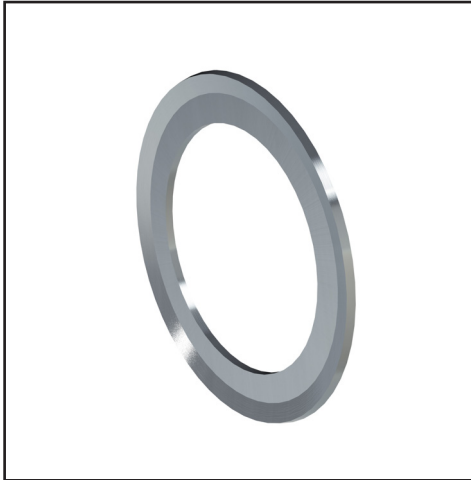
L

TIMING

L Pulley Flanges

3/8" Pitch (9.525 mm)

L



Part Number Aluminum	Part Number Steel	Pulley Grooves Ref.	Inside Diameter +/--.003	Outside Diameter +/--.016	Wall Thickness T	Width W +/--.010
L-FA-010	L-FS-010	10	.976	1.437	.055	.090
L-FA-011	L-FS-011	11	1.101	1.531	.055	.090
L-FA-012	L-FS-012	12	1.226	1.656	.055	.090
L-FA-013	L-FS-013	13	1.276	1.781	.055	.090
L-FA-014	L-FS-014	14	1.401	1.906	.055	.090
L-FA-015	L-FS-015	15	1.521	2.031	.055	.090
L-FA-016	L-FS-016	16	1.578	2.125	.055	.090
L-FA-017	L-FS-017	17	1.701	2.250	.055	.090
L-FA-018	L-FS-018	18	1.824	2.375	.055	.090
L-FA-019	L-FS-019	19	1.910	2.500	.055	.090
L-FA-020	L-FS-020	20	2.035	2.625	.055	.090
L-FA-021	L-FS-021	21	2.120	2.750	.055	.090
L-FA-022	L-FS-022	22	2.241	2.875	.055	.090
L-FA-024	L-FS-024	24	2.375	3.094	.055	.090

Sold in packs of 25 pieces

Materials

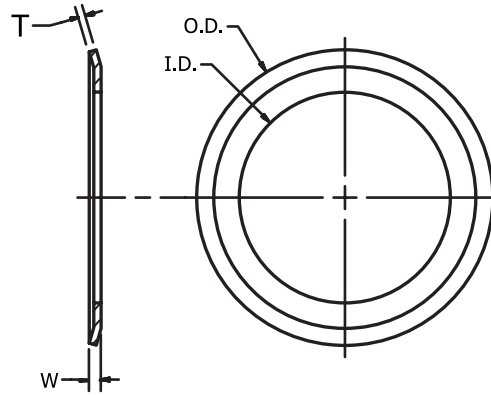
Aluminum or Steel

3HTD

TIMING

3HTD Pulley Flanges

3mm Pitch (.1181 inch)

3HTD

Part Number Aluminum	Part Number Steel	Pulley Grooves Ref.	Inside Diameter +/- .003	Outside Diameter +/- .016	Wall Thickness T	Width W +/- .010
3HTD-FA-010	3HTD-FS-010	10	.244	.505	.025	.045
3HTD-FA-011	3HTD-FS-011	11	.270	.530	.025	.045
3HTD-FA-012	3HTD-FS-012	12	.322	.580	.025	.045
3HTD-FA-013	3HTD-FS-013	13	.350	.610	.032	.052
3HTD-FA-014	3HTD-FS-014	14	.374	.635	.032	.052
3HTD-FA-015	3HTD-FS-015	15	.426	.685	.032	.052
3HTD-FA-016	3HTD-FS-016	16	.452	.710	.032	.052
3HTD-FA-017	3HTD-FS-017	17	.452	.740	.032	.052
3HTD-FA-018	3HTD-FS-018	18	.504	.790	.032	.052
3HTD-FA-019	3HTD-FS-019	19	.530	.815	.032	.052
3HTD-FA-020	3HTD-FS-020	20	.574	.895	.032	.052
3HTD-FA-022	3HTD-FS-022	22	.626	.945	.032	.052
3HTD-FA-024	3HTD-FS-024	24	.704	1.025	.032	.052
3HTD-FA-025	3HTD-FS-025	25	.738	1.060	.032	.052
3HTD-FA-026	3HTD-FS-026	26	.774	1.105	.032	.052
3HTD-FA-028	3HTD-FS-028	28	.849	1.173	.032	.052
3HTD-FA-030	3HTD-FS-030	30	.924	1.250	.032	.052
3HTD-FA-032	3HTD-FS-032	32	.999	1.323	.032	.052
3HTD-FA-034	3HTD-FS-034	34	1.074	1.398	.040	.060
3HTD-FA-036	3HTD-FS-036	36	1.149	1.473	.040	.060
3HTD-FA-038	3HTD-FS-038	38	1.225	1.549	.040	.060
3HTD-FA-040	3HTD-FS-040	40	1.300	1.625	.040	.060
3HTD-FA-044	3HTD-FS-044	44	1.450	1.775	.040	.060

Sold in packs of 25 pieces

Materials

Aluminum or Steel

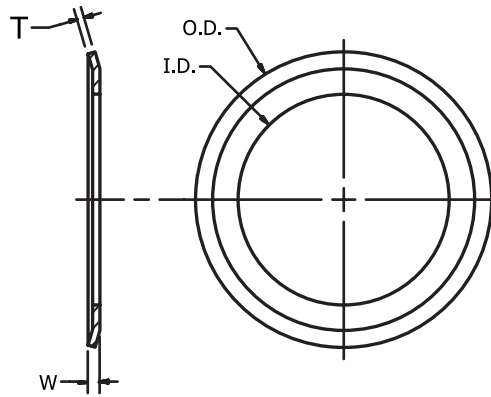
5HTD

TIMING

5HTD Pulley Flanges

5mm Pitch (.1968 inch)

5HTD



Part Number Aluminum	Part Number Steel	Pulley Grooves Ref.	Inside Diameter +/- .003	Outside Diameter +/- .016	Wall Thickness T	Width W +/- .010
5HTD-FA-012	5HTD-FS-012	12	.503	.875	.040	.065
5HTD-FA-013	5HTD-FS-013	13	.562	.938	.040	.065
5HTD-FA-014	5HTD-FS-014	14	.562	1.000	.040	.065
5HTD-FA-015	5HTD-FS-015	15	.625	1.063	.040	.065
5HTD-FA-016	5HTD-FS-016	16	.684	1.094	.040	.065
5HTD-FA-017	5HTD-FS-017	17	.748	1.188	.040	.065
5HTD-FA-018	5HTD-FS-018	18	.810	1.250	.040	.065
5HTD-FA-019	5HTD-FS-019	19	.887	1.313	.040	.065
5HTD-FA-020	5HTD-FS-020	20	.936	1.375	.040	.065
5HTD-FA-021	5HTD-FS-021	21	1.000	1.438	.040	.065
5HTD-FA-022	5HTD-FS-022	22	1.062	1.500	.040	.065
5HTD-FA-023	5HTD-FS-023	23	1.125	1.563	.040	.065
5HTD-FA-024	5HTD-FS-024	24	1.160	1.625	.040	.065
5HTD-FA-025	5HTD-FS-025	25	1.222	1.688	.040	.065
5HTD-FA-026	5HTD-FS-026	26	1.222	1.750	.040	.065
5HTD-FA-028	5HTD-FS-028	28	1.347	1.875	.040	.065
5HTD-FA-030	5HTD-FS-030	30	1.425	2.000	.040	.065
5HTD-FA-032	5HTD-FS-032	32	1.550	2.125	.040	.065
5HTD-FA-034	5HTD-FS-034	34	1.675	2.250	.040	.065

Sold in packs of 25 pieces

Materials

Aluminum or Steel

ondrives.us

☎ 1-888-260-7466

📄 516-771-6444

💻 sales@ondrivesus.com

🌐 www.ondrivesus.com

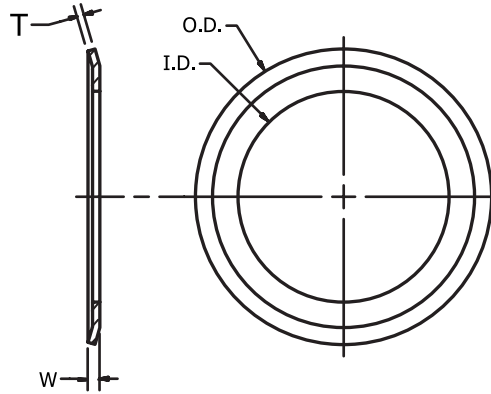
2GT

TIMING

GT®2 Pulley Flanges

2mm Pitch (.0787 inch)

2GT



Part Number Aluminum	Pulley Grooves Ref.	Inside Diameter +/- .003	Outside Diameter +/- .016	Wall Thickness T	Width W +/- .010
2GT-FA-010	10	.188	.425	.025	.045
2GT-FA-011	11	.214	.450	.025	.045
2GT-FA-012	12	.218	.480	.025	.045
2GT-FA-013	13	.244	.505	.025	.045
2GT-FA-014	14	.270	.530	.025	.045
2GT-FA-015	15	.296	.555	.025	.045
2GT-FA-016	16	.322	.580	.025	.045
2GT-FA-018	18	.374	.635	.032	.052
2GT-FA-020	20	.426	.685	.032	.052
2GT-FA-021	21	.452	.710	.032	.052
2GT-FA-022	22	.452	.740	.032	.052
2GT-FA-024	24	.504	.790	.032	.052
2GT-FA-025	25	.530	.815	.032	.052
2GT-FA-026	26	.556	.840	.032	.052
2GT-FA-028	28	.574	.895	.032	.052
2GT-FA-030	30	.626	.945	.032	.052
2GT-FA-032	32	.678	1.000	.032	.052
2GT-FA-033	33	.704	1.025	.032	.052
2GT-FA-034	34	.722	1.050	.032	.052
2GT-FA-035	35	.748	1.080	.032	.052
2GT-FA-036	36	.774	1.105	.032	.052
2GT-FA-038	38	.826	1.155	.032	.052
2GT-FA-040	40	.874	1.210	.040	.060
2GT-FA-042	42	.926	1.260	.040	.060
2GT-FA-044	44	.978	1.315	.040	.060
2GT-FA-045	45	1.044	1.340	.040	.060
2GT-FA-048	48	1.058	1.420	.040	.060
2GT-FA-050	50	1.110	1.470	.040	.060
2GT-FA-054	54	1.200	1.575	.040	.060
2GT-FA-060	60	1.356	1.730	.040	.060

Sold in packs of 25 pieces

Materials
Aluminum

ondrives.us

☎ 1-888-260-7466
📄 516-771-6444

💻 sales@ondrivesus.com
🌐 www.ondrivesus.com

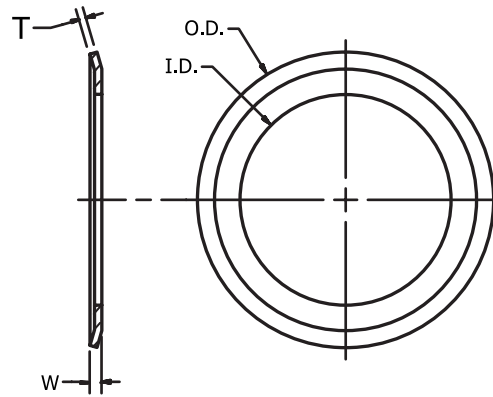
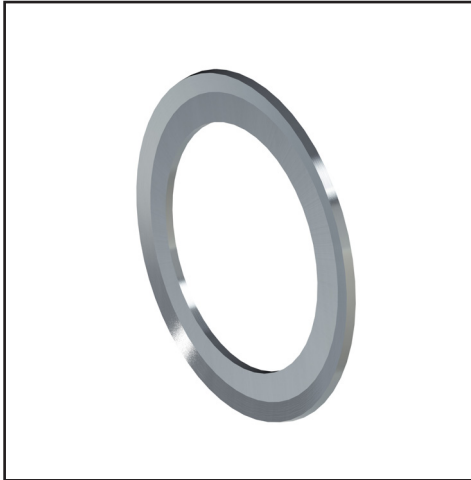
3GT

TIMING

GT®2 Pulley Flanges

3mm Pitch (.1181 inch)

3GT



Part Number Aluminum	Pulley Grooves Ref.	Inside Diameter +/- .003	Outside Diameter +/- .016	Wall Thickness T	Width W +/- .010
3GT-FA-010	10	.244	.505	.025	.045
3GT-FA-011	11	.270	.530	.025	.045
3GT-FA-012	12	.322	.580	.025	.045
3GT-FA-013	13	.350	.610	.032	.052
3GT-FA-014	14	.374	.635	.032	.052
3GT-FA-015	15	.426	.685	.032	.052
3GT-FA-016	16	.452	.710	.032	.052
3GT-FA-017	17	.452	.740	.032	.052
3GT-FA-018	18	.504	.790	.032	.052
3GT-FA-019	19	.530	.815	.032	.052
3GT-FA-020	20	.574	.895	.032	.052
3GT-FA-022	22	.626	.945	.032	.052
3GT-FA-024	24	.704	1.025	.032	.052
3GT-FA-025	25	.738	1.060	.032	.052
3GT-FA-026	26	.774	1.105	.032	.052
3GT-FA-028	28	.849	1.173	.032	.052
3GT-FA-030	30	.924	1.250	.032	.052
3GT-FA-032	32	.999	1.323	.032	.052
3GT-FA-034	34	1.074	1.398	.040	.060
3GT-FA-036	36	1.149	1.473	.040	.060
3GT-FA-038	38	1.225	1.549	.040	.060
3GT-FA-040	40	1.300	1.625	.040	.060
3GT-FA-044	44	1.450	1.775	.040	.060

Sold in packs of 25 pieces

Materials
Aluminum

ondrives.us

☎ 1-888-260-7466
📄 516-771-6444

💻 sales@ondrivesus.com
🌐 www.ondrivesus.com

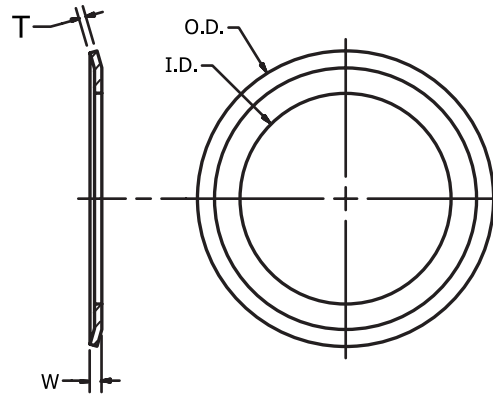
5GT

TIMING

GT®2 Pulley Flanges

5mm Pitch (.1968 inch)

5GT



Part Number Aluminum	Part Number Steel	Pulley Grooves Ref.	Inside Diameter +/- .003	Outside Diameter +/- .016	Wall Thickness T	Width W +/- .010
5GT-FA-012	5GT-FS-012	12	.503	.875	.040	.065
5GT-FA-013	5GT-FS-013	13	.562	.938	.040	.065
5GT-FA-014	5GT-FS-014	14	.562	1.000	.040	.065
5GT-FA-015	5GT-FS-015	15	.625	1.063	.040	.065
5GT-FA-016	5GT-FS-016	16	.684	1.094	.040	.065
5GT-FA-017	5GT-FS-017	17	.748	1.188	.040	.065
5GT-FA-018	5GT-FS-018	18	.810	1.250	.040	.065
5GT-FA-019	5GT-FS-019	19	.887	1.313	.040	.065
5GT-FA-020	5GT-FS-020	20	.936	1.375	.040	.065
5GT-FA-021	5GT-FS-021	21	1.000	1.438	.040	.065
5GT-FA-022	5GT-FS-022	22	1.062	1.500	.040	.065
5GT-FA-023	5GT-FS-023	23	1.125	1.563	.040	.065
5GT-FA-024	5GT-FS-024	24	1.160	1.625	.040	.065
5GT-FA-025	5GT-FS-025	25	1.222	1.688	.040	.065
5GT-FA-026	5GT-FS-026	26	1.222	1.750	.040	.065
5GT-FA-028	5GT-FS-028	28	1.347	1.875	.040	.065
5GT-FA-030	5GT-FS-030	30	1.425	2.000	.040	.065
5GT-FA-032	5GT-FS-032	32	1.550	2.125	.040	.065
5GT-FA-034	5GT-FS-034	34	1.675	2.250	.040	.065

Sold in packs of 25 pieces

Materials

Aluminum or Steel

ondrives.us

☎ 1-888-260-7466
📄 516-771-6444

💻 sales@ondrivesus.com
🌐 www.ondrivesus.com