

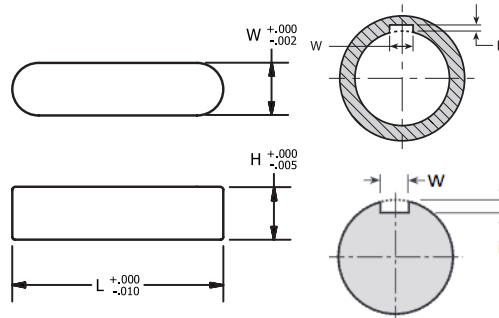
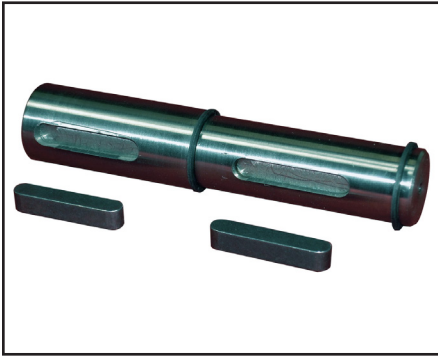
KK

# COMPONENTS

KK

## Feather Keys

Superior to all other Keys  
Inch- Steel + 316 Stainless



- Easy production assembly over other keys
- Stays in place, cannot slip out
- Quick, hassle free field replacement
- No set screw to tighten
- Use with existing components
- Inch and metric Feather keys
- Same torque as similar sized square and rectangular keys

The Feather key is similar to the parallel key except that they are radiused on both ends and machined to tight length tolerances. The mating key slot in the shaft is machined with an end mill cutting tool and machined to the same length as the Feather key.

Inch - Steel C45 Class 1 Clearance Fit					
Part Number	+0.000 -.002 W	+0.000 -.005 H	+0.000 -.010 L	h	p
KK125-500	0.125	0.125	0.500	0.060	0.070
KK125-750	0.125	0.125	0.750	0.060	0.070
KK125-1000	0.125	0.125	1.000	0.060	0.070
KK125-1250	0.125	0.125	1.250	0.060	0.070
KK125-1500	0.125	0.125	1.500	0.060	0.070
KK125-1750	0.125	0.125	1.750	0.060	0.070
KK125-2000	0.125	0.125	2.000	0.060	0.070
KK187-500	0.187	0.187	0.500	0.086	0.106
KK187-750	0.187	0.187	0.750	0.086	0.106
KK187-875	0.187	0.187	0.875	0.086	0.106
KK187-1000	0.187	0.187	1.000	0.086	0.106
KK187-1250	0.187	0.187	1.250	0.086	0.106
KK187-1500	0.187	0.187	1.500	0.086	0.106
KK187-1750	0.187	0.187	1.750	0.086	0.106
KK187-2000	0.187	0.187	2.000	0.086	0.106
KK187-2250	0.187	0.187	2.250	0.086	0.106
KK187-2500	0.187	0.187	2.500	0.086	0.106
KK250-500	0.250	0.250	0.500	0.115	0.140
KK250-750	0.250	0.250	0.750	0.115	0.140
KK250-1000	0.250	0.250	1.000	0.115	0.140
KK250-1250	0.250	0.250	1.250	0.115	0.140
KK250-1500	0.250	0.250	1.500	0.115	0.140
KK250-1750	0.250	0.250	1.750	0.115	0.140
KK250-2000	0.250	0.250	2.000	0.115	0.140
KK250-2250	0.250	0.250	2.250	0.115	0.140
KK250-2500	0.250	0.250	2.500	0.115	0.140
KK250-2750	0.250	0.250	2.750	0.115	0.140

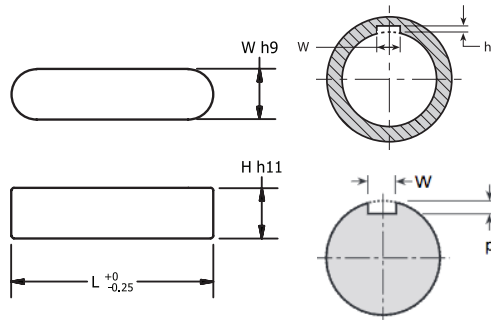
Inch - 316 Stainless Steel					
Part Number	+0.000 -.002 W	+0.000 -.005 H	+0.000 -.010 L	h	p
KK125-500SS	0.125	0.125	0.500	0.060	0.070
KK125-750SS	0.125	0.125	0.750	0.060	0.070
KK125-1000SS	0.125	0.125	1.000	0.060	0.070
KK125-1250SS	0.125	0.125	1.250	0.060	0.070
KK125-1500SS	0.125	0.125	1.500	0.060	0.070
KK125-1750SS	0.125	0.125	1.750	0.060	0.070
KK125-2000SS	0.125	0.125	2.000	0.060	0.070
KK187-500SS	0.187	0.187	0.500	0.086	0.106
KK187-750SS	0.187	0.187	0.750	0.086	0.106
KK187-875SS	0.187	0.187	0.875	0.086	0.106
KK187-1000SS	0.187	0.187	1.000	0.086	0.106
KK187-1250SS	0.187	0.187	1.250	0.086	0.106
KK187-1500SS	0.187	0.187	1.500	0.086	0.106
KK187-1750SS	0.187	0.187	1.750	0.086	0.106
KK187-2000SS	0.187	0.187	2.000	0.086	0.106
KK187-2250SS	0.187	0.187	2.250	0.086	0.106
KK187-2500SS	0.187	0.187	2.500	0.086	0.106
KK250-500SS	0.250	0.250	0.500	0.115	0.140
KK250-750SS	0.250	0.250	0.750	0.115	0.140
KK250-1000SS	0.250	0.250	1.000	0.115	0.140
KK250-1250SS	0.250	0.250	1.250	0.115	0.140
KK250-1500SS	0.250	0.250	1.500	0.115	0.140
KK250-1750SS	0.250	0.250	1.750	0.115	0.140
KK250-2000SS	0.250	0.250	2.000	0.115	0.140
KK250-2250SS	0.250	0.250	2.250	0.115	0.140
KK250-2500SS	0.250	0.250	2.500	0.115	0.140
KK250-2750SS	0.250	0.250	2.750	0.115	0.140

Class 1 fit per ANSI B17.1-1967 (R2003)

# COMPONENTS

## Feather Keys

Superior to all other Keys  
Metric - Steel + 316 Stainless



- Easy production assembly over other keys
- Stays in place, cannot slip out
- Quick, hassle free field replacement
- No set screw to tighten
- Use with existing components
- Inch and metric Feather keys
- Same torque as similar sized square and rectangular keys

The Feather key is similar to the parallel key except that they are radiused on both ends and machined to tight length tolerances. The mating key slot in the shaft is machined with an end mill cutting tool and machined to the same length as the Feather key.

Metric - Steel C45					
Part Number	h9 W	h11 H	+0.000 -.025 L	h	p
KK2-10	2	2	10	1.0	1.2
KK2-14	2	2	14	1.0	1.2
KK2-20	2	2	20	1.0	1.2
KK2-22	2	2	22	1.0	1.2
KK3-8	3	3	8	1.4	1.8
KK3-10	3	3	10	1.4	1.8
KK3-12	3	3	12	1.4	1.8
KK3-15	3	3	15	1.4	1.8
KK3-20	3	3	20	1.4	1.8
KK3-30	3	3	30	1.4	1.8
KK3-40	3	3	40	1.4	1.8
KK4-8	4	4	8	1.8	2.5
KK4-10	4	4	10	1.8	2.5
KK4-12	4	4	12	1.8	2.5
KK4-15	4	4	15	1.8	2.5
KK4-16	4	4	16	1.8	2.5
KK4-20	4	4	20	1.8	2.5
KK4-25	4	4	25	1.8	2.5
KK5-10	5	5	10	2.3	3.0
KK5-12	5	5	12	2.3	3.0
KK5-14	5	5	14	2.3	3.0
KK5-16	5	5	16	2.3	3.0
KK5-18	5	5	18	2.3	3.0
KK5-20	5	5	20	2.3	3.0
KK5-25	5	5	25	2.3	3.0
KK5-30	5	5	30	2.3	3.0
KK5-35	5	5	35	2.3	3.0
KK5-40	5	5	40	2.3	3.0
KK5-45	5	5	45	2.3	3.0
KK5-50	5	5	50	2.3	3.0
KK6-12	6	6	12	2.8	3.5
KK6-14	6	6	14	2.8	3.5

Metric - Steel C45					
Part Number	h9 W	h11 H	+0.000 -.025 L	h	p
KK6-16	6	6	16	2.8	3.5
KK6-18	6	6	18	2.8	3.5
KK6-20	6	6	20	2.8	3.5
KK6-25	6	6	25	2.8	3.5
KK6-28	6	6	28	2.8	3.5
KK6-30	6	6	30	2.8	3.5
KK6-32	6	6	32	2.8	3.5
KK6-45	6	6	45	2.8	3.5
KK6-50	6	6	50	2.8	3.5
KK8-7-18	8	7	18	3.3	4.0
KK8-7-20	8	7	20	3.3	4.0
KK8-7-22	8	7	22	3.3	4.0
KK8-7-25	8	7	25	3.3	4.0
KK8-7-30	8	7	30	3.3	4.0
KK8-7-40	8	7	40	3.3	4.0
KK8-7-50	8	7	50	3.3	4.0
KK10-8-20	10	8	20	3.3	5.0
KK10-8-28	10	8	28	3.3	5.0
KK10-8-30	10	8	30	3.3	5.0
KK10-8-36	10	8	36	3.3	5.0
KK10-8-40	10	8	40	3.3	5.0
KK10-8-45	10	8	45	3.3	5.0
KK10-8-50	10	8	50	3.3	5.0
KK12-8-36	12	8	36	3.3	5.0
KK12-8-40	12	8	40	3.3	5.0
KK12-8-45	12	8	45	3.3	5.0
KK12-8-50	12	8	50	3.3	5.0
KK12-8-56	12	8	56	3.3	5.0
KK12-8-60	12	8	60	3.3	5.0
KK14-9-50	14	9	50	3.8	5.5
KK14-9-70	14	9	70	3.8	5.5

Metric - 316 Stainless Steel					
Part Number	h9 W	h11 H	+0.000 -.025 L	h	p
KK2-20SS	2	2	20	1.0	1.2
KK3-10SS	3	3	10	1.4	1.8
KK3-20SS	3	3	20	1.4	1.8
KK4-10SS	4	4	10	1.8	2.5
KK4-18SS	4	4	18	1.8	2.5
KK4-20SS	4	4	20	1.8	2.5
KK4-25SS	4	4	25	1.8	2.5
KK5-10SS	5	5	10	2.3	3.0
KK5-20SS	5	5	20	2.3	3.0
KK5-25SS	5	5	25	2.3	3.0
KK5-30SS	5	5	30	2.3	3.0
KK6-10SS	6	6	10	2.8	3.5
KK6-20SS	6	6	20	2.8	3.5
KK6-25SS	6	6	25	2.8	3.5
KK6-30SS	6	6	30	2.8	3.5
KK8-7-20SS	8	7	20	3.3	4.0
KK8-7-25SS	8	7	25	3.3	4.0
KK8-7-30SS	8	7	30	3.3	4.0
KK8-7-35SS	8	7	35	3.3	4.0
KK10-8-20SS	10	8	20	3.3	5.0
KK10-8-25SS	10	8	25	3.3	5.0
KK10-8-30SS	10	8	30	3.3	5.0
KK10-8-35SS	10	8	35	3.3	5.0
KK12-8-20SS	12	8	20	3.3	5.0
KK12-8-25SS	12	8	25	3.3	5.0
KK12-8-30SS	12	8	30	3.3	5.0
KK12-8-35SS	12	8	35	3.3	5.0