

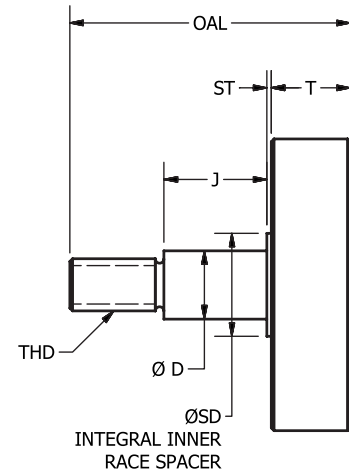
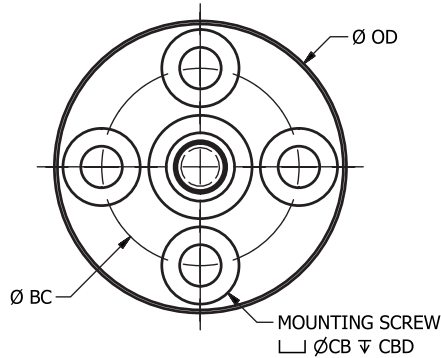
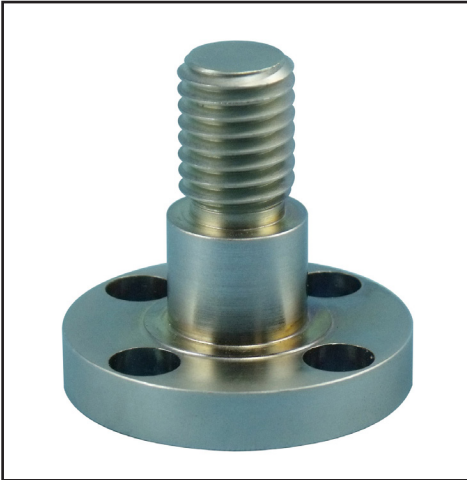
FMC

COMPONENTS

FMC

Flange Mount Support

For Bearings - Gears - Pulleys
Inch



Part Number	D	J	OD	T	THD	OAL	BC	CB	CBD	Mounting Cap Screw	SD	ST
	Journal Dia.	Journal Length	Overall Dia.	Flange Thickness	Thread	Overall Length	Mounting Bolt Circle	Counterbore Dia.	Counterbore Depth		Spacer Dia.	Spacer Thickness
FMC-250	0.250	0.375	1.062	0.281	#10-24	1.016	0.719	0.281	0.138	#6	0.375	0.016
FMC-375	0.375	0.437	1.250	0.281	5/16-18	1.188	0.906	0.281	0.138	#6	0.562	0.016
FMC-500	0.500	0.625	1.438	0.281	7/16-14	1.484	1.094	0.281	0.138	#6	0.750	0.016
FMC-625	0.625	0.625	1.625	0.313	1/2-13	1.656	1.250	0.313	0.164	#8	0.875	0.016
FMC-750	0.750	0.625	1.875	0.344	5/8-11	1.844	1.438	0.375	0.190	#10	1.000	0.016
FMC-1000	1.000	0.625	2.250	0.406	7/8-9	2.141	1.750	0.438	0.250	0.25	1.250	0.016

Materials

Mount: 1215 Steel, Zinc Plated
Lock Nut: Zinc Plated Steel, Nylon Lock
Shim Spacers: Stainless Steel

Lock nut and 3 sizes of shim spacers supplied.

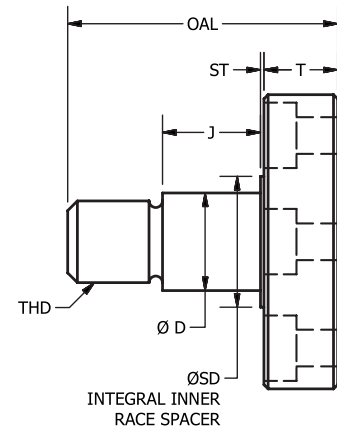
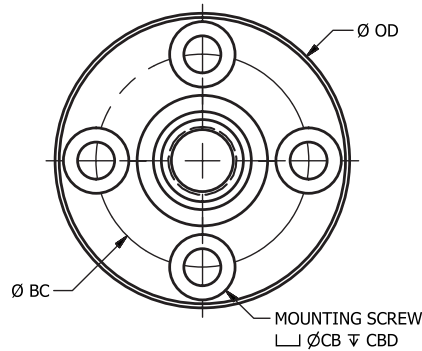
FMC-M

COMPONENTS

FMC-M

Flange Mount Support

For Bearings - Gears - Pulleys
Metric



Part Number	D	J	OD	T	THD	OAL	BC	CB	CBD	Mounting Cap Screw	SD	ST
	Journal Dia.	Journal Length	Overall Dia.	Flange Thickness	Thread	Overall Length	Mounting Bolt Circle	Counterbore Dia.	Counterbore Depth		Spacer Dia.	Spacer Thickness
FMC-06M	6	7	25	7	M5x0.8	21	17	6.5	3	M3	9	0.4
FMC-08M	8	9	28	7	M6x1	24	20	6.5	3	M3	12	0.4
FMC-10M	10	11	30	7	M8x1.25	28	22	6.5	3	M3	14	0.4
FMC-12M	12	12	36	9	M10x1.5	33	26	8	4	M4	16	0.4
FMC-15M	15	13	42	10	M12x1.75	39	30	10	5	M5	19	0.4
FMC-20M	20	15	50	11	M18x2.5	46	36	11	6	M6	24	0.4

Units are in millimeters

Materials

Mount: 1215 Steel, Zinc Plated
Lock Nut: Zinc Plated Steel, Nylon Lock
Shim Spacers: Stainless Steel

Lock nut and 3 sizes of shim spacers supplied.