

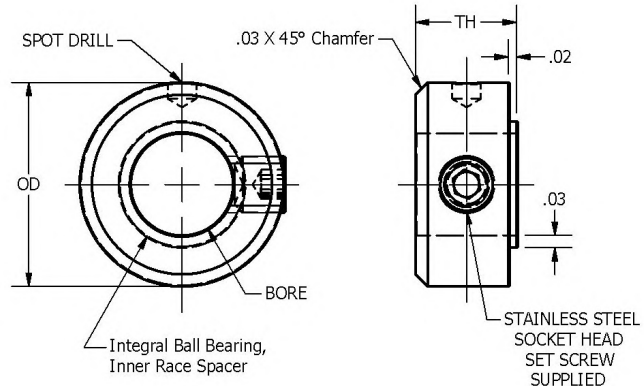
CR5

# COMPONENTS

CR5

## Precision Screw Type Shaft Collar

Integral Ball Bearing Inner Race Spacer - Inch and Metric versions



### Tolerances

.XX ±.016

.XXX ±.005

BORE +.0005

### Material

Stainless Steel 303

### Finish

Clear Passivate

Part Number	Bore	OD	TH	Spot	Screw
CR5-0712.0779 S	.0779	.218	.120	.015	0-80
CR5-0812.0935 S	.0935	.250	.120	.015	0-80
CR5-1018.1182 S	3.003mm	.313	.180	.028	2-56
CR5-1018.1200 S	.1200	.313	.180	.028	2-56
CR5-1018.1248 S	.1248	.313	.180	.028	2-56
CR5-1018.1560 S	.1560	.313	.180	.028	2-56
CR5-1018.1576 S	4.003mm	.313	.180	.028	2-56
CR5-1222.1873 S	.1873	.375	.220	.040	4-40
CR5-1222.1970 S	5.003mm	.375	.220	.040	4-40
CR5-1625.2363 S	6.003mm	.50	.25	.070	6-32
CR5-1625.2405 S	.2405	.50	.25	.070	6-32
CR5-1625.2498 S	.2498	.50	.25	.070	6-32
CR5-1625.2757 S	7.003mm	.50	.25	.070	6-32
CR5-1828.3123 S	.3123	.56	.280	.070	6-32
CR5-1828.3151 S	8.003mm	.56	.280	.070	6-32
CR5-2437.3748 S	.3748	.75	.375	.120	10-32
CR5-2437.3938 S	10.003mm	.75	.375	.120	10-32
CR5-3243.4726 S	12.003mm	1.00	.437	.149	1/4-20
CR5-3243.4998 S	.4998	1.00	.437	.149	1/4-20
CR5-4050.5904 S	14.995mm	1.25	.500	.149	1/4-20
CR5-4050.6248 S	.6248	1.25	.500	.149	1/4-20
CR5-4050.6300 S	16.003mm	1.25	.500	.149	1/4-20
CR5-4856.7481 S	19.003mm	1.50	.562	.157	3/8-16
CR5-4856.7498 S	.7498	1.50	.562	.157	3/8-16
CR5-4856.7892 S	19.995mm	1.50	.562	.157	3/8-16
CR5-6462.9998 S	.9998	2.00	.625	.157	3/8-16