

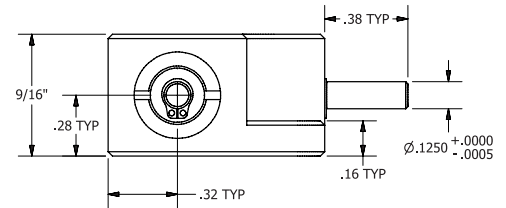
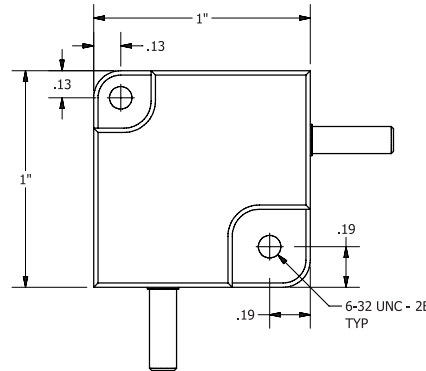
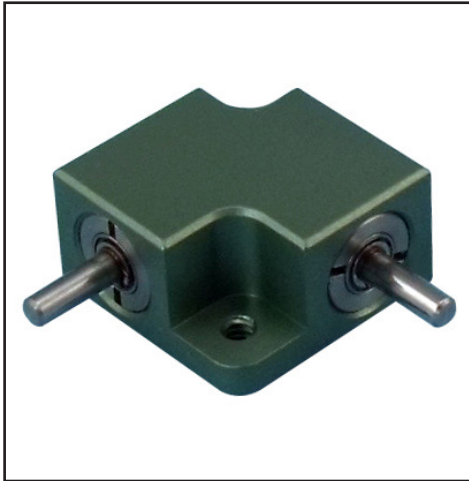
**BG16**

# GEARBOXES

**BG16**

## 1:1 Gearboxes

Uniquely rated so you can balance Torque to RPM to Life



### BGH16-1

LIFETIME (hrs) as a FUNCTION of RPM & TORQUE						
Torque	RPM					
In-oz	50	100	200	500	1000	2000
4	20,000	20,000	20,000	20,000	20,000	11,700
4.5	20,000	20,000	20,000	9,100	4,000	1,700
5	20,000	9,500	4,500	1,650	790	370
5.5	9,500	4,700	2,300	880	420	190
6	5,250	2,500	1,250	480	230	100
6.5	3,100	1,500	750	280	130	60
7	940	940	450	170	80	40

2,000 RPM Maximum  
Standard Backlash of 1°

### Torque from 4 to 7 inch\*ounces

Application rated for optimum operation and cost  
You can balance Torque to RPM and Operating Life  
Backlash 1°, with option of 1/2°

Weight of only 0.07 lb.

RPM to 2,000

Temp range -5° F to +175° F, optional to -40° F

Made in USA with American CNC machines

### Materials

416 Stainless Steel Shafts  
Anodized Aluminum Housing  
Sealed Steel Ball Bearings  
Greased for life: Shell Alvania EP2. Cold temp. grease optional

### Additional Information

Calculations are based on an application factor of 1.25. They apply to a medium impact drive turning a uniform load or a uniform drive turning a moderate impact load. Life Time figures shown are for guidance only. Testing in your application is required. You will need to assess duty cycles and confirm suitability with your own calculations.

**Exclusive 24 Month Warranty!**

**See our website for CAD files**

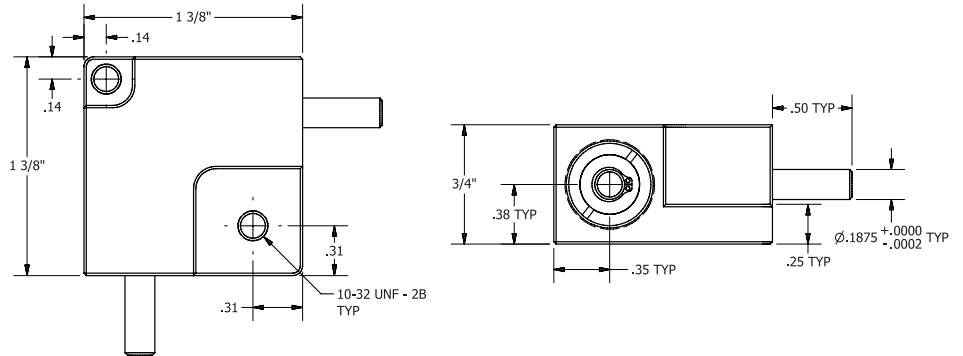
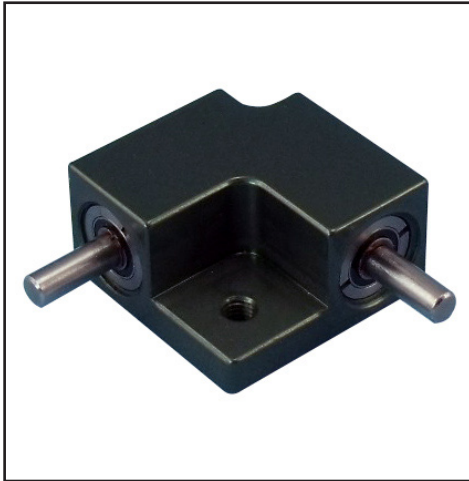
**BG19**

# GEARBOXES

**BG19**

## 1:1 Gearboxes

Uniquely rated so you can balance Torque to RPM to Life



### BGH19-1

LIFETIME (hrs) as a FUNCTION of RPM & TORQUE						
Torque	RPM					
	50	100	200	500	1000	2000
<b>17</b>	20,000	20,000	20,000	20,000	20,000	10,000
<b>18</b>	20,000	20,000	20,000	20,000	11,000	4,500
<b>19</b>	20,000	20,000	20,000	10,000	4,500	1,900
<b>20</b>	20,000	20,000	12,000	4,500	2,000	800
<b>21</b>	20,000	10,000	5,500	1,900	900	400
<b>22</b>	14,000	7,000	3,300	1,300	620	280
<b>23</b>	10,500	5,000	2,500	950	450	220

2,000 RPM Maximum  
Standard Backlash of 1°

### Additional Information

Calculations are based on an application factor of 1.25. They apply to a medium impact drive turning a uniform load or a uniform drive turning a moderate impact load. Life Time figures shown are for guidance only. Testing in your application is required. You will need to assess duty cycles and confirm suitability with your own calculations.

### BGSH19-1 + BGSH19-1A (Low Backlash)

LIFETIME (hrs) as a FUNCTION of RPM & TORQUE							
Torque	RPM						
	50	100	200	500	1000	2000	3000
<b>40</b>	20,000	20,000	20,000	20,000	20,000	20,000	20,000
<b>45</b>	20,000	20,000	20,000	20,000	20,000	12,000	7,000
<b>50</b>	20,000	20,000	20,000	12,000	5,000	2,200	1,250
<b>55</b>	20,000	15,500	6,500	2,500	1,100	450	270
<b>60</b>	12,000	6,000	2,800	1,100	500	230	150
<b>65</b>	7,100	3,500	1,700	650	310	145	90
<b>70</b>	4,400	2,180	1,050	400	180	87	55

3,000 RPM Maximum  
Standard Backlash of 1° 1/2° Backlash Available

### Torque from 17 to 70 inch\*ounces

**Application rated for optimum operation and cost**  
**You can balance Torque to RPM and Operating Life**  
**Backlash 1°, with option of 1/2°**

**Weight of only 0.16 lb.**

**RPM to 3,000**

**Temp range -5° F to +175° F, -40° F grease optional**

**Made in USA with American CNC machines**

### Materials

303 Stainless Steel Shafts  
Anodized Aluminum Housing  
Sealed Steel Ball Bearings  
Greased for life: Shell Alvania EP2. Cold temp. grease optional

**Exclusive 24 Month Warranty!**

**See our website for CAD files**

**ondrives.us**

☎ 1-888-260-7466

📄 516-771-6444

💻 sales@ondrivesus.com

🌐 www.ondrivesus.com

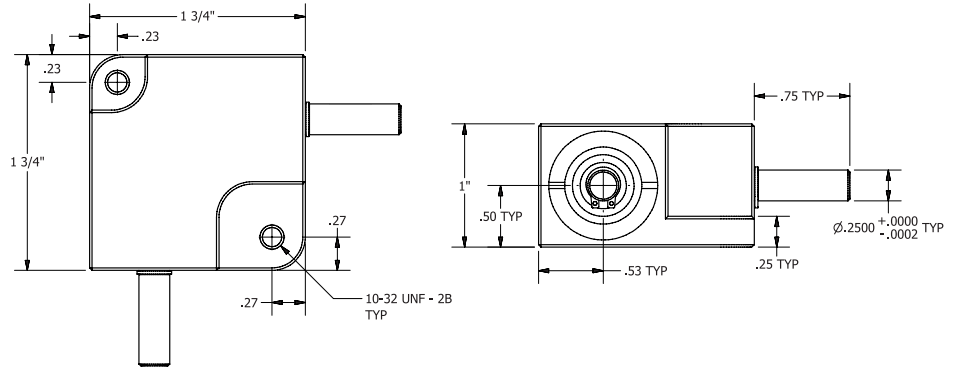
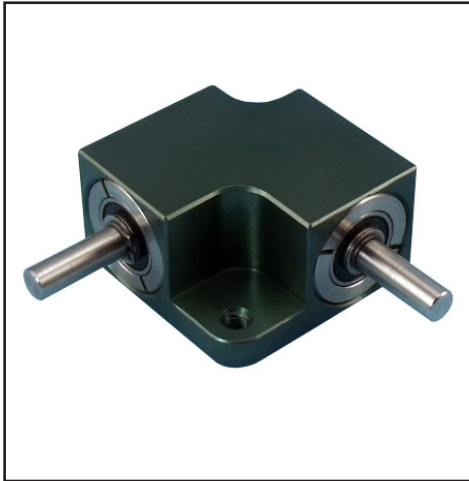
**BG24**

# GEARBOXES

**BG24**

## 1:1 Gearboxes

Uniquely rated so you can balance Torque to RPM to Life



### BGH24-1

LIFETIME (hrs) as a FUNCTION of RPM & TORQUE						
Torque	RPM					
In-lb	50	100	200	500	1000	2000
<b>6</b>	20,000	20,000	20,000	20,000	20,000	20,000
<b>7</b>	20,000	20,000	20,000	20,000	20,000	16,000
<b>8</b>	20,000	20,000	20,000	10,500	4,500	1,800
<b>9</b>	20,000	10,000	4,600	1,650	750	340
<b>10</b>	9,100	4,500	2,150	810	480	175
<b>11</b>	4,900	2,400	1,200	430	200	90
<b>12</b>	2,700	1,330	640	240	110	50

2,000 RPM Maximum

#### Additional Information

Calculations are based on an application factor of 1.25. They apply to a medium impact drive turning a uniform load or a uniform drive turning a moderate impact load. Life Time figures shown are for guidance only. Testing in your application is required. You will need to assess duty cycles and confirm suitability with your own calculations.

### BGSH24-1 + BGSH24-1A (Low Backlash)

LIFETIME (hrs) as a FUNCTION of RPM & TORQUE							
Torque	RPM						
In-lb	50	100	200	500	1000	2000	3000
<b>15</b>	20,000	20,000	20,000	20,000	20,000	20,000	14,300
<b>16</b>	20,000	20,000	20,000	20,000	20,000	9,000	5,000
<b>17</b>	20,000	20,000	20,000	20,000	8,600	3,300	1,860
<b>18</b>	20,000	20,000	20,000	8,200	3,400	1,320	730
<b>19</b>	20,000	20,000	10,000	3,400	1,400	550	305

3,000 RPM Maximum

Standard Backlash of 1° 1/2° Backlash Available

#### Torque from 6 to 19 inch\* pounds

**Application rated for optimum operation and cost**

**You can balance Torque to RPM and Operating Life**

**Backlash 1°, with option of 1/2°**

**Weight of only 0.46 lb.**

**RPM to 3,000**

**Temp range -5° F to +175° F, -40° F grease optional**

**Made in USA with American CNC machines**

#### Materials

303 Stainless Steel Shafts

Anodized Aluminum Housing

Sealed Steel Ball Bearings

Greased for life: Shell Alvania EP2. Cold temp. grease optional

**Exclusive 24 Month Warranty!**

**See our website for CAD files**

**ondrives.us**

☎ 1-888-260-7466

📄 516-771-6444

💻 sales@ondrivesus.com

🌐 www.ondrivesus.com

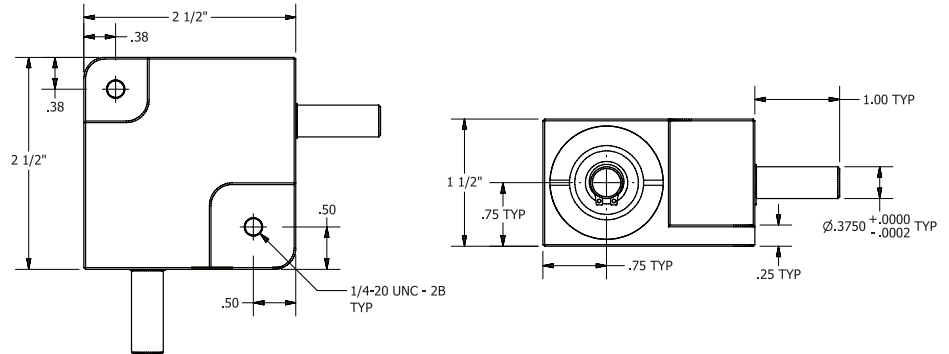
**BG31**

# GEARBOXES

**BG31**

## 1:1 Gearboxes

Uniquely rated so you can balance Torque to RPM to Life

**BGH31-1****LIFETIME (hrs) as a FUNCTION of RPM & TORQUE**

Torque	RPM					
	50	100	200	500	1000	2000
<b>13</b>	20,000	20,000	20,000	20,000	20,000	20,000
<b>14</b>	20,000	20,000	20,000	20,000	19,000	7,500
<b>15</b>	20,000	20,000	20,000	15,000	6,200	2,450
<b>16</b>	20,000	20,000	15,500	5,300	2,200	850
<b>17</b>	20,000	12,500	5,800	1,950	825	375
<b>18</b>	13,800	6,750	3,100	1,200	560	250
<b>19</b>	9,600	4,700	2,280	850	395	180
<b>20</b>	6,900	3,300	1,620	600	280	125

2,000 RPM Maximum  
Standard Backlash of 1°

**Additional Information**

Calculations are based on an application factor of 1.25. They apply to a medium impact drive turning a uniform load or a uniform drive turning a moderate impact load. Life Time figures shown are for guidance only. Testing in your application is required. You will need to assess duty cycles and confirm suitability with your own calculations.

**BGSH31-1 + BGSH31-1A (Low Backlash)****LIFETIME (hrs) as a FUNCTION of RPM & TORQUE**

Torque	RPM						
	50	100	200	500	1000	2000	3000
<b>25</b>	20,000	20,000	20,000	20,000	20,000	20,000	20,000
<b>26</b>	20,000	20,000	20,000	20,000	20,000	20,000	12,000
<b>27</b>	20,000	20,000	20,000	20,000	20,000	12,000	6,700
<b>28</b>	20,000	20,000	20,000	20,000	17,600	6,800	3,700
<b>29</b>	20,000	20,000	20,000	20,000	10,000	3,800	2,100
<b>30</b>	20,000	20,000	20,000	14,000	5,800	2,200	1,200
<b>31</b>	20,000	20,000	20,000	8,200	3,300	1,250	700
<b>32</b>	20,000	20,000	15,000	4,900	2,000	760	340

3,000 RPM Maximum  
Standard Backlash of 1° 1/2° Backlash Available

**Torque from 13 to 32 inch\*pounds****Application rated for optimum operation and cost****You can balance Torque to RPM and Operating Life****Backlash 1°, with option of 1/2°****Weight of only 1.35 lb.****RPM to 3,000****Temp range -5° F to +175° F, -40° F grease optional****Made in USA with American CNC machines****Materials**

303 Stainless Steel Shafts

Anodized Aluminum Housing

Sealed Steel Ball Bearings

Greased for life: Shell Alvania EP2. Cold temp. grease optional

**Exclusive 24 Month Warranty!****See our website for CAD files****ondrives.us**

☎ 1-888-260-7466

📄 516-771-6444

💻 sales@ondrivesus.com

🌐 www.ondrivesus.com