

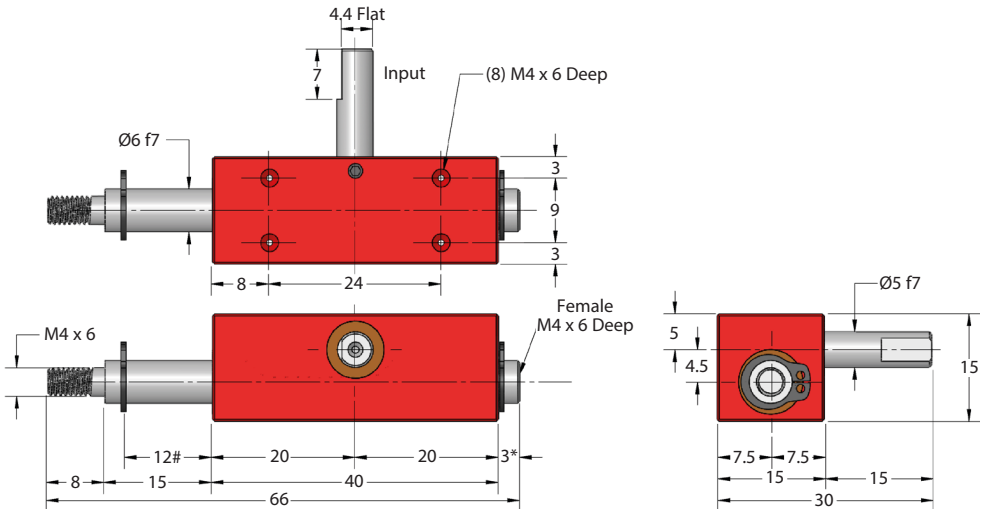
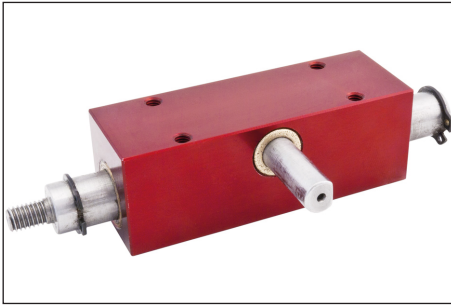
# GEARBOXES

## Rack & Pinion Actuator Box

10 mm Stroke, 7.5 kg Load, 0.24 Nm

e-cad  
Drawings  
Available

RPA6



# Maximum extension } These figures will increase/decrease during operation  
\* Minimum extension }

Part Number	Output Shaft Dia.	Input Shaft Dia.	Standard Travel	Max Torque Input at 100 rpm Nm	Max Load Output kg	Angular Movement For 1mm Travel	Angular Movement For Std Travel
RPA6-10	$\text{\O}6$	$\text{\O}5$	10	0.24	7.5	$19.10^\circ$	$191^\circ$

Case: Aluminum. Rack & Pinion: High Carbon Steel 817M40 (EN24).

**Backlash:** 2°.

**Travel:** 10 mm travel =  $191^\circ$  pinion rotation on input. 1 mm travel =  $19.10^\circ$  pinion rotation on input.

**Greased for Life:** Shell Gadus S5 V42P 2.5.

Special lengths or travel can be supplied to suit customers' requirements.

sales@ondrives.us  
www.ondrives.us

516-771-6777  
516-771-6444

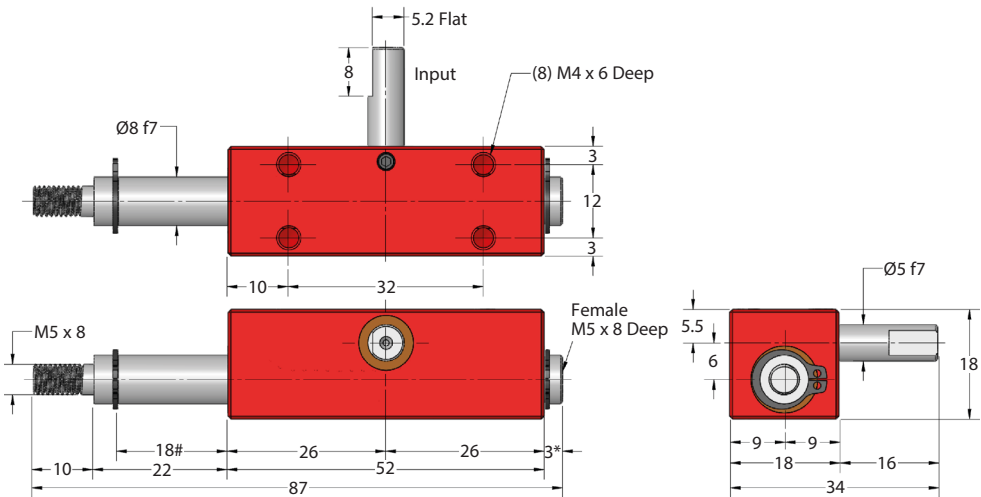
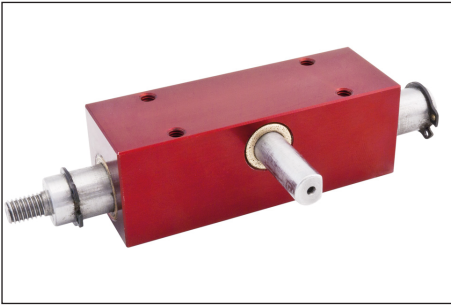
**ondrives**.US Corp.

**RPA8****e-cad**  
Drawings  
Available

# GEARBOXES

## Rack & Pinion Actuator Box

15 mm Stroke, 11 kg Load, 0.43 Nm



# Maximum extension } These figures will increase/decrease during operation  
 \* Minimum extension }

Part Number	Output Shaft Dia.	Input Shaft Dia.	Standard Travel	Max Torque Input at 100 rpm Nm	Max Load Output kg	Angular Movement For 1mm Travel	Angular Movement For Std Travel
RPA8-15	Ø8	Ø6	15	0.43	11	15.92°	238.8°

Case: Aluminum. Rack & Pinion: High Carbon Steel 817M40 (EN24).

Backlash: 2°.

Travel: 15 mm travel = 238.8° pinion rotation on input. 1 mm travel = 15.92° pinion rotation on input.

Greased for Life: Shell Gadus S5 V42P 2.5.

Special lengths or travel can be supplied to suit customers' requirements.

**ondrives**.US Corp.

☎ 516-771-6777  
 📄 516-771-6444

✉ sales@ondrives.us  
 🌐 www.ondrives.us

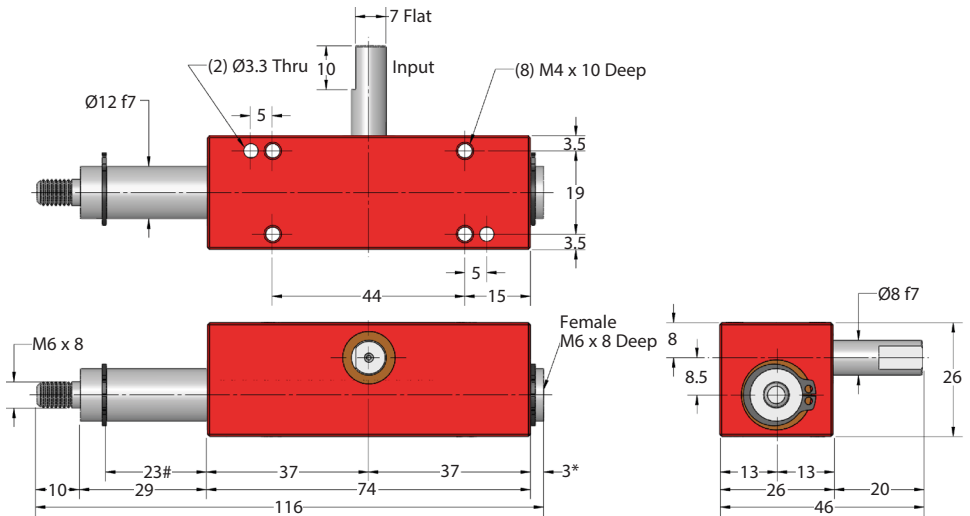
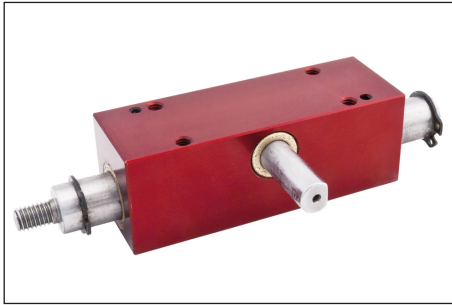
# GEARBOXES

## Rack & Pinion Actuator Box

20 mm Stroke, 17 kg Load, 0.64 Nm

e-cad  
Drawings  
Available

RPA12



# Maximum extension } These figures will increase/decrease during operation  
\* Minimum extension }

Part Number	Output Shaft Dia.	Input Shaft Dia.	Standard Travel	Max Torque Input at 100 rpm Nm	Max Load Output kg	Angular Movement For 1mm Travel	Angular Movement For Std Travel
RPA12-20	Ø12	Ø8	20	0.64	17	11.93°	238.7°

Case: Aluminum. Rack & Pinion: High Carbon Steel 817M40 (EN24).

Weight: 0.225 kg. Backlash: 2°.

Travel: 20 mm travel = 238.7° pinion rotation on input. 1 mm travel = 11.93° pinion rotation on input.

Greased for Life: Shell Gadus S5 V42P 2.5.

Special lengths or travel can be supplied to suit customers' requirements.

sales@ondrives.us  
www.ondrives.us

516-771-6777  
516-771-6444

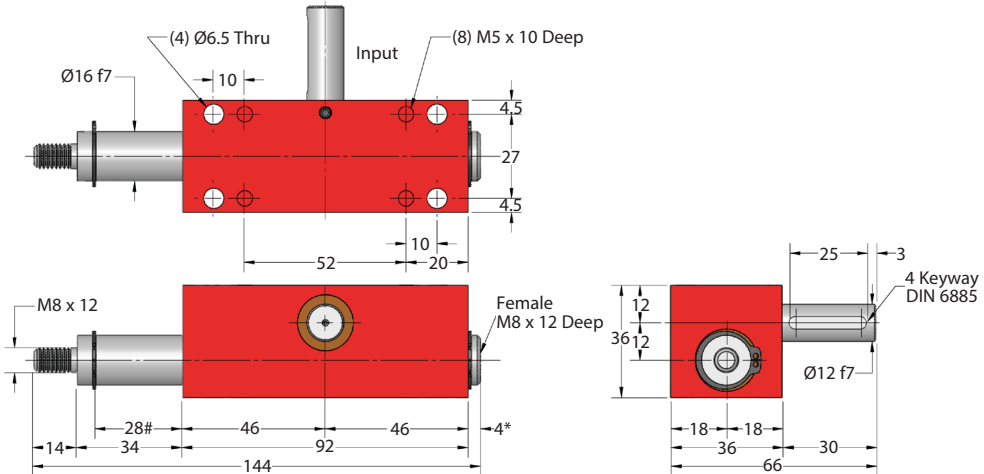
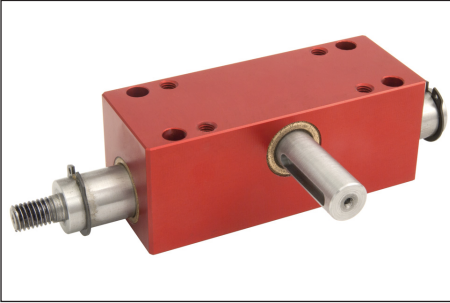
ondrives .US Corp.

**RPA16****e-cad**  
Drawings  
Available

# GEARBOXES

## Rack & Pinion Actuator Box

25 mm Stroke, 41 kg Load, 3 Nm



# Maximum extension } These figures will increase/decrease during operation  
 \* Minimum extension }

Part Number	Output Shaft Dia.	Input Shaft Dia.	Standard Travel	Max Torque Input at 100 rpm Nm	Max Load Output kg	Angular Movement For 1mm Travel	Angular Movement For Std Travel
RPA16-25	Ø16	Ø12	25	3.0	41	8.19°	204.8°

Case: Aluminum. Rack & Pinion: High Carbon Steel 817M40 (EN24).

Backlash: 2°.

Travel: 25 mm travel = 204.8° pinion rotation on input. 1 mm travel = 8.19° pinion rotation on input.

Greased for Life: Shell Gadus S5 V42P 2.5.

Special lengths or travel can be supplied to suit customers' requirements.

**ondrives**.US Corp.

☎ 516-771-6777  
 📠 516-771-6444

✉ sales@ondrives.us  
 🌐 www.ondrives.us

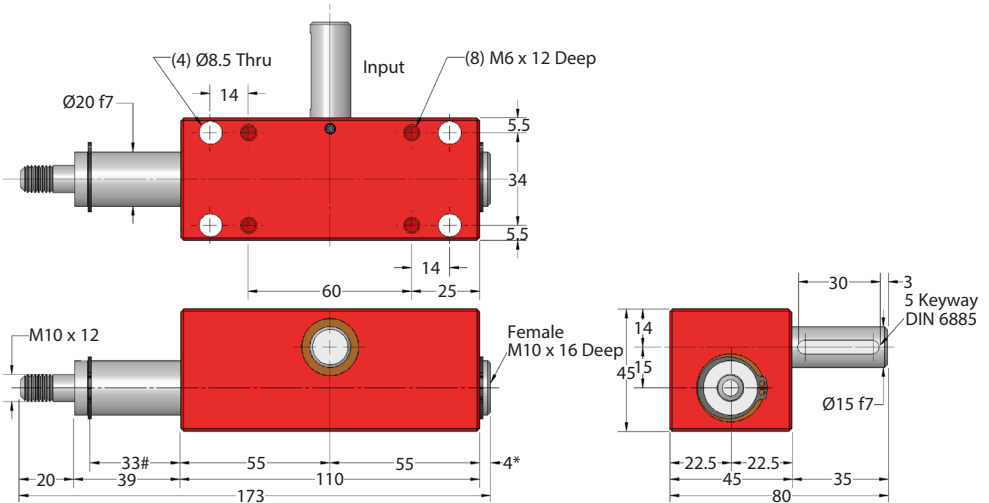
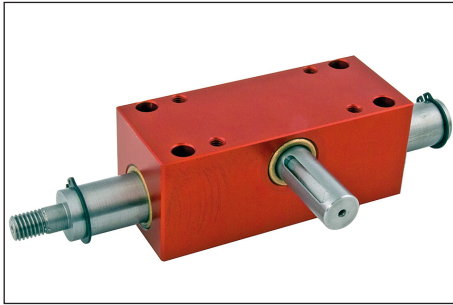
# GEARBOXES

## Rack & Pinion Actuator Box

30 mm Stroke, 60 kg Load, 5.2 Nm

e-cad  
Drawings  
Available

RPA20



# Maximum extension } These figures will increase/decrease during operation  
\* Minimum extension }

Part Number	Output Shaft Dia.	Input Shaft Dia.	Standard Travel	Max Torque Input at 100 rpm Nm	Max Load Output kg	Angular Movement For 1mm Travel	Angular Movement For Std Travel
RPA20-30	Ø20	Ø15	30	5.2	60	6.55°	196.5°

Case: Aluminum. Rack & Pinion: High Carbon Steel 817M40 (EN24).

**Backlash:** 2°.

**Travel:** 30 mm travel = 196.5° pinion rotation on input. 1 mm travel = 6.55° pinion rotation on input.

**Greased for Life:** Shell Gadus S5 V42P 2.5.

Special lengths or travel can be supplied to suit customers' requirements.

sales@ondrives.us  
www.ondrives.us

516-771-6777  
516-771-6444

**ondrives**.US Corp.