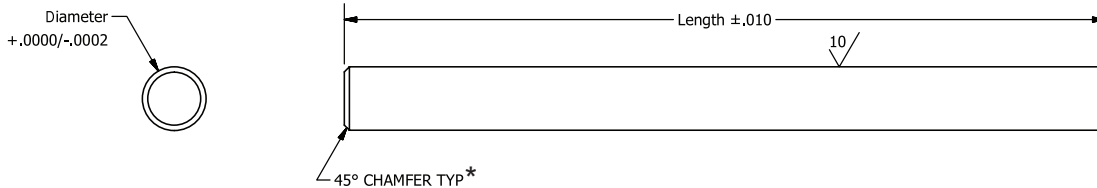
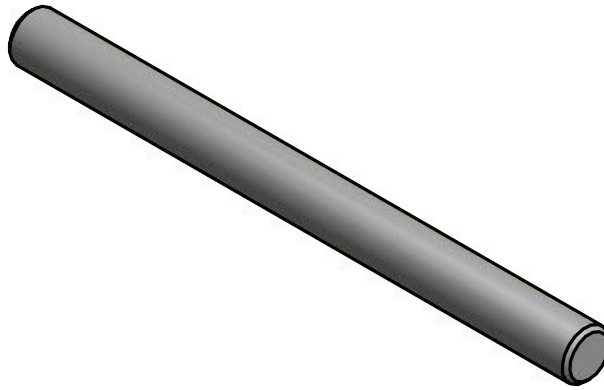


**GP**  
**INCH**

## **Precision Ground Shafting**

### **17-4 PH, Condition H900 Stainless Steel**



- + Precision ground 17-4 PH Stainless, Condition H900
- + Rockwell C38-46
- + 12 Diameters .0312 to .3750
- + Lengths from 6" to 36"
- + Chamfered both ends\*
- + Straightness .0004 in/in up to 1/4" diameter
- + Straightness .0006 in/in over 1/4" diameter
- + From stock delivery
- + Other materials available from stock: 303, 316, 12L14
- + Special sizes and other materials are available, please ask
- + Customizing: grooves, journals, flats, drill holes, thread + tapped holes, chamfers, special diameters, special lengths

**ondrives**.US Corp.

216 N. Main St., Freeport, NY 11520  
ISO9001:2008 Certified

phone: 888-260-7466  
fax: 516-771-6444

www.ondrivesUS.com  
sales@ondrivesUS.com

**GP  
INCH**

# Precision Ground Shafting

## 17-4 PH, Condition H900 Stainless Steel

Straightness .0004in/in up to 1/4" Dia., .0006in/in over 1/4" Dia.  
Surface Finish 10µin

Rockwell C38-46

\*Chamfered both ends

Ref.	+ .0000 / - .0002 Diameter	Part Number	+/- .010 Length
1/32"	0.0312	GP0312-20	2.00
		GP0312-30	3.00
		GP0312-40	4.00
		GP0312-50	5.00
		GP0312-60	6.00
		GP0312-120	12.00
		GP0312-180	18.00
3/64"	0.0468	GP0468-20	2.00
		GP0468-30	3.00
		GP0468-40	4.00
		GP0468-50	5.00
		GP0468-60	6.00
		GP0468-120	12.00
		GP0468-180	18.00
1/16"	0.0625	GP0625-20	2.00
		GP0625-30	3.00
		GP0625-40	4.00
		GP0625-50	5.00
		GP0625-60	6.00
		GP0625-120	12.00
		GP0625-180	18.00
5/64"	0.0781	GP0781-20	2.00
		GP0781-30	3.00
		GP0781-40	4.00
		GP0781-50	5.00
		GP0781-60	6.00
		GP0781-120	12.00
		GP0781-180	18.00
3/32"	0.0937	GP0937-20	2.00
		GP0937-30	3.00
		GP0937-40	4.00
		GP0937-50	5.00
		GP0937-60	6.00
		GP0937-120	12.00
		GP0937-180	18.00
1/8"	0.1250	GP1250-20	2.00
		GP1250-30	3.00
		GP1250-40	4.00
		GP1250-50	5.00
		GP1250-60	6.00
		GP1250-120	12.00
		GP1250-180	18.00
		GP1250-240	24.00
		GP1250-360	36.00

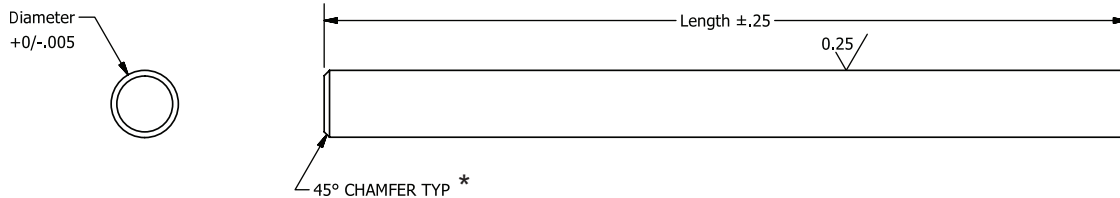
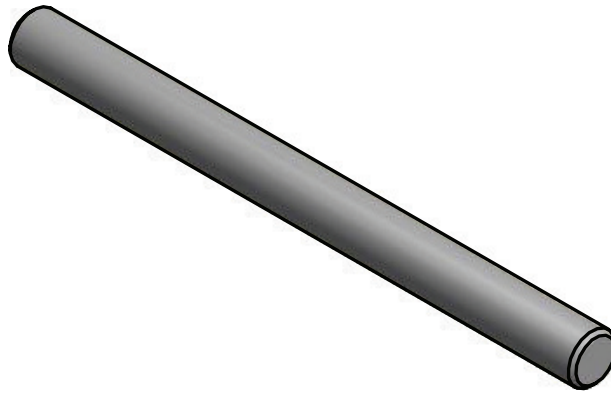
\*Chamfered 0.0937" diameter and larger,  
Rough cut under 0.0937" diameter

Ref.	+ .0000 / - .0002 Diameter	Part Number	+/- .010 Length
5/32"	0.1562	GP1562-20	2.00
		GP1562-30	3.00
		GP1562-40	4.00
		GP1562-50	5.00
		GP1562-60	6.00
		GP1562-120	12.00
		GP1562-180	18.00
3/16"	0.1875	GP1562-240	24.00
		GP1562-360	36.00
		GP1875-20	2.00
		GP1875-30	3.00
		GP1875-40	4.00
		GP1875-50	5.00
		GP1875-60	6.00
7/32"	0.2187	GP1875-120	12.00
		GP1875-180	18.00
		GP1875-240	24.00
		GP1875-360	36.00
		GP2187-20	2.00
		GP2187-30	3.00
		GP2187-40	4.00
1/4"	0.2500	GP2187-50	5.00
		GP2187-60	6.00
		GP2187-120	12.00
		GP2187-180	18.00
		GP2187-240	24.00
		GP2187-360	36.00
		GP2500-20	2.00
5/16"	0.3125	GP2500-30	3.00
		GP2500-40	4.00
		GP2500-50	5.00
		GP2500-60	6.00
		GP2500-120	12.00
		GP2500-180	18.00
		GP2500-240	24.00
3/8"	0.3750	GP2500-360	36.00
		GP3125-20	2.00
		GP3125-30	3.00
		GP3125-40	4.00
		GP3125-50	5.00
		GP3125-60	6.00
		GP3125-120	12.00
		GP3125-180	18.00
		GP3125-240	24.00
		GP3125-360	36.00
		GP3750-20	2.00
		GP3750-30	3.00
		GP3750-40	4.00
		GP3750-50	5.00
		GP3750-60	6.00
		GP3750-120	12.00
		GP3750-180	18.00
		GP3750-240	24.00
		GP3750-360	36.00

**ondrives**.US Corp.216 N. Main St., Freeport, NY 11520  
ISO9001:2008 Certifiedphone: 888-260-7466  
fax: 516-771-6444www.ondrivesUS.com  
sales@ondrivesUS.com

# Precision Ground Shafting

## 17-4 PH, Condition H900 Stainless Steel



- + Precision ground 17-4 PH Stainless, Condition H900
- + Rockwell C38-46
- + 12 Diameters .0312 to .3750
- + Lengths from 6" to 36"
- + Chamfered both ends \*
- + Straightness .0004 in/in up to 1/4" diameter
- + Straightness .0006 in/in over 1/4" diameter
- + From stock delivery
- + Other materials available from stock: 303, 316, 12L14
- + Special sizes and other materials are available, please ask
- + Customizing: grooves, journals, flats, drill holes, thread + tapped holes, chamfers, special diameters, special lengths

# Precision Ground Shafting

## 17-4 PH, Condition H900 Stainless Steel

Straightness .0004mm/mm up to 6mm Dia.,  
.0006mm/mm over 6mm Dia.

Rockwell C38-46

Surface Finish .25µm

\*Chamfered both ends

Ref.	+ .0000 / - .005 Diameter	Part Number	+/- 0.25 Length
1mm	1,000	GPM1000-200	200mm
		GPM1000-300	300mm
1,5mm	1,500	GPM1500-200	200mm
		GPM1500-300	300mm
		GPM1500-600	600mm
2mm	2,000	GPM2000-200	200mm
		GPM2000-300	300mm
		GPM2000-600	600mm
		GPM2000-900	900mm
2,5mm	2,500	GPM2500-200	200mm
		GPM2500-300	300mm
		GPM2500-600	600mm
		GPM2500-900	900mm
3mm	3,000	GPM3000-200	200mm
		GPM3000-300	300mm
		GPM3000-600	600mm
		GPM3000-900	900mm
4mm	4,000	GPM4000-200	200mm
		GPM4000-300	300mm
		GPM4000-600	600mm
		GPM4000-900	900mm

Ref.	+ .0000 / - .005 Diameter	Part Number	+/- 0.25 Length
5mm	5,000	GPM5000-300	300mm
		GPM5000-600	600mm
		GPM5000-900	900mm
6mm	6,000	GPM6000-300	300mm
		GPM6000-600	600mm
		GPM6000-900	900mm
7mm	7,000	GPM7000-300	300mm
		GPM7000-600	600mm
		GPM7000-900	900mm
8mm	8,000	GPM8000-300	300mm
		GPM8000-600	600mm
		GPM8000-900	900mm
9mm	9,000	GPM9000-300	300mm
		GPM9000-600	600mm
		GPM9000-900	900mm
10mm	10,000	GPM10000-300	300mm
		GPM10000-600	600mm
		GPM10000-900	900mm

\*Chamfered 2.5mm diameter and larger,  
Rough cut under 2.5mm diameter