

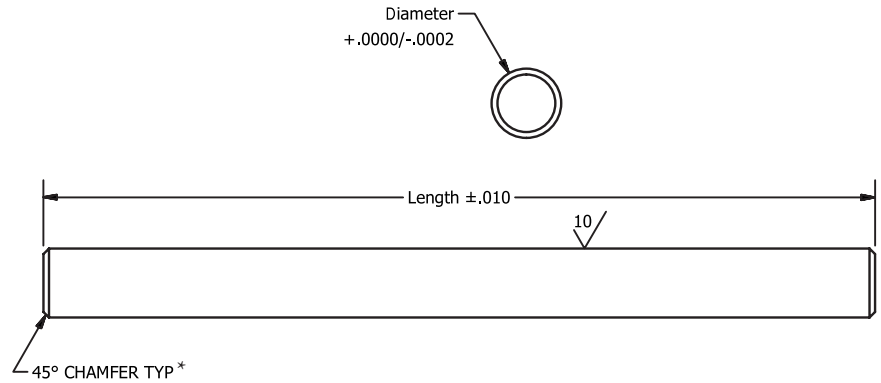
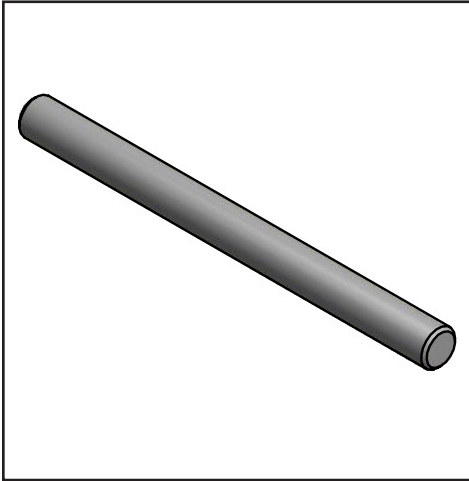
GS

SHAFTS

Ground Shafting

303 Stainless Steel Inch
1/16" to 1-1/4" Diameters 3" to 60" Length

GS



Part Number	Ref.	+0.0000 / -0.0002 Diameter	+/- .010 Length
GS0625-30	1/16"	0.0625	3.00
GS0625-40	1/16"	0.0625	4.00
GS0625-50	1/16"	0.0625	5.00
GS0625-60	1/16"	0.0625	6.00
GS0625-70	1/16"	0.0625	7.00
GS0625-80	1/16"	0.0625	8.00
GS0625-90	1/16"	0.0625	9.00
GS0625-100	1/16"	0.0625	10.00
GS0625-120	1/16"	0.0625	12.00
GS0625-180	1/16"	0.0625	18.00
GS0625-240	1/16"	0.0625	24.00
GS0625-300	1/16"	0.0625	30.00
GS0625-360	1/16"	0.0625	36.00
GS1250-30	1/8"	0.1250	3.00
GS1250-40	1/8"	0.1250	4.00
GS1250-50	1/8"	0.1250	5.00
GS1250-60	1/8"	0.1250	6.00
GS1250-70	1/8"	0.1250	7.00
GS1250-80	1/8"	0.1250	8.00
GS1250-90	1/8"	0.1250	9.00
GS1250-100	1/8"	0.1250	10.00
GS1250-120	1/8"	0.1250	12.00
GS1250-180	1/8"	0.1250	18.00
GS1250-240	1/8"	0.1250	24.00
GS1250-300	1/8"	0.1250	30.00
GS1250-360	1/8"	0.1250	36.00

Part Number	Ref.	+0.0000 / -0.0002 Diameter	+/- .010 Length
GS1562-30	5/32"	0.1562	3.00
GS1562-40	5/32"	0.1562	4.00
GS1562-50	5/32"	0.1562	5.00
GS1562-60	5/32"	0.1562	6.00
GS1562-70	5/32"	0.1562	7.00
GS1562-80	5/32"	0.1562	8.00
GS1562-90	5/32"	0.1562	9.00
GS1562-100	5/32"	0.1562	10.00
GS1562-120	5/32"	0.1562	12.00
GS1562-180	5/32"	0.1562	18.00
GS1562-240	5/32"	0.1562	24.00
GS1562-300	5/32"	0.1562	30.00
GS1562-360	5/32"	0.1562	36.00

Specifications:

Material: 303 Stainless Steel

Straightness:

up to 1/4" Diameter: .0004in/in
over 1/4" Diameter: .0006in/in

Surface Finish: 10µin

Hardness: HRB83

***Chamfer:** 45° chamfer both ends on diameters .0937" and over; rough cut on diameters under .0937"

From stock delivery

Other materials available from stock: 316, 17-4 PH, 12L14

Special sizes and other materials are available, please ask

Customizing: grooves, journals, flats, drill holes,

thread + tapped holes, chamfers, special diameters, special lengths

ondrives.us

☎ 1-888-260-7466

📄 516-771-6444

💻 sales@ondrivesus.com

🌐 www.ondrivesus.com

SHAFTS

Ground Shafting

303 Stainless Steel Inch
1/16" to 1-1/4" Diameters 3" to 60" Length

Part Number	Ref.	+0.000 / -0.002 Diameter	+/- .010 Length
GS1875-30	3/16"	0.1875	3.00
GS1875-40	3/16"	0.1875	4.00
GS1875-50	3/16"	0.1875	5.00
GS1875-60	3/16"	0.1875	6.00
GS1875-70	3/16"	0.1875	7.00
GS1875-80	3/16"	0.1875	8.00
GS1875-90	3/16"	0.1875	9.00
GS1875-100	3/16"	0.1875	10.00
GS1875-120	3/16"	0.1875	12.00
GS1875-180	3/16"	0.1875	18.00
GS1875-240	3/16"	0.1875	24.00
GS1875-300	3/16"	0.1875	30.00
GS1875-360	3/16"	0.1875	36.00
GS2500-30	1/4"	0.2500	3.00
GS2500-40	1/4"	0.2500	4.00
GS2500-50	1/4"	0.2500	5.00
GS2500-60	1/4"	0.2500	6.00
GS2500-70	1/4"	0.2500	7.00
GS2500-80	1/4"	0.2500	8.00
GS2500-90	1/4"	0.2500	9.00
GS2500-100	1/4"	0.2500	10.00
GS2500-120	1/4"	0.2500	12.00
GS2500-180	1/4"	0.2500	18.00
GS2500-240	1/4"	0.2500	24.00
GS2500-300	1/4"	0.2500	30.00
GS2500-360	1/4"	0.2500	36.00
GS2500-480	1/4"	0.2500	48.00**
GS2500-600	1/4"	0.2500	60.00**
GS3125-30	5/16"	0.3125	3.00
GS3125-40	5/16"	0.3125	4.00
GS3125-50	5/16"	0.3125	5.00
GS3125-60	5/16"	0.3125	6.00
GS3125-70	5/16"	0.3125	7.00
GS3125-80	5/16"	0.3125	8.00
GS3125-90	5/16"	0.3125	9.00
GS3125-100	5/16"	0.3125	10.00
GS3125-120	5/16"	0.3125	12.00
GS3125-180	5/16"	0.3125	18.00
GS3125-240	5/16"	0.3125	24.00
GS3125-300	5/16"	0.3125	30.00
GS3125-360	5/16"	0.3125	36.00
GS3125-480	5/16"	0.3125	48.00**
GS3125-600	5/16"	0.3125	60.00**

Part Number	Ref.	+0.000 / -0.002 Diameter	+/- .010 Length
GS3750-60	3/8"	0.3750	6.00
GS3750-120	3/8"	0.3750	12.00
GS3750-180	3/8"	0.3750	18.00
GS3750-240	3/8"	0.3750	24.00
GS3750-360	3/8"	0.3750	36.00
GS3750-480	3/8"	0.3750	48.00**
GS3750-600	3/8"	0.3750	60.00**
GS5000-120	1/2"	0.5000	12.00
GS5000-180	1/2"	0.5000	18.00
GS5000-240	1/2"	0.5000	24.00
GS5000-300	1/2"	0.5000	30.00
GS5000-360	1/2"	0.5000	36.00
GS5000-480	1/2"	0.5000	48.00**
GS5000-600	1/2"	0.5000	60.00**

Part Number	Ref.	+0.000 / -0.004 Diameter	+/- .010 Length
GS6250-120	5/8"	0.6250	12.00
GS6250-180	5/8"	0.6250	18.00
GS6250-240	5/8"	0.6250	24.00
GS6250-360	5/8"	0.6250	36.00
GS6250-480	5/8"	0.6250	48.00**
GS6250-600	5/8"	0.6250	60.00**
GS7500-120	3/4"	0.7500	12.00
GS7500-180	3/4"	0.7500	18.00
GS7500-240	3/4"	0.7500	24.00
GS7500-360	3/4"	0.7500	36.00
GS7500-480	3/4"	0.7500	48.00**
GS7500-600	3/4"	0.7500	60.00**
GS10K-120	1"	1.0000	12.00
GS10K-180	1"	1.0000	18.00
GS10K-240	1"	1.0000	24.00
GS10K-360	1"	1.0000	36.00
GS10K-480	1"	1.0000	48.00**
GS10K-600	1"	1.0000	60.00**
GS12.5K-120	1-1/4"	1.2500	12.00
GS12.5K-180	1-1/4"	1.2500	18.00
GS12.5K-240	1-1/4"	1.2500	24.00
GS12.5K-360	1-1/4"	1.2500	36.00
GS12.5K-480	1-1/4"	1.2500	48.00**
GS12.5K-600	1-1/4"	1.2500	60.00**

** +/- 1/8" tolerance

Specifications:

Material: 303 Stainless Steel

Straightness:

up to 1/4" Diameter: .0004in/in

over 1/4" Diameter: .0006in/in

Surface Finish:

10µin

Hardness:

HRB83

*Chamfer: 45° chamfer both ends on diameters .0937" and over; rough cut on diameters under .0937"

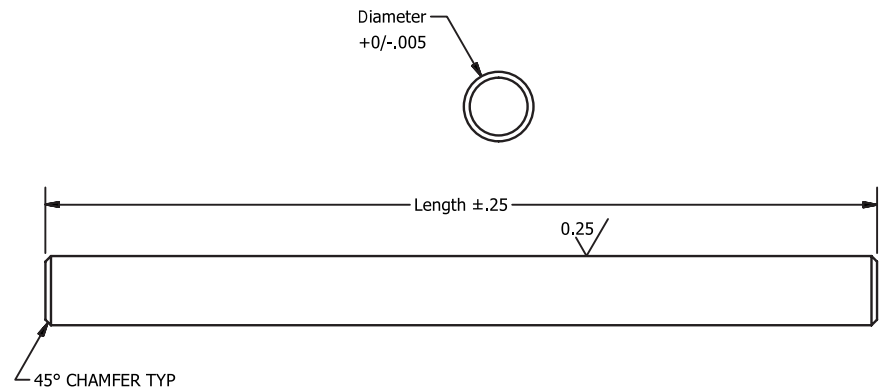
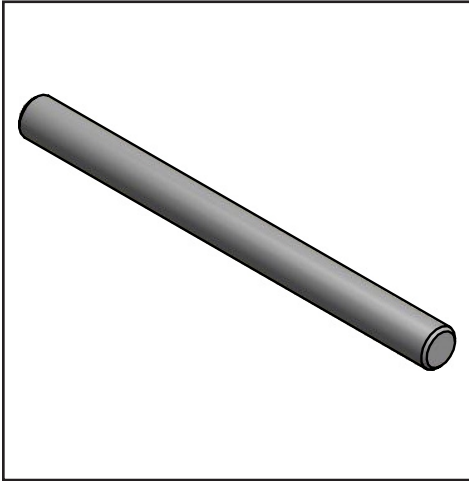
GSM

SHAFTS

Ground Shafting

303 Stainless Steel Metric
1mm to 10mm Diameters 200mm to 900mm Length

GSM



Part Number	Ref.	+0.000 / -0.005 Diameter	+/- 0.25 Length
GSM1000-200	1mm	1.000	200mm
GSM1000-300	1mm	1.000	300mm
GSM1000-400	1mm	1.000	400mm
GSM1000-600	1mm	1.000	600mm
GSM1000-800	1mm	1.000	800mm
GSM1000-900	1mm	1.000	900mm
GSM1500-200	1,5mm	1.500	200mm
GSM1500-300	1,5mm	1.500	300mm
GSM1500-400	1,5mm	1.500	400mm
GSM1500-600	1,5mm	1.500	600mm
GSM1500-800	1,5mm	1.500	800mm
GSM1500-900	1,5mm	1.500	900mm
GSM2000-200	2mm	2.000	200mm
GSM2000-300	2mm	2.000	300mm
GSM2000-400	2mm	2.000	400mm
GSM2000-600	2mm	2.000	600mm
GSM2000-800	2mm	2.000	800mm
GSM2000-900	2mm	2.000	900mm

Part Number	Ref.	+0.000 / -0.005 Diameter	+/- 0.25 Length
GSM2500-200	2,5mm	2.500	200mm
GSM2500-300	2,5mm	2.500	300mm
GSM2500-400	2,5mm	2.500	400mm
GSM2500-600	2,5mm	2.500	600mm
GSM2500-800	2,5mm	2.500	800mm
GSM2500-900	2,5mm	2.500	900mm
GSM3000-200	3mm	3.000	200mm
GSM3000-300	3mm	3.000	300mm
GSM3000-400	3mm	3.000	400mm
GSM3000-600	3mm	3.000	600mm
GSM3000-800	3mm	3.000	800mm
GSM3000-900	3mm	3.000	900mm
GSM4000-200	4mm	4.000	200mm
GSM4000-300	4mm	4.000	300mm
GSM4000-400	4mm	4.000	400mm
GSM4000-600	4mm	4.000	600mm
GSM4000-800	4mm	4.000	800mm
GSM4000-900	4mm	4.000	900mm

Specifications:

Material: 303 Stainless Steel

Straightness:

up to 6mm Diameter: .0004mm/mm

over 6mm Diameter: .0006mm/mm

Surface Finish: 0.25µin

Hardness: HRB83

***Chamfer:** 45° chamfer both ends on diameters 2.5mm and over; rough cut on diameters under 2.5mm

From stock delivery

Other materials available from stock: 316, 17-4 PH, 12L14

Special sizes and other materials are available, please ask

Customizing: grooves, journals, flats, drill holes, thread + tapped holes, chamfers, special diameters, special lengths

ondrives.us

☎ 1-888-260-7466

📄 516-771-6444

💻 sales@ondrivesus.com

🌐 www.ondrivesus.com

GSM

SHAFTS

Ground Shafting

303 Stainless Steel Metric

1mm to 10mm Diameters 200mm to 900mm Length

GSM

Part Number	Ref.	+0.000 / -0.005 Diameter	+/- .025 Length
GSM5000-200	5mm	5.000	200mm
GSM5000-300	5mm	5.000	300mm
GSM5000-400	5mm	5.000	400mm
GSM5000-600	5mm	5.000	600mm
GSM5000-800	5mm	5.000	800mm
GSM5000-900	5mm	5.000	900mm
GSM6000-200	6mm	6.000	200mm
GSM6000-300	6mm	6.000	300mm
GSM6000-400	6mm	6.000	400mm
GSM6000-600	6mm	6.000	600mm
GSM6000-800	6mm	6.000	800mm
GSM6000-900	6mm	6.000	900mm
GSM7000-200	7mm	7.000	200mm
GSM7000-300	7mm	7.000	300mm
GSM7000-400	7mm	7.000	400mm
GSM7000-600	7mm	7.000	600mm
GSM7000-800	7mm	7.000	800mm
GSM7000-900	7mm	7.000	900mm

Part Number	Ref.	+0.000 / -0.005 Diameter	+/- 0.25 Length
GSM8000-200	8mm	8.000	200mm
GSM8000-300	8mm	8.000	300mm
GSM8000-400	8mm	8.000	400mm
GSM8000-600	8mm	8.000	600mm
GSM8000-800	8mm	8.000	800mm
GSM8000-900	8mm	8.000	900mm
GSM9000-200	9mm	9.000	200mm
GSM9000-300	9mm	9.000	300mm
GSM9000-400	9mm	9.000	400mm
GSM9000-600	9mm	9.000	600mm
GSM9000-800	9mm	9.000	800mm
GSM9000-900	9mm	9.000	900mm
GSM10000-200	10mm	10.000	200mm
GSM10000-300	10mm	10.000	300mm
GSM10000-400	10mm	10.000	400mm
GSM10000-600	10mm	10.000	600mm
GSM10000-800	10mm	10.000	800mm
GSM10000-900	10mm	10.000	900mm

Specifications:

Material: 303 Stainless Steel

Straightness:

up to 6mm Diameter: .0004mm/mm
over 6mm Diameter: .0006mm/mm

Surface Finish: 0.25µin

Hardness: HRB83

***Chamfer:** 45° chamfer both ends on diameters 2.5mm and over; rough cut on diameters under 2.5mm