

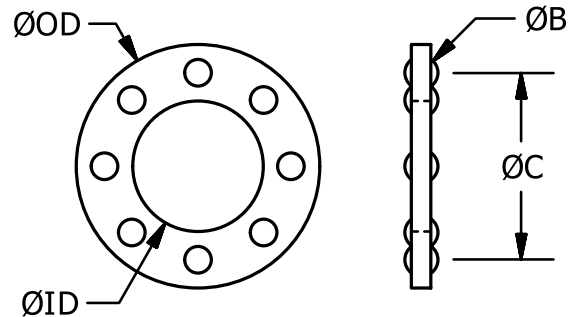
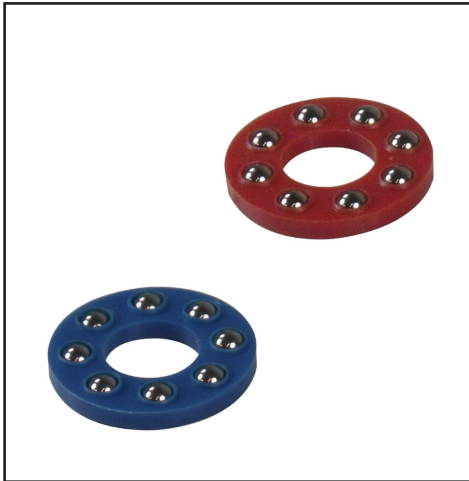
TBN

COMPONENTS

Ball Retainers

Inch

TBN



Nylon Ball Retainers		ID	OD	C	B	# of Balls
Carbon Steel Balls	Stainless Steel Balls					
TBN-012C	TBN-012S	.128 +.005/-0.000	.437 +.000/-0.007	9/32	.0938	6
TBN-018C	TBN-018S	.191 +.004/-0.000	.499 +.000/-0.007	11/32	.0938	7
TBN-025C	TBN-025S	.253 +.005/-0.000	.562 +.000/-0.007	13/32	.0938	8
TBN-031C	TBN-031S	.316 +.005/-0.000	.624 +.000/-0.007	15/32	.0938	9
TBN-037C	TBN-037S	.378 +.005/-0.000	.812 +.000/-0.007	19/32	.1250	6
TBN-043C	TBN-043S	.441 +.005/-0.000	.874 +.000/-0.007	21/32	.1250	7
TBN-050C	TBN-050S	.503 +.005/-0.000	.937 +.000/-0.007	23/32	.1250	8
TBN-056C	TBN-056S	.566 +.005/-0.000	.999 +.000/-0.007	25/32	.1250	9
TBN-062C	TBN-062S	.628 +.007/-0.000	1.124 +.000/-0.009	7/8	.1563	6
TBN-068C	TBN-068S	.691 +.007/-0.000	1.187 +.000/-0.009	15/16	.1563	7
TBN-075C	TBN-075S	.753 +.007/-0.000	1.249 +.000/-0.009	1	.1563	8
TBN-081C	TBN-081S	.816 +.007/-0.000	1.312 +.000/-0.009	1-1/16	.1563	9
TBN-087C	TBN-087S	.878 +.007/-0.000	1.374 +.000/-0.009	1-1/8	.1563	10
TBN-093C	TBN-093S	.941 +.009/-0.000	1.562 +.000/-0.011	1-1/4	.1875	9
TBN-100C	TBN-100S	1.003 +.009/-0.000	1.624 +.000/-0.011	1-5/16	.1875	10
TBN-112C	TBN-112S	1.128 +.009/-0.000	1.749 +.000/-0.011	1-7/16	.1875	12
TBN-125C	TBN-125S	1.253 +.009/-0.000	1.874 +.000/-0.011	1-9/16	.1875	14
TBN-150C	TBN-150S	1.503 +.009/-0.000	2.124 +.000/-0.011	1-13/16	.1875	14
TBN-200C	TBN-200S	2.000 +.020/-0.000	3.000 +.000/-0.020	2-1/2	.2500	12
TBN-250C	TBN-250S	2.500 +.020/-0.000	3.500 +.000/-0.020	3	.2500	14
TBN-300C	TBN-300S	3.000 +.020/-0.000	4.000 +.000/-0.020	3-1/2	.2500	15
TBN-350C	TBN-350S	3.500 +.020/-0.000	4.500 +.000/-0.020	4	.2500	15
TBN-400C	TBN-400S	4.000 +.020/-0.000	5.000 +.000/-0.020	4-1/2	.3125	12
TBN-450C	TBN-450S	4.500 +.020/-0.000	5.500 +.000/-0.020	5	.3125	12
TBN-500C	TBN-500S	5.000 +.020/-0.000	6.000 +.000/-0.020	5-1/2	.3125	15

For bearing sets, see Thrust Bearings

Carbon Steel Ball Thrust Bearing Technical Data

Washer: CR 1075 steel heat treated to RC 59-61
 Ball Material: S.A.E. 1018 steel with RC 60 minimum
 Ball Tolerance: ± 0.0001 in. (Grade 100)
 Retainer: HS nylon permitting continuous use up to 250° F

Stainless Steel Ball Thrust Bearing Technical Data

Washer: CR 410 stainless steel heat treated to RC 38-42
 Ball Material: type 440-c stainless steel with RC 58-65
 Ball Tolerance: ± 0.0001 in. (Grade 100)
 Retainer: HS nylon permitting continuous use up to 250° F

ondrives.us

1-888-260-7466
 516-771-6444

sales@ondrivesus.com
 www.ondrivesus.com