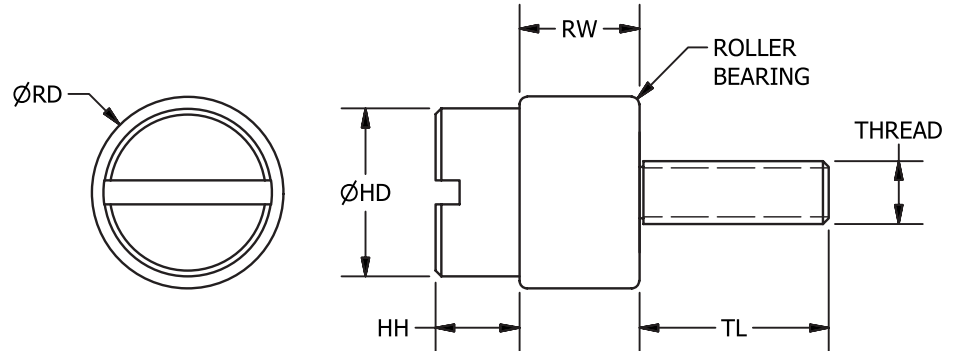


CF

COMPONENTS

Cam Followers - Roller Bearing

CF



Mounted on hardened stainless steel shoulder screws, the needle roller bearings can accommodate heavy loads. The low profile and wide roller surface makes this ideal for limited space.

Part Number	RD	RW	HD	HH	TL	LG	Thread	Dynamic Load (lbs)	Static Load (lbs)
CF-1	1/4	.250	1/4	1/8	5/32	.531	4-40	240	165
CF-40	9/32	.250	9/32	1/8	3/16	.563	6-32	250	175
CF-2	11/32	.250	5/16	5/32	3/16	.594	8-32	400	305
CF-3	11/32	.375	5/16	5/32	3/16	.719	8-32	620	530
CF-4	7/16	.250	3/8	3/16	1/4	.688	10-32	360	260
CF-41	7/16	.375	3/8	3/16	1/4	.813	10-32	790	720
CF-5	1/2	.312	7/16	7/32	7/16	.968	1/4-20	650	590
CF-6	9/16	.312	1/2	1/4	1/2	1.062	5/16-18	650	610
CF-7	9/16	.625	1/2	1/4	1/2	1.375	5/16-18	2040	1660
CF-42	5/8	.500	9/16	1/4	1/2	1.251	5/16-18	1900	1250
CF-43	11/16	.312	11/16	5/16	5/8	1.251	3/8-16	1500	1100
CF-44	11/16	.500	11/16	5/16	5/8	1.438	3/8-16	2100	1400
CF-8	11/16	.750	5/8	5/16	5/8	1.688	3/8-16	3200	2230
CF-45	3/4	.500	11/16	5/16	5/8	1.438	3/8-16	2250	1500
CF-46	3/4	.750	11/16	5/16	5/8	1.688	3/8-16	3375	2250

Metric Sizes

CFM-1	8mm	8mm	6mm	3mm	4mm	15mm	M3 x 0,5	450	350
CFM-3	9mm	9mm	8mm	4mm	5mm	18mm	M4 x 0,7	600	500
CFM-4	10mm	9mm	8,5mm	5mm	6mm	20mm	M5 x 0,8	670	550
CFM-9	12mm	10mm	10mm	5mm	6mm	21mm	M5 x 0,8	890	800
CFM-5	12mm	10mm	10,5mm	6mm	11mm	27mm	M6 x 1,0	890	800
CFM-10	14mm	10mm	12mm	6mm	11mm	27mm	M6 x 1,0	900	820
CFM-6	14mm	10mm	12,5mm	7mm	12mm	29mm	M8 x 1,25	900	820
CFM-11	16mm	10mm	14mm	7mm	12mm	29mm	M8 x 1,25	1500	980
CFM-8	16mm	10mm	14,5mm	8mm	16mm	37mm	M10 x 1,50	1950	1275
CFM-12	18mm	12mm	20mm	8mm	16mm	36mm	M10 x 1,50	2000	1330

Materials

Roller Cup - Case Hardened Steel
 Needle Bearings - 52100 Hardened Steel
 Bearing Cage - Low Carbon Steel
 Screw - 416 Stainless Steel Rc 26-32

ondrives.us

☎ 1-888-260-7466
 📄 516-771-6444

💻 sales@ondrivesus.com
 🌐 www.ondrivesus.com