

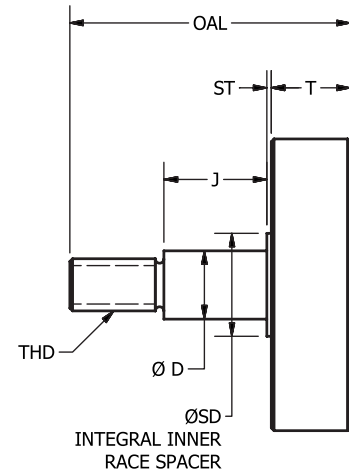
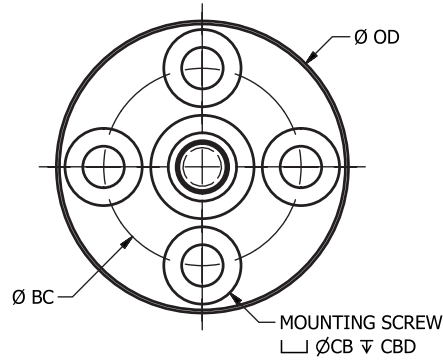
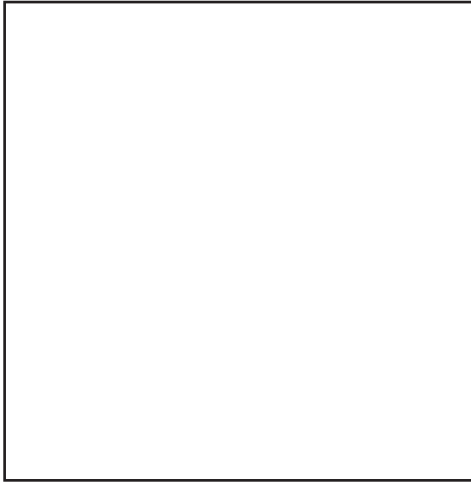
FMC

COMPONENTS

FMC

Flange Mount Support

For Bearings - Gears - Pulleys
Inch



| Part Number | D | J | OD | T | THD | OAL | BC | CB | CBD | Mounting Cap Screw | SD | ST |
|-----------------|--------------|----------------|--------------|------------------|---------|----------------|----------------------|------------------|-------------------|--------------------|-------------|------------------|
| | Journal Dia. | Journal Length | Overall Dia. | Flange Thickness | Thread | Overall Length | Mounting Bolt Circle | Counterbore Dia. | Counterbore Depth | | Spacer Dia. | Spacer Thickness |
| FMC-250 | 0.250 | 0.375 | 1.062 | 0.281 | #10-24 | 1.016 | 0.719 | 0.281 | 0.138 | #6 | 0.375 | 0.016 |
| FMC-375 | 0.375 | 0.437 | 1.250 | 0.281 | 5/16-18 | 1.188 | 0.906 | 0.281 | 0.138 | #6 | 0.562 | 0.016 |
| FMC-500 | 0.500 | 0.625 | 1.438 | 0.281 | 7/16-14 | 1.484 | 1.094 | 0.281 | 0.138 | #6 | 0.750 | 0.016 |
| FMC-625 | 0.625 | 0.625 | 1.625 | 0.313 | 1/2-13 | 1.656 | 1.250 | 0.313 | 0.164 | #8 | 0.875 | 0.016 |
| FMC-750 | 0.750 | 0.625 | 1.875 | 0.344 | 5/8-11 | 1.844 | 1.438 | 0.375 | 0.190 | #10 | 1.000 | 0.016 |
| FMC-1000 | 1.000 | 0.625 | 2.250 | 0.406 | 7/8-9 | 2.141 | 1.750 | 0.438 | 0.250 | 0.25 | 1.250 | 0.016 |

Materials

Mount: 1215 Steel, Zinc Plated
Lock Nut: Zinc Plated Steel, Nylon Lock
Shim Spacers: Stainless Steel

Lock nut and 3 sizes of shim spacers supplied.