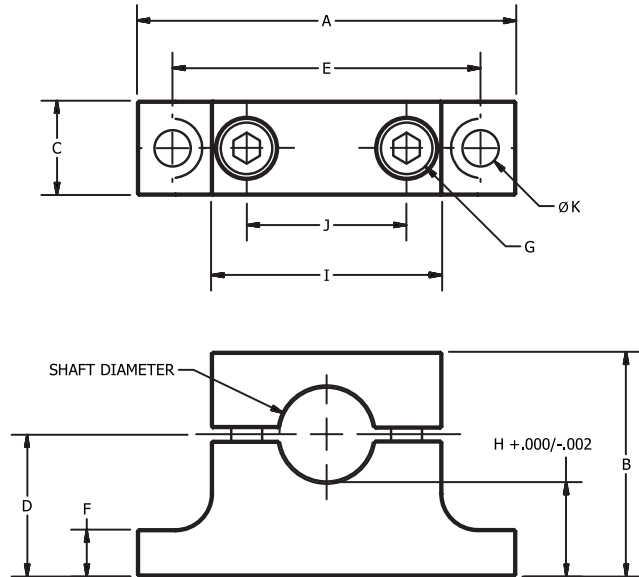
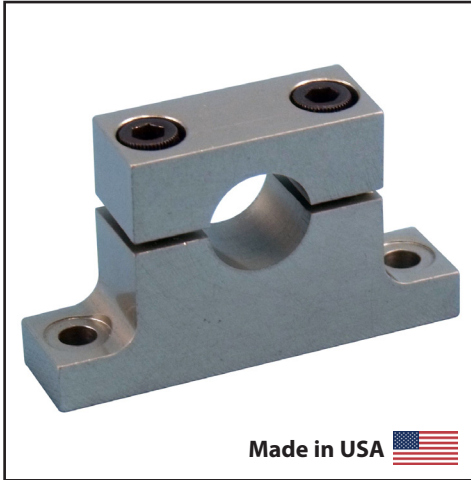


LPB

# COMPONENTS

## Easy-Access™ Shaft Supports Low Profile, Top Loading

LPB



Part Number	Shaft Dia.	A	B	C	D	E	F	G	H	I	J	K	Weight (lb)
LPB-04	0.250	1.63	0.87	0.38	0.562	1.25	0.19	#6	0.437	0.91	0.56	0.16	0.03
LPB-06	0.375	1.75	1.00	0.38	0.625	1.38	0.19	#6	0.437	1.03	0.69	0.16	0.04
LPB-08	0.500	2.00	1.19	0.50	0.750	1.63	0.25	#8	0.500	1.22	0.84	0.19	0.07
LPB-10	0.625	2.63	1.44	0.50	0.938	2.12	0.28	#10	0.625	1.53	1.03	0.22	0.11
LPB-12	0.750	2.75	1.56	0.50	1.000	2.25	0.31	#10	0.625	1.66	1.16	0.22	0.12
LPB-16	1.000	3.19	1.94	0.75	1.250	2.62	0.38	1/4	0.750	2.03	1.47	0.28	0.26
LPB-20	1.250	3.75	2.31	0.75	1.500	3.12	0.44	5/16	0.875	2.47	1.81	0.34	0.38
LPB-24	1.500	4.00	2.69	0.75	1.750	3.37	0.50	5/16	1.000	2.72	2.06	0.34	0.45
LPB-32	2.000	5.00	3.31	1.25	2.125	4.25	0.63	3/8	1.125	3.41	2.66	0.41	1.11
*LPBB-1.25CD	BLANK	3.19	1.94	0.75	1.250	2.62	0.38	#1/4"-20	---	2.03	1.47	0.28	0.28

\*User machinable for hex or square profiles or any diameter up to 1"

All dimensions are in inches

**Materials:** Aluminum, Gray Anodized  
**Fasteners:** Alloy Steel, Black Oxide RoHS Compliant

**Lowest profile available**  
**Easily customizable**

**Significant weight saving**  
**ROHS compliant**

The unique removable top design of this shaft support allows the user to easily remove the shafts, linear bearings and carriage without upsetting the position of the shaft support. This eliminates the need to reset the critical parallel alignment required in many linear shaft systems.

	Easy-Access™ Shaft Supports	Common Shaft Supports
Available shaft diameters from 1/4" to 2" and 8mm to 50mm	✓	✓
Maintains alignment while servicing shafts and bearings	✓	✗
Customs available (bore size, bore shape, material)	✓	✗
Light Weight	✓	✗
Parallel and perpendicular surfaces for easy alignment	✓	✗
Superior shaft holding strength	✓	✗
Available in Low Profile and Standard footprint sizes	✓	✗
Lowest base to shaft height available	✓	✗