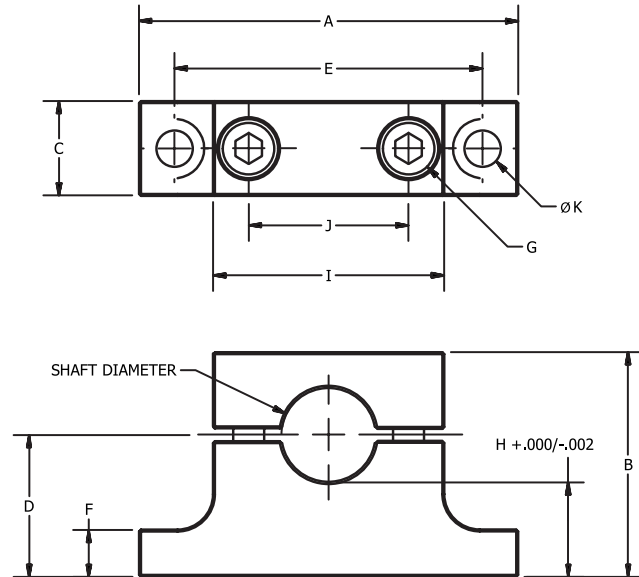
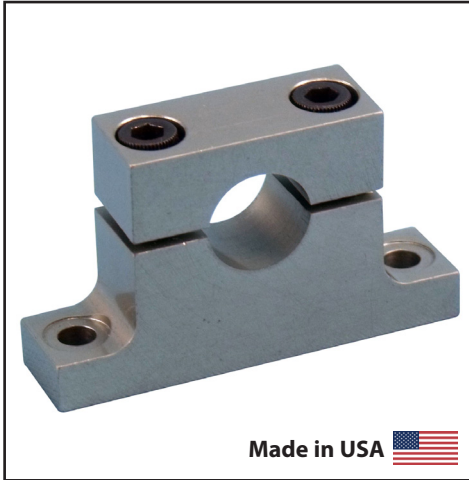


LPBM

COMPONENTS

Easy-Access™ Shaft Supports Low Profile, Top Loading

LPBM



Part #	Shaft Dia.	A	B	C	D	E	F	G	H	I	J	K
LPBM-08	8	44	21	10	12	35	4.5	M4	8.0	26	16	4.5
LPBM-10	10	46	25	12	14	38	5	M4	9.0	28	18	4.5
LPBM-12	12	48	25	12	14	40	5	M4	8.0	30	20	4.5
LPBM-16	16	62	31	13	18	50	6	M5	10.0	38	26	5.5
LPBM-20	20	65	36	13	22	54	8	M5	12.0	42	30	5.5
LPBM-25	25	80	44	19	27	66	8	M6	14.5	52	38	6.6
LPBM-30	30	96	52	19	32	78	10	M8	17.0	62	44	9
LPBM-35	35	100	60	19	34	84	10	M8	16.5	68	50	9
LPBM-40	40	108	66	19	40	90	12	M8	20.0	72	55	9
LPBM-50	50	120	75	25	45	100	12	M8	20.0	80	63	9

Materials:

Aluminum, Gray Anodized

Fasteners: Alloy Steel, Black Oxide RoHS Compliant

All dimensions are in millimeters

Lowest profile available
Easily customizable

Significant weight saving
ROHS compliant

The unique removable top design of this shaft support allows the user to easily remove the shafts, linear bearings and carriage without upsetting the position of the shaft support. This eliminates the need to reset the critical parallel alignment required in many linear shaft systems.

	Easy-Access™ Shaft Supports	Common Shaft Supports
Available shaft diameters from 1/4" to 2" and 8mm to 50mm	✓	✓
Maintains alignment while servicing shafts and bearings	✓	✗
Customs available (bore size, bore shape, material)	✓	✗
Light Weight	✓	✗
Parallel and perpendicular surfaces for easy alignment	✓	✗
Superior shaft holding strength	✓	✗
Available in Low Profile and Standard footprint sizes	✓	✗
Lowest base to shaft height available	✓	✗