

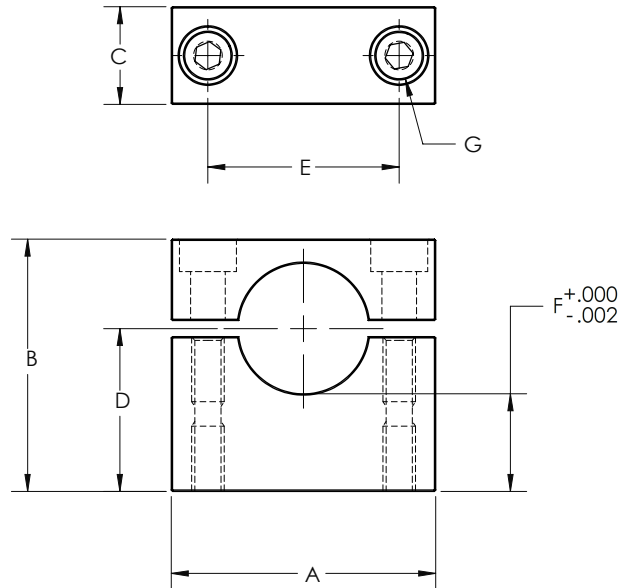
LPF

COMPONENTS

LPF

Easy-Access™ Aluminum Shaft Supports

Base Mount, Top Loading



All dimensions are in inches.

Part Number	Shaft Dia.	A	B	C	D	E	F	G	Weight (lb)
LPF-06	0.375	1.03	1.00	.38	.625	.69	.437	#6-32	0.030
LPF-08	0.500	1.22	1.19	.50	.750	.84	.500	#8-32	0.055
LPF-12	0.750	1.66	1.56	.50	1.00	1.16	.625	#10-32	0.094
LPF-16	1.000	2.03	1.94	.75	1.25	1.47	.750	#1/4-20	0.207

Materials: Aluminum, Clear Anodize
Fasteners: Alloy Steel

Lowest profile available **Significant weight saving**
Easily customizable **ROHS compliant**

The unique removable top design of this shaft support allows the user to easily remove the shafts, linear bearings and carriage without upsetting the position of the shaft support. This eliminates the need to reset the critical parallel alignment required in many linear shaft systems.

Available shaft diameters from 3/8" to 1"

Maintains alignment while servicing shafts and bearings

Customs available (bore size, bore shape, material)

Light Weight

Parallel and perpendicular surfaces for easy alignment

Superior shaft holding strength

Available in Low Profile and Standard footprint sizes

Lowest base to shaft height available

Easy-Access™ Shaft Supports	Common Shaft Supports
-----------------------------	-----------------------

✓ ✓

✓ ✗

✓ ✗

✓ ✗

✓ ✗

✓ ✗

✓ ✗

✓ ✗

ondrives.us

☎ 1-888-260-7466

📄 516-771-6444

💻 sales@ondrivesus.com

🌐 www.ondrivesus.com