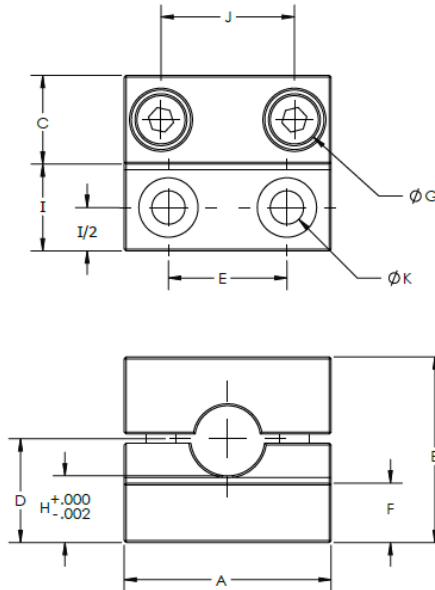
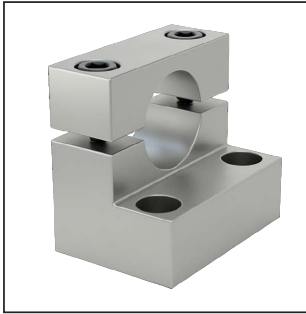


LPG

COMPONENTS

Easy-Access™ Aluminum Shaft Supports Narrow Mount, Top Loading

LPG



All dimensions are in inches

Part Number	Shaft Dia.	A	B	C	D	E	F	G	H	I	J	K	Weight (lb)
LPG-06	0.375	1.03	1.00	0.38	0.625	0.50	0.38	#6-32	.437	0.55	0.69	0.18	0.047
LPG-08	0.500	1.22	1.19	0.50	0.750	0.75	0.44	#8-32	.500	0.68	0.84	0.20	0.084
LPG-12	0.750	1.66	1.56	0.50	1.000	1.00	0.56	#10-24	.625	0.68	1.16	0.27	0.145
LPG-16	1.000	2.03	1.96	0.75	1.250	1.50	0.69	#1/4-20	.750	0.68	1.47	0.27	0.287

Materials: Aluminum, Clear Anodized
Fasteners: Alloy Steel, Black Oxide

Lowest profile available
Easy to customize

Significant weight saving
ROHS compliant

The unique removable top design of this shaft support allows the user to easily remove the shafts, linear bearings and carriage without upsetting the position of the shaft support. This eliminates the need to reset the critical parallel alignment required in many linear shaft systems.

Available shaft diameters from 3/8" to 1"

Maintains alignment while servicing shafts and bearings

Customs available (bore size, bore shape, material)

Light Weight

Parallel and perpendicular surfaces for easy alignment

Superior shaft holding strength

Lowest base to shaft height available

Easy-Access™ Shaft Supports	Common Shaft Supports
-----------------------------------	-----------------------------

✓	✓
✓	✗
✓	✗
✓	✗
✓	✗
✓	✗
✓	✗

ondrives.us

☎ 1-888-260-7466

📄 516-771-6444

💻 sales@ondrivesus.com

🌐 www.ondrivesus.com