



- Shaft to Shaft
- System protection and misalignment compensation in one device
- Torque to 500 Inch-lbs in 8 frame sizes
- 2 degree maximum backlash
- Set screw fixing
- Use as torque limiter, tensioner or overrun device

Part No.		Style	Torque (in-lb)		Capacity @50 RPM		Bore B1		Bore B2		OD (in)	OAL (in)		L1 (in) ****		L2 (in)	Min Shaft Gap (in)
Adj. Torque	Fixed Torque		Oldham (Peak)	Max Adj.	in-lb	Watts	Min	Max	Min	Max		Style 1,2,3	Style 4	Style 1,2,3	Style 4		
277.25	-	1	35	4.7	4.7	3	6mm	8mm	6mm	12mm	1.02	1.83	-	0.98	-	0.34	0.54
285.25	-	1	35	11.7	11.7	7	6mm	8mm	6mm	12mm	1.02	2.10	-	1.22	-	0.34	0.56
285.48	-	1	151	26.5	26.5	18	0.375	20mm	8mm	16mm	1.89	4.02	-	2.56	-	0.66	0.80
EAM16	EFM16	2,4	35	16	16	9	6mm	10mm	6mm	12mm	1.00	2.45	2.14	1.50	1.19	0.46	0.49
EAM24	EFM24	2,4	80	25	25	15	8mm	13mm	8mm	16mm	1.38	4.02	3.52	2.50	2.00	0.59	0.93
EAM32	EFM32	2,4	150	50	50	30	12mm	16mm	0.375"	20mm	1.63	3.94	3.37	2.44	1.87	0.70	0.80
EAM44	EFM44	2,4	265	75	75	43	12mm	16mm	0.375"	25mm	2.25	4.29	3.72	2.44	1.87	0.81	1.04
EAM52	-	3	390	500**	500***	85***	0.750"	1.250"	12mm	30mm	3.25	6.57	-	4.00	-	1.12	1.45

Notes

2 Degree maximum backlash.

Angular Misalignment: 2°, all sizes and styles.

Radial Misalignment: 0.016" (277 to 24)
0.020" (32 to 52)

Watts=Torque(Lb.in.) x RPM x Duty Cycle x .0113

1000 RPM maximum continuous speed at light load*

175°F, maximum permissible surface temperature.

HEAM version for 50% higher torque in Style 2, heat capacity is unchanged.

* Fixed torque versions are made to order, specify torque required.

** Maximum torque possible only with higher capacity Oldham disc, please inquire.

*** Maximum capacity, heat generation in watts must be taken into consideration.

**** Shaft must extend to L2 depth to properly support clutch housing.

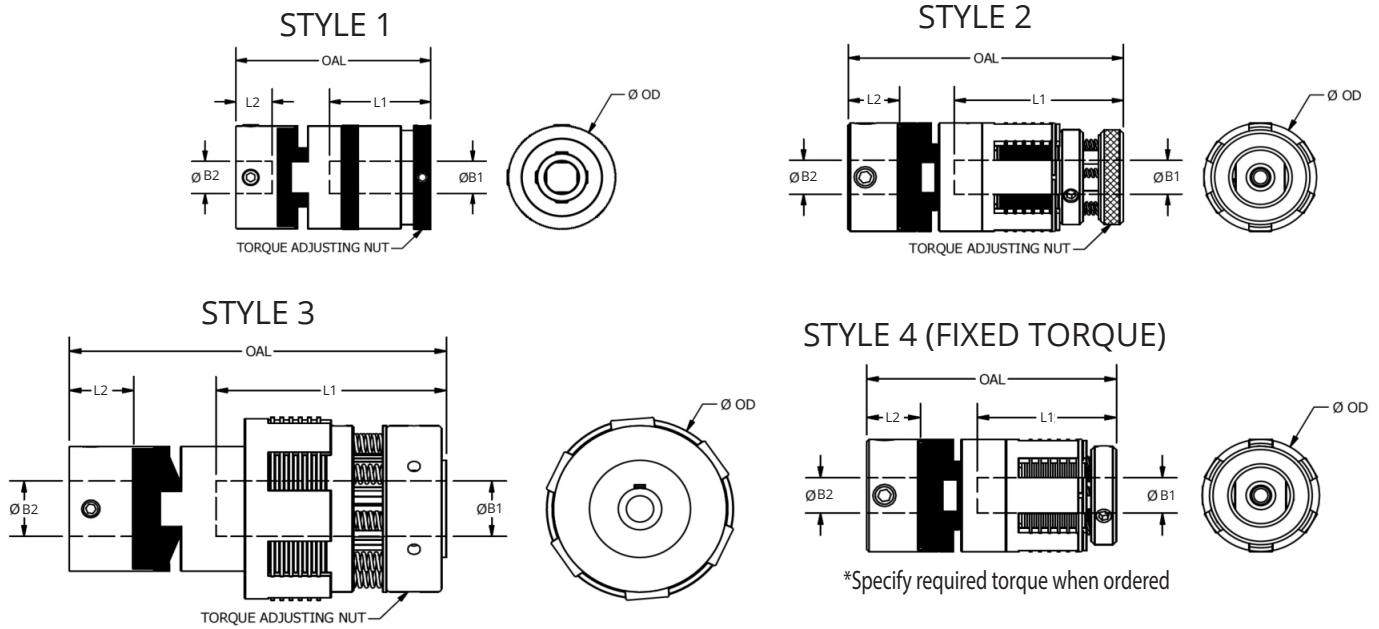
Oldham Service Factor

Duty	Factor
Momentary	1
1 hr per day	2
3 hrs per day	4
6 hrs per day	6
12 hrs per day	8

Peak Torque, select a size where Peak Torque exceeds the application torque x service factor

COUPLINGS

Oldham Coupling-Clutch



SIZE	Available Bores B1																					
	Inch										Metric											
	1/4	5/16	3/8	1/2	5/8	3/4	7/8	1"	1-1/8	1-1/4"	6	8	9	10	12	14	15	16	20	24	25	30
277.25	•	•									•	•										
285.25	•	•									•	•										
285.25			•	•	•							•	•	•	•	•	•	•				
EAM16	•	•	•								•	•										
EAM24	•	•	•	•							•	•	•	•								
EAM32	•	•	•	•	•						•	•	•	•	•	•						
EAM44	•	•	•	•	•						•	•	•	•	•	•						
EAM52				•	•	•	•	•	•	•				•	•	•	•	•	•	•	•	•
Code	24	27	31	36	41	47	50	53	55	57	22	28	30	32	35	38	40	42	48	51	52	56

SIZE	Available Bores B2																					
	Inch										Metric											
	1/4	5/16	3/8	1/2	5/8	3/4	7/8	1"	1-1/8	1-1/4"	6	8	9	10	12	14	15	16	20	24	25	30
277.25	•	•	•	•							•	•	•	•								
285.25	•	•	•	•							•	•	•	•								
285.25			•	•	•	•						•	•	•	•	•	•	•		•		
EAM16	•	•	•	•							•	•	•	•								
EAM24	•	•	•	•	•						•	•	•	•	•	•						
EAM32			•	•	•	•					•	•	•	•	•	•	•					
EAM44			•	•	•	•	•	•				•	•	•	•	•	•		•	•		
EAM52				•	•	•	•	•	•	•				•	•	•	•	•	•	•	•	•
Code	24	27	31	36	41	47	50	53	55	57	22	28	30	32	35	48	40	42	48	51	52	56