

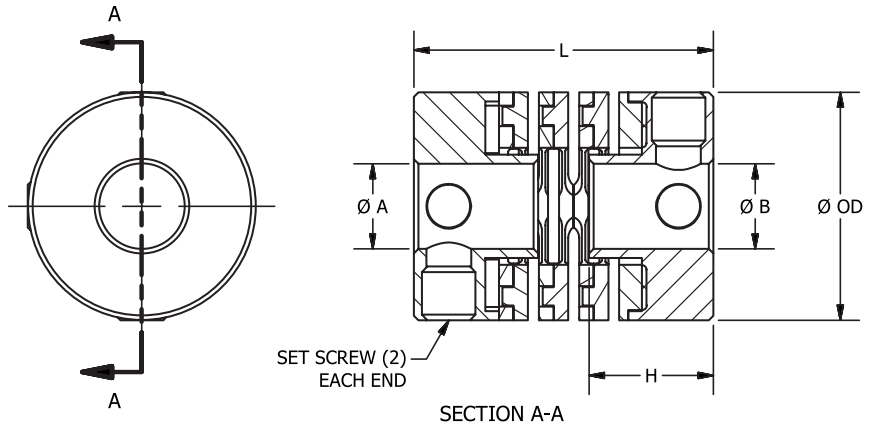
LCSP

COUPLINGS

LCSP

Servo-Beam™

Flexibility of a bellows coupling with torsional stiffness and strength of a disc coupling



Short version, 5° angular misalignment, engineered polymer beams, 6061 Aluminum hubs

Part Number	OD (in)	L (in)	Inch or Metric Bore		H (in)	Set Screw	Max Torque (in-lb)	Misalignment			Max RPM	Weight (oz)	Torsional Stiffness (in-lb/deg)
			Min	Max				Axial (in)	Radial (in)	Angular			
LCSP.13	0.500	0.625	0.125"	5mm	0.272	M3x0.5	5	0.006	0.003	5°	10000	0.30	1.0
LCSP.25	1.000	1.000	6mm	0.437"	0.325	M4x0.7	20	0.008	0.005	5°	7500	0.50	8.3
LCSP.38	1.500	1.500	0.375"	16mm	0.525	M5x0.8	50	0.013	0.007	5°	5000	1.67	28
LCSP.51	2.000	2.000	0.500"	0.750"	0.625	M6x1.0	120	0.014	0.007	5°	3750	3.75	67
LCSP.63	2.500	2.500	0.625"	1.000"	0.750	M8x1.25	200	0.014	0.007	5°	3750	6.25	129

Example of part number with bore codes LCSP.51.4146 (size 51 short version with 5/8" x 19mm bores) Made in USA

SIZE	AVAILABLE BORES LCSP																												
	INCH												METRIC																
	1/8	3/16	1/4	5/16	3/8	1/2	5/8	3/4	7/8	1	1-1/8	1-1/4	4	5	6	8	10	11	12	14	15	16	18	19	20	24	25	30	32
13															
25														
38													
51												
63						
Code	16	19	24	27	31	36	41	47	50	53	55	57	14	20	22	28	32	33	35	38	40	42	45	46	48	51	52	56	58

Ondrives Servo-Beam™ should be your coupling choice:
 5° angular compensation
 Zero backlash
 Replace Bellows coupling, save up to 50%
 Engineered polymer beams
 Aluminum hubs
 RPM up to 10,000
 Torque to 200 in-lbs

CAD files on our website
 On-Line Ordering Available
Made in USA

Testing in your application is necessary. You will need to assess duty cycles and confirm suitability with your own calculations. All figures listed are to be used for guidance only.

ondrives.us

1-888-260-7466
 516-771-6444

sales@ondrivesus.com
 www.ondrivesus.com