

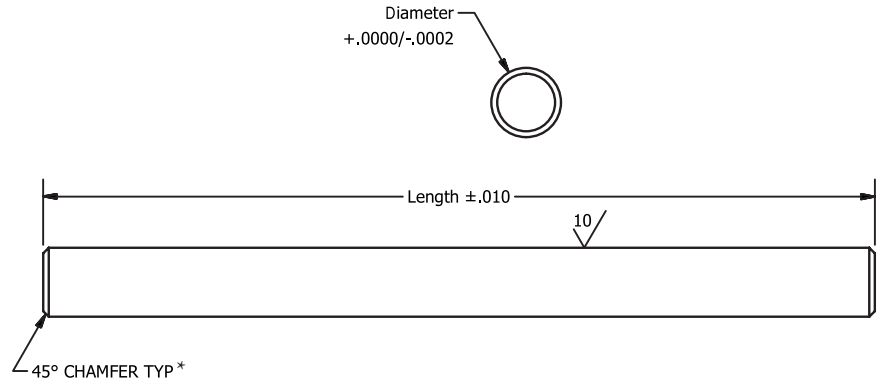
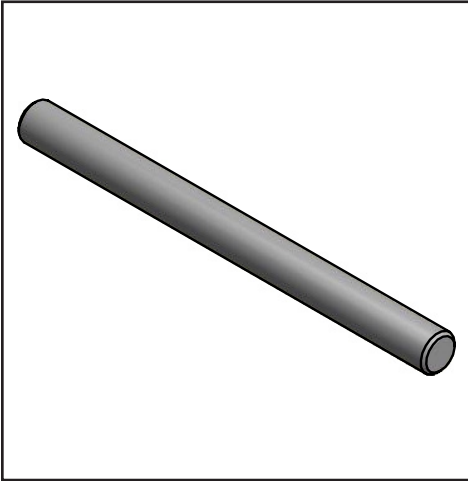
DGS

# FASTENERS

DGS

## Dowel Pins - Ball Bearing Toleranced

Precision Ground 303 Stainless Steel



Length	Diameter					
	-0.0002	-0.0002	-0.0002	-0.0002	-0.0002	-0.0002
	0.1247	0.1872	0.2497	0.3122	0.3747	0.4997
1.000	DGS2-10	DGS3-10	DGS4-10			
1.125	DGS2-11	DGS3-11	DGS4-11			
1.250	DGS2-12	DGS3-12	DGS4-12			
1.375	DGS2-13	DGS3-13	DGS4-13	DGS5-13		
1.500	DGS2-15	DGS3-15	DGS4-15	DGS5-15		
1.625	DGS2-16	DGS3-16	DGS4-16	DGS5-16		
1.750	DGS2-17	DGS3-17	DGS4-17	DGS5-17		
1.875	DGS2-18	DGS3-18	DGS4-18	DGS5-18	DGS6-18	
2.000	DGS2-20	DGS3-20	DGS4-20	DGS5-20	DGS6-20	DGS8-20
2.125			DGS4-21	DGS5-21	DGS6-21	DGS8-21
2.250			DGS4-22	DGS5-22	DGS6-22	DGS8-22
2.375			DGS4-23	DGS5-23	DGS6-23	DGS8-23
2.500			DGS4-25	DGS5-25	DGS6-25	DGS8-25
2.625					DGS6-26	DGS8-26
2.750					DGS6-27	DGS8-27
2.875					DGS6-28	DGS8-28
3.000					DGS6-30	DGS8-30

Longer lengths of Ball Bearing Toleranced pins are IN STOCK, see SHAFTING.

Special sizes and materials are available, please ask.

**ondrives.us**

☎ 1-888-260-7466

📄 516-771-6444

💻 sales@ondrivesus.com

🌐 www.ondrivesus.com