

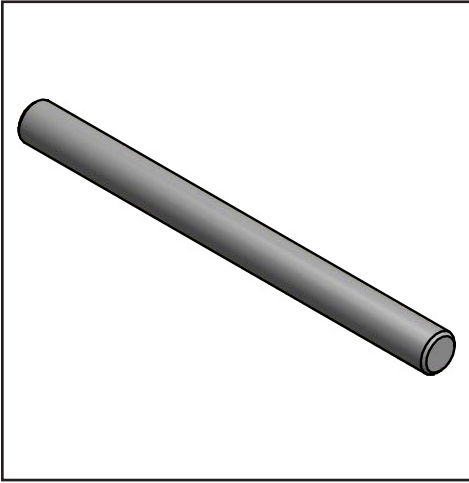
GS

DOWEL PINS

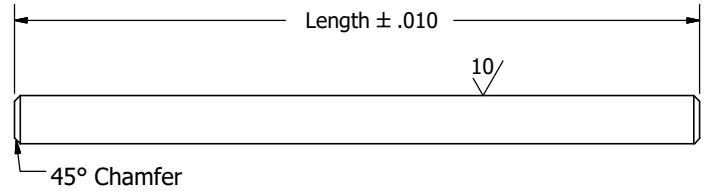
Dowel Pins - Ball Bearing Toleranced

Precision Ground - 303 Stainless Steel

GS



Diameter
+.0000
-.0002



Length	Diameter					
	0.1247 +.0000/-0.0002	0.1872 +.0000/-0.0002	0.2497 +.0000/-0.0002	0.3122 +.0000/-0.0002	0.3747 +.0000/-0.0002	0.4997 +.0000/-0.0002
1.000	GS1247-10	GS1872-10	GS2497-10			
1.125	GS1247-11	GS1872-11	GS2497-11			
1.250	GS1247-12	GS1872-12	GS2497-12			
1.375	GS1247-13	GS1872-13	GS2497-13	GS3122-13		
1.500	GS1247-15	GS1872-15	GS2497-15	GS3122-15		
1.625	GS1247-16	GS1872-16	GS2497-16	GS3122-16		
1.750	GS1247-17	GS1872-17	GS2497-17	GS3122-17		
1.875	GS1247-18	GS1872-18	GS2497-18	GS3122-18	GS3747-18	
2.000	GS1247-20	GS1872-20	GS2497-20	GS3122-20	GS3747-20	GS4997-20
2.125			GS2497-21	GS3122-21	GS3747-21	GS4997-21
2.250			GS2497-22	GS3122-22	GS3747-22	GS4997-22
2.375			GS2497-23	GS3122-23	GS3747-23	GS4997-23
2.500			GS2497-25	GS3122-25	GS3747-25	GS4997-25
2.625					GS3747-26	GS4997-26
2.750					GS3747-27	GS4997-27
2.875					GS3747-28	GS4997-28
3.000					GS3747-30	GS4997-30

Longer lengths of Ball Bearing Toleranced pins are IN STOCK, see SHAFTING.

Special sizes and materials are available, please ask.

ondrives.us

☎ 1-888-260-7466

📄 516-771-6444

💻 sales@ondrivesus.com

🌐 www.ondrivesus.com