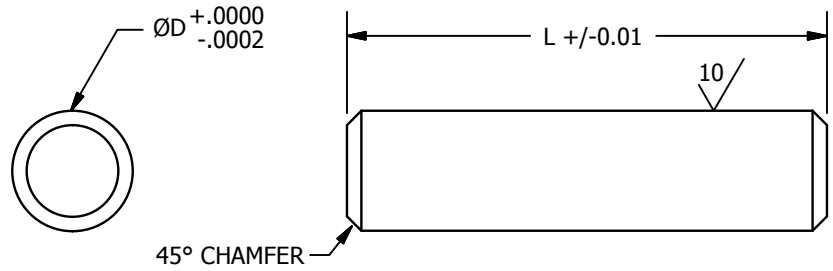
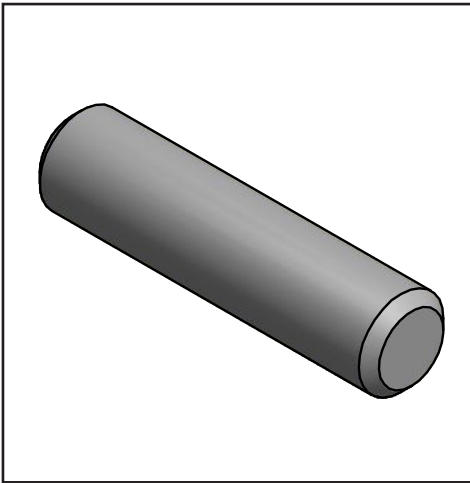


DP

# DOWEL PINS

DP

**PRECISION - Slip Fit**  
303 Stainless Steel - Inch



**Inch - 303 Stainless Steel - Slip Fit**

All dimensions in inches

| Length L | Diameter D $\begin{matrix} +.0000 \\ -.0002 \end{matrix}$ |          |         |          |          |          |          |           |           |           |           |           |
|----------|---|----------|---------|----------|----------|----------|----------|-----------|-----------|-----------|-----------|-----------|
|          | .0313   | .0626    | .0781   | .0938    | .1251    | .1562    | .1875    | .2187     | .2500     | .3125     | .3750     | .5000     |
| 3/32     | DP2-093   | DP3-093  | ----    | DP4-093  | DP5-093  | DP8-093  | ----     | ----      | ----      | ----      | ----      | ----      |
| 1/8      | DP2-125   | DP3-125  | DP7-125 | DP4-125  | DP5-125  | DP8-125  | ----     | ----      | ----      | ----      | ----      | ----      |
| 5/32     | DP2-156   | DP3-156  | DP7-156 | DP4-156  | DP5-156  | DP8-156  | ----     | ----      | ----      | ----      | ----      | ----      |
| 3/16     | DP2-187   | DP3-187  | DP7-187 | DP4-187  | DP5-187  | DP8-187  | DP9-187  | ----      | ----      | ----      | ----      | ----      |
| 7/32     | DP2-218   | DP3-218  | ----    | DP4-218  | DP5-218  | DP8-218  | ----     | ----      | ----      | ----      | ----      | ----      |
| 1/4      | DP2-250   | DP3-250  | DP7-250 | DP4-250  | DP5-250  | DP8-250  | DP9-250  | ----      | ----      | ----      | ----      | ----      |
| 5/16     | DP2-312   | DP3-312  | DP7-312 | DP4-312  | DP5-312  | DP8-312  | DP9-312  | DP10-312  | ----      | ----      | ----      | ----      |
| 3/8      | DP2-375   | DP3-375  | DP7-375 | DP4-375  | DP5-375  | DP8-375  | DP9-375  | DP10-375  | DP11-375  | DP12-375  | ----      | ----      |
| 7/16     | DP2-437   | DP3-437  | DP7-437 | DP4-437  | DP5-437  | DP8-437  | DP9-437  | DP10-437  | DP11-437  | DP12-437  | ----      | ----      |
| 1/2      | DP2-500   | DP3-500  | DP7-500 | DP4-500  | DP5-500  | DP8-500  | DP9-500  | DP10-500  | DP11-500  | DP12-500  | ----      | ----      |
| 5/8      | DP2-625   | DP3-625  | DP7-625 | DP4-625  | DP5-625  | DP8-625  | DP9-625  | DP10-625  | DP11-625  | DP12-625  | DP13-625  | ----      |
| 3/4      | DP2-750   | DP3-750  | ----    | DP4-750  | DP5-750  | DP8-750  | DP9-750  | DP10-750  | DP11-750  | DP12-750  | DP13-750  | DP14-750  |
| 7/8      | DP2-875   | DP3-875  | ----    | DP4-875  | DP5-875  | DP8-875  | DP9-875  | DP10-875  | DP11-875  | DP12-875  | DP13-875  | DP14-875  |
| 1        | DP2-1000  | DP3-1000 | ----    | DP4-1000 | DP5-1000 | DP8-1000 | DP9-1000 | DP10-1000 | DP11-1000 | DP12-1000 | DP13-1000 | DP14-1000 |
| 1-1/4    | ----  | ----     | ----    | DP4-1250 | DP5-1250 | ----     | ----     | ----      | DP11-1250 | DP12-1250 | DP13-1250 | DP14-1250 |
| 1-1/2    | ----  | ----     | ----    | ----     | ----     | ----     | ----     | ----      | DP11-1500 | DP12-1500 | DP13-1500 | DP14-1500 |
| 1-3/4    | ----  | ----     | ----    | ----     | ----     | ----     | ----     | ----      | DP11-1750 | DP12-1750 | DP13-1750 | DP14-1750 |
| 2        | ----  | ----     | ----    | ----     | ----     | ----     | ----     | ----      | DP11-2000 | DP12-2000 | DP13-2000 | DP14-2000 |

3D CAD Models available and Product Parameter Search on our website at [www.Ondrives.US](http://www.Ondrives.US)

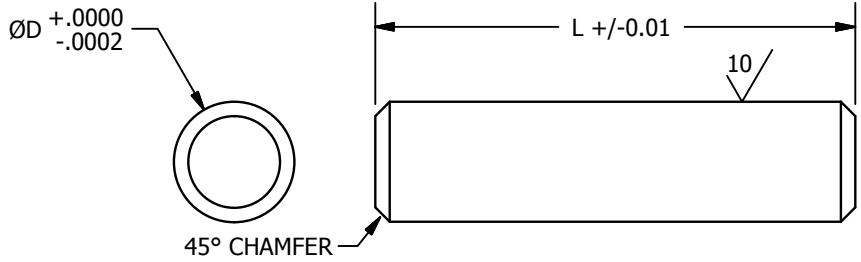
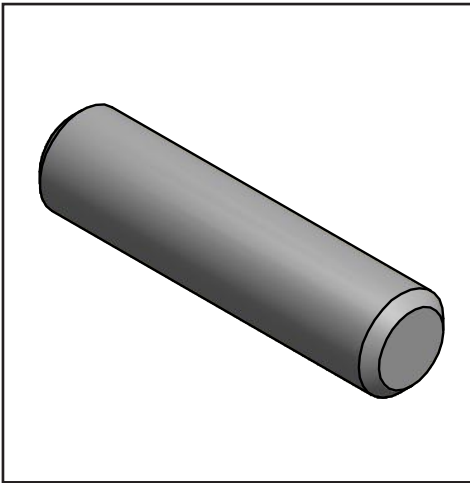
DP

# DOWEL PINS

## PRECISION - Interference Fit

303 Stainless Steel - Inch

DP



Inch - 303 Stainless Steel - Interference Fit

All dimensions in inches

| Length L | Diameter D $\begin{matrix} +.0000 \\ -.0002 \end{matrix}$ |           |          |           |           |          |           |           |           |           |           |
|----------|---|-----------|----------|-----------|-----------|----------|-----------|-----------|-----------|-----------|-----------|
|          | .0315   | .0628     | .0783    | .0940     | .1253     | .1564    | .1877     | .2502     | .3127     | .3752     | .5002     |
| 3/32     | DP40-093  | DP41-093  | ---      | DP43-093  | ---       | ---      | ---       | ---       | ---       | ---       | ---       |
| 1/8      | DP40-125  | DP41-125  | ---      | DP43-125  | DP44-125  | ---      | ---       | ---       | ---       | ---       | ---       |
| 5/32     | DP40-156  | DP41-156  | DP42-156 | DP43-156  | DP44-156  | ---      | ---       | ---       | ---       | ---       | ---       |
| 3/16     | DP40-187  | DP41-187  | DP42-187 | DP43-187  | DP44-187  | DP45-187 | DP46-187  | ---       | ---       | ---       | ---       |
| 7/32     | DP40-218  | DP41-218  | ---      | DP43-218  | DP44-218  | ---      | ---       | ---       | ---       | ---       | ---       |
| 1/4      | DP40-250  | DP41-250  | DP42-250 | DP43-250  | DP44-250  | DP45-250 | DP46-250  | ---       | ---       | ---       | ---       |
| 5/16     | DP40-312  | DP41-312  | DP42-312 | DP43-312  | DP44-312  | DP45-312 | DP46-312  | ---       | ---       | ---       | ---       |
| 3/8      | DP40-375  | DP41-375  | DP42-375 | DP43-375  | DP44-375  | DP45-375 | DP46-375  | DP47-375  | ---       | ---       | ---       |
| 7/16     | DP40-437  | DP41-437  | ---      | DP43-437  | DP44-437  | DP45-437 | DP46-437  | DP47-437  | ---       | ---       | ---       |
| 1/2      | DP40-500  | DP41-500  | ---      | DP43-500  | DP44-500  | DP45-500 | DP46-500  | DP47-500  | DP48-500  | ---       | ---       |
| 5/8      | DP40-625  | DP41-625  | ---      | DP43-625  | DP44-625  | DP45-625 | DP46-625  | DP47-625  | ---       | ---       | ---       |
| 3/4      | DP40-750  | DP41-750  | ---      | DP43-750  | DP44-750  | ---      | DP46-750  | DP47-750  | DP48-750  | DP49-750  | DP50-750  |
| 7/8      | DP40-875  | DP41-875  | ---      | DP43-875  | DP44-875  | ---      | DP46-875  | DP47-875  | ---       | ---       | ---       |
| 1        | DP40-1000   | DP41-1000 | ---      | DP43-1000 | DP44-1000 | ---      | DP46-1000 | DP47-1000 | DP48-1000 | DP49-1000 | DP50-1000 |
| 1-1/8    | ---   | ---       | ---      | ---       | DP44-1125 | ---      | DP46-1125 | ---       | ---       | ---       | ---       |
| 1-1/4    | ---   | ---       | ---      | ---       | ---       | ---      | DP46-1250 | DP47-1250 | DP48-1250 | DP49-1250 | ---       |
| 1-1/2    | ---   | ---       | ---      | ---       | ---       | ---      | DP46-1500 | DP47-1500 | ----      | ----      | ----      |

3D CAD Models available and Product Parameter Search on our website at [www.Ondrives.US](http://www.Ondrives.US)