

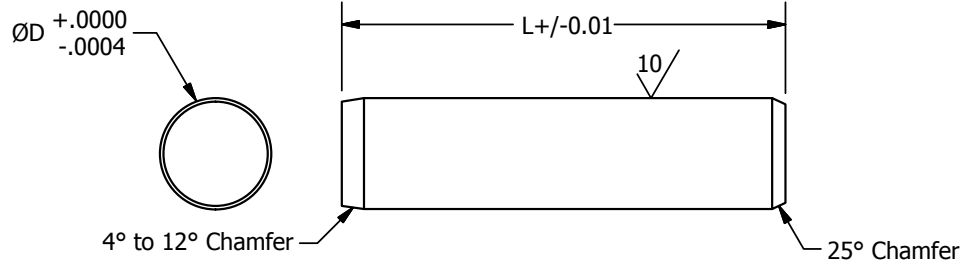
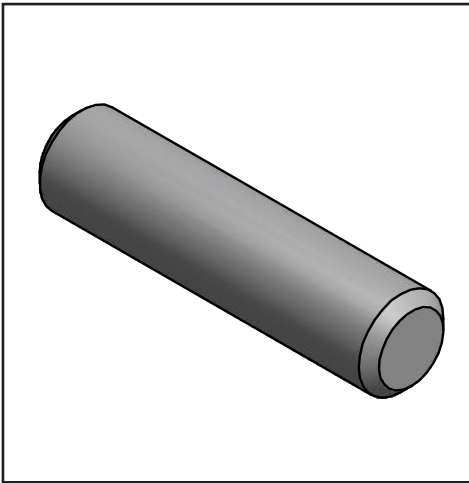
DP

# DOWEL PINS

## PRECISION - Interference Fit

DP

416 Stainless Steel - Inch



## Inch - 416 Stainless Steel - Interference Fit

Hardness - RC 36-42

Length L	Diameter D +.0000/-0.0002							
	.0628	.0941	.1253	.1565	.1878	.2503	.3128	.3753
3/16	DP15-187	DP16-187	DP17-187	---	---	---	---	---
1/4	DP15-250	DP16-250	DP17-250	---	---	---	---	---
5/16	DP15-312	DP16-312	DP17-312	---	---	---	---	---
3/8	DP15-375	DP16-375	DP17-375	DP18-375	DP19-375	---	---	---
7/16	DP15-437	DP16-437	DP17-437	DP18-437	DP19-437	DP20-437	---	---
1/2	DP15-500	DP16-500	DP17-500	DP18-500	DP19-500	DP20-500	DP21-500	---
5/8	DP15-625	DP16-625	DP17-625	DP18-625	DP19-625	DP20-625	DP21-625	---
3/4	DP15-750	DP16-750	DP17-750	DP18-750	DP19-750	DP20-750	DP21-750	---
7/8	DP15-875	DP16-875	DP17-875	DP18-875	DP19-875	DP20-875	DP21-875	DP22-750
1	DP15-1000	DP16-1000	DP17-1000	DP18-1000	DP19-1000	DP20-1000	DP21-1000	DP22-1000
1-1/4	---	---	DP17-1250	---	DP19-1250	DP20-1250	DP21-1250	DP22-1250
1-1/2	---	---	---	---	DP19-1500	DP20-1500	DP21-1500	DP22-1500
1-3/4	---	---	---	---	---	DP20-1750	---	---
2	---	---	---	---	---	DP20-2000	---	DP22-2000

All dimensions in inches

3D CAD Models available and Product Parameter Search on our website at [www.Ondrives.US](http://www.Ondrives.US)

1-888-260-7466  
516-771-6444

sales@ondrivesus.com  
www.ondrivesus.com