

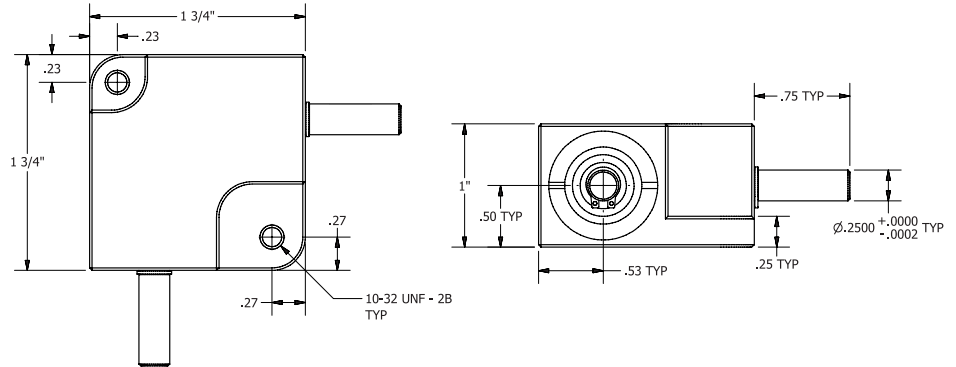
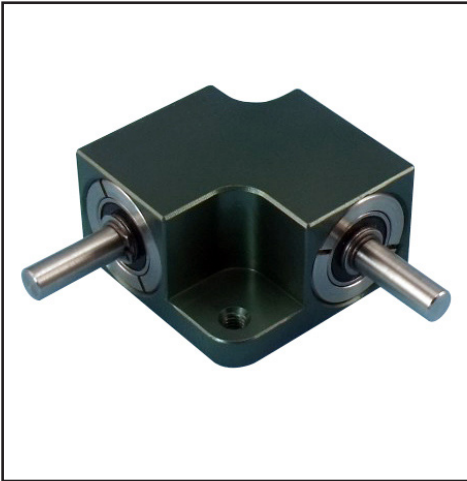
BG24

GEARBOXES

BG24

1:1 Gearboxes

Uniquely rated so you can balance Torque to RPM to Life

**BGH24-1 + BGH24-1A (Low Backlash)**

LIFETIME (hrs) as a FUNCTION of RPM & TORQUE						
Torque	RPM					
	50	100	200	500	1000	2000
6	20,000	20,000	20,000	20,000	20,000	20,000
7	20,000	20,000	20,000	20,000	20,000	16,000
8	20,000	20,000	20,000	10,500	4,500	1,800
9	20,000	10,000	4,600	1,650	750	340
10	9,100	4,500	2,150	810	480	175
11	4,900	2,400	1,200	430	200	90
12	2,700	1,330	640	240	110	50

2,000 RPM Maximum
Standard Backlash of 1°

Additional Information

Calculations are based on an application factor of 1.25. They apply to a medium impact drive turning a uniform load or a uniform drive turning a moderate impact load. Life Time figures shown are for guidance only. Testing in your application is required. You will need to assess duty cycles and confirm suitability with your own calculations.

Torque from 6 to 19 inch* pounds

Application rated for optimum operation and cost
You can balance Torque to RPM and Operating Life
Backlash 1°

Low Backlash 1/2°**Weight of only 0.46 lb.****RPM to 3,000****Temp range -5° F to +175° F, -40° F grease optional****Made in USA with American CNC machines Materials**

303 Stainless Steel Shafts

Anodized Aluminum Housing

Sealed Steel Ball Bearings

Greased for life: Shell Alvania EP2. Cold temp. grease optional

Exclusive 24 Month Warranty!**See our website for CAD files****ondrives.us**

☎ 1-888-260-7466

📄 516-771-6444

💻 sales@ondrivesus.com

🌐 www.ondrivesus.com