

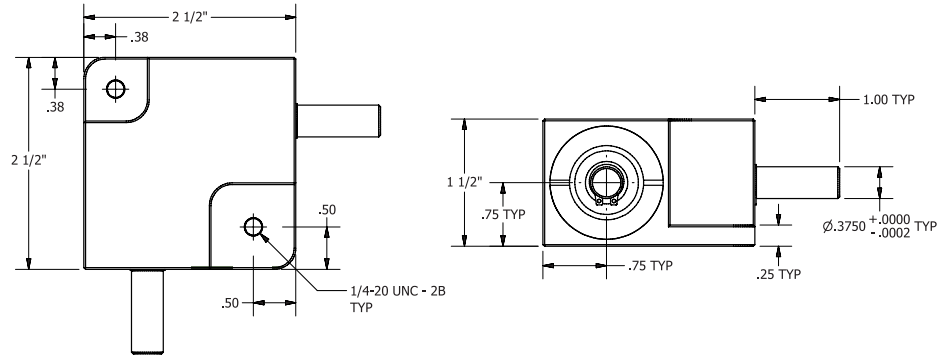
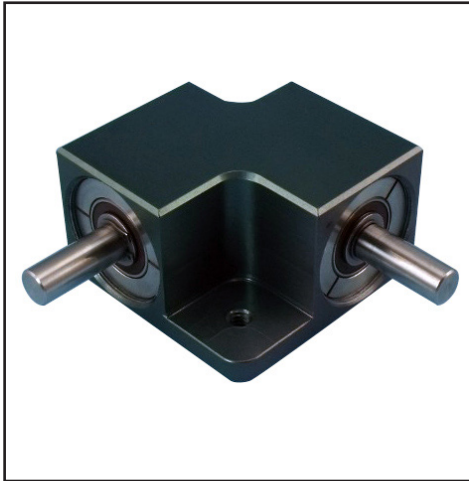
BG31

GEARBOXES

BG31

1:1 Gearboxes

Uniquely rated so you can balance Torque to RPM to Life



BGH31-1 + BGH31-1A (Low Backlash)

| LIFETIME (hrs) as a FUNCTION of RPM & TORQUE | | | | | | | |
|--|--------|--------|--------|--------|--------|--------|--|
| Torque | RPM | | | | | | |
| In-lb | 50 | 100 | 200 | 500 | 1000 | 2000 | |
| 13 | 20,000 | 20,000 | 20,000 | 20,000 | 20,000 | 20,000 | |
| 14 | 20,000 | 20,000 | 20,000 | 20,000 | 19,000 | 7,500 | |
| 15 | 20,000 | 20,000 | 20,000 | 15,000 | 6,200 | 2,450 | |
| 16 | 20,000 | 20,000 | 15,500 | 5,300 | 2,200 | 850 | |
| 17 | 20,000 | 12,500 | 5,800 | 1,950 | 825 | 375 | |
| 18 | 13,800 | 6,750 | 3,100 | 1,200 | 560 | 250 | |
| 19 | 9,600 | 4,700 | 2,280 | 850 | 395 | 180 | |
| 20 | 6,900 | 3,300 | 1,620 | 600 | 280 | 125 | |

2,000 RPM Maximum
Standard Backlash of 1°

Additional Information

Calculations are based on an application factor of 1.25. They apply to a medium impact drive turning a uniform load or a uniform drive turning a moderate impact load. Life Time figures shown are for guidance only. Testing in your application is required. You will need to assess duty cycles and confirm suitability with your own calculations.

BGSH31-1 + BGSH31-1A (Low Backlash)

| LIFETIME (hrs) as a FUNCTION of RPM & TORQUE | | | | | | | | |
|--|--------|--------|--------|--------|--------|--------|--------|--|
| Torque | RPM | | | | | | | |
| In-lb | 50 | 100 | 200 | 500 | 1000 | 2000 | 3000 | |
| 25 | 20,000 | 20,000 | 20,000 | 20,000 | 20,000 | 20,000 | 20,000 | |
| 26 | 20,000 | 20,000 | 20,000 | 20,000 | 20,000 | 20,000 | 12,000 | |
| 27 | 20,000 | 20,000 | 20,000 | 20,000 | 20,000 | 12,000 | 6,700 | |
| 28 | 20,000 | 20,000 | 20,000 | 20,000 | 17,600 | 6,800 | 3,700 | |
| 29 | 20,000 | 20,000 | 20,000 | 20,000 | 10,000 | 3,800 | 2,100 | |
| 30 | 20,000 | 20,000 | 20,000 | 14,000 | 5,800 | 2,200 | 1,200 | |
| 31 | 20,000 | 20,000 | 20,000 | 8,200 | 3,300 | 1,250 | 700 | |
| 32 | 20,000 | 20,000 | 15,000 | 4,900 | 2,000 | 760 | 340 | |

3,000 RPM Maximum
Standard Backlash of 1° 1/2° Backlash Available

Torque from 13 to 32 inch*pounds

Application rated for optimum operation and cost
You can balance Torque to RPM and Operating Life
Backlash 1°

Low Backlash 1/2°

Weight of only 1.35 lb.

RPM to 3,000

Temp range -5° F to +175° F, -40° F grease optional

Made in USA with American CNC machines

Materials

303 Stainless Steel Shafts
Anodized Aluminum Housing
Sealed Steel Ball Bearings
Greased for life: Shell Alvania EP2. Cold temp. grease optional

Exclusive 24 Month Warranty!

See our website for CAD files