

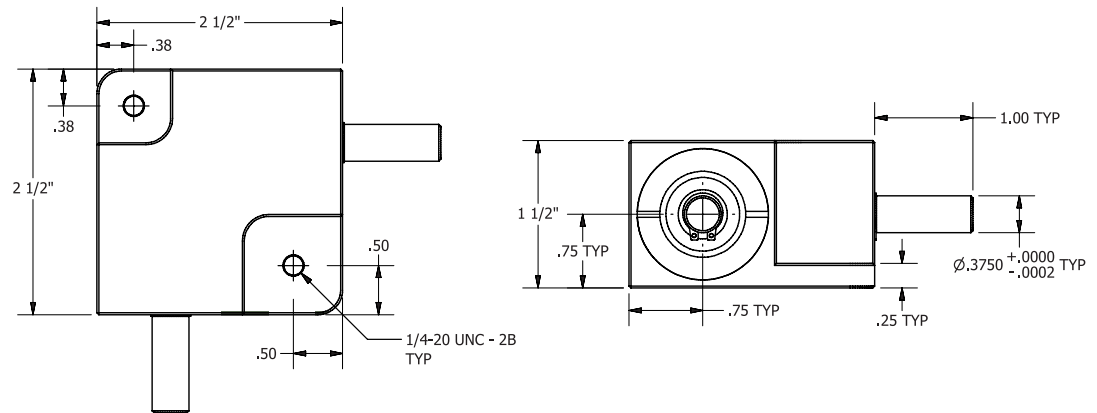
BGH31

GEARBOXES

BGH31

1:1 Gearboxes

Uniquely rated so you can balance Torque to RPM to Life

**BGH31-1 + BGH31-1A (Low Backlash)**

LIFETIME (hrs) as a FUNCTION of RPM & TORQUE							
Torque	RPM						
In-lb	50	100	200	500	1000	2000	
13	20,000	20,000	20,000	20,000	20,000	20,000	
14	20,000	20,000	20,000	20,000	19,000	7,500	
15	20,000	20,000	20,000	15,000	6,200	2,450	
16	20,000	20,000	15,500	5,300	2,200	850	
17	20,000	12,500	5,800	1,950	825	375	
18	13,800	6,750	3,100	1,200	560	250	
19	9,600	4,700	2,280	850	395	180	
20	6,900	3,300	1,620	600	280	125	

2,000 RPM Maximum
Standard Backlash of 1°

Additional Information

Calculations are based on an application factor of 1.25. They apply to a medium impact drive turning a uniform load or a uniform drive turning a moderate impact load. Life Time figures shown are for guidance only. Testing in your application is required. You will need to assess duty cycles and confirm suitability with your own calculations.

BGSH31-1 + BGSH31-1A (Low Backlash)

LIFETIME (hrs) as a FUNCTION of RPM & TORQUE								
Torque	RPM							
In-lb	50	100	200	500	1000	2000	3000	
25	20,000	20,000	20,000	20,000	20,000	20,000	20,000	
26	20,000	20,000	20,000	20,000	20,000	20,000	12,000	
27	20,000	20,000	20,000	20,000	20,000	12,000	6,700	
28	20,000	20,000	20,000	20,000	17,600	6,800	3,700	
29	20,000	20,000	20,000	20,000	10,000	3,800	2,100	
30	20,000	20,000	20,000	14,000	5,800	2,200	1,200	
31	20,000	20,000	20,000	8,200	3,300	1,250	700	
32	20,000	20,000	15,000	4,900	2,000	760	340	

3,000 RPM Maximum
Standard Backlash of 1° 1/2° Backlash Available

Torque from 13 to 32 inch*pounds

Application rated for optimum operation and cost
You can balance Torque to RPM and Operating Life
Backlash 1°

Low Backlash 1/2°**Weight of only 1.35 lb.****RPM to 3,000****Temp range -5° F to +175° F, -40° F grease optional****Made in USA with American CNC machines****Materials**

303 Stainless Steel Shafts
Anodized Aluminum Housing
Sealed Steel Ball Bearings
Greased for life: Shell Alvania EP2. Cold temp. grease optional

Exclusive 24 Month Warranty!**See our website for CAD files****ondrives.us**

☎ 1-888-260-7466

📄 516-771-6444

💻 sales@ondrivesus.com

🌐 www.ondrivesus.com