

E60

GEARBOXES

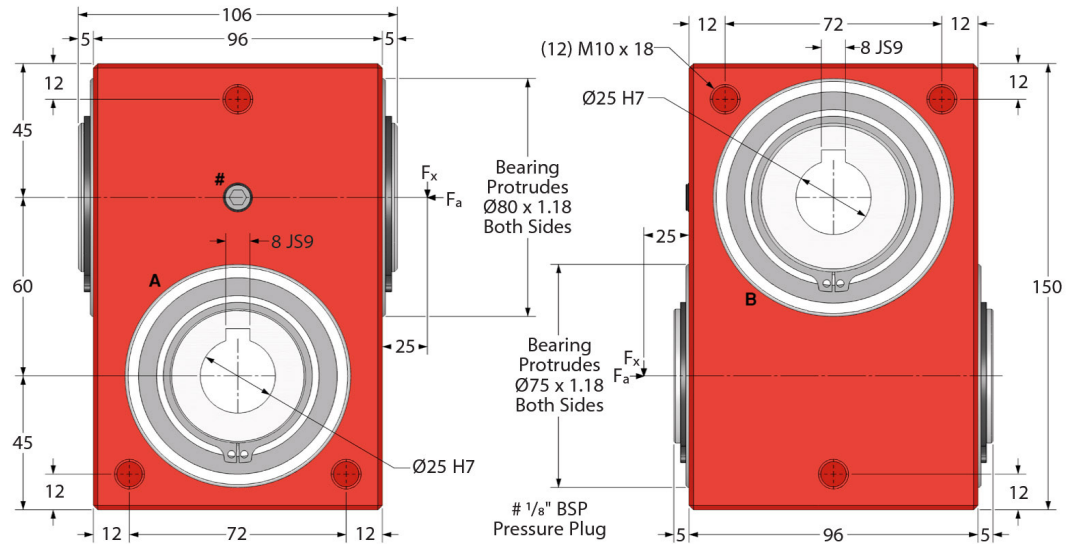
E60

Right Angle Helical Reducers

Heavy Duty 25mm Bores 4.5 – 62 Nm **1:1 - 40:1**



1/8" BSP Pressure Plug fitted one face only.
Will protrude Ø10 x 5 high approx.
Actual height will vary



Part Number	Ratio	Type	Input Face	Efficiency at 1000 Rpm	Max Input Speed	Reflected Inertia at Input (kg.m ²)	Self Locking Output	
E60-1	1:1	Helical	B	94%	3,000	1.319 x 10 ⁻³	✗	
E60-2	2:1	Helical	A	92%	3,000	6.507 x 10 ⁻⁴	✗	
E60-3	3:1	Helical	A	91%	3,000	5.111 x 10 ⁻⁴	✗	
E60-4	4:1	Helical	A	90%	3,000	5.543 x 10 ⁻⁴	✗	
E60-5	5:1	Helical	A	80%	3,000	5.489 x 10 ⁻⁴	✗	
E60-8	8:1	Wormwheel	A	80%	1,500	4.951 x 10 ⁻⁴	✗	
E60-10	10:1	Wormwheel	A	73%	1,500	4.911 x 10 ⁻⁴	✗	
E60-20	20:1	Wormwheel	A	67%	1,500	4.859 x 10 ⁻⁴	✓	
E60-40	40:1	Wormwheel	A	60%	1,500	4.846 x 10 ⁻⁴	✓	
E60-SP	1:1 - 40:1	Special Ratios : Replace SP with required ratio						
E60-SPA	1:1 - 40:1	Low Backlash ≤30' : Replace SP with required ratio						
E60-SPLH	1:1 - 40:1	Left Hand Helicals : Replace SP with required ratio						

Testing in your application is necessary.
You will need to assess duty cycles and confirm
gearbox suitability with your own calculations.
All figures listed are to be used for guidance only.

Output Torque Nm

RPM Input	Reduction Ratio									
	1:1	2:1	3:1	4:1	5:1	8:1	10:1	20:1	40:1	
3000	4.5	4.5	4.5	4.5	4.5	-	-	-	-	
2000	5.5	5.5	5.5	5.5	5.5	-	-	-	-	
1000	8.0	8.0	8.0	8.0	8.0	17.8	21.3	22.0	24.0	
500	10.0	10.0	10.0	10.0	10.0	27.0	29.0	31.0	34.0	
100	16.0	16.0	16.0	16.0	16.0	37.0	40.2	42.0	44.0	
50	20.0	20.0	20.0	20.0	20.0	48.0	49.0	50.0	51.0	
10	24.0	24.0	24.0	24.0	24.0	60.0	60.0	61.0	62.0	

ondrives.us

516-771-6777

www.ondrives.us

sales@ondrives.us

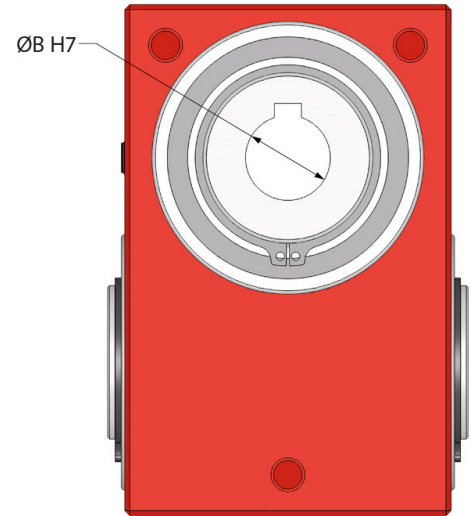
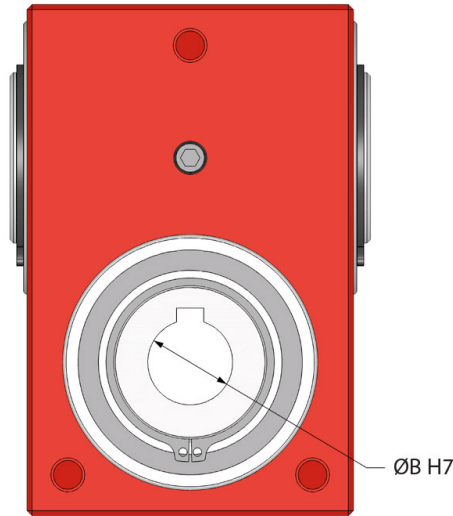
E60

GEARBOXES

E60

Right Angle Helical Reducers

Heavy Duty 22, 24 & 30mm Bores 4.5 – 62 Nm **1:1 - 40:1**



Part Number			Ratio	Type	Input Face	Efficiency at 1000 Rpm	Max Input Speed	Self Locking Output
ØB = 22mm	ØB = 24mm	ØB = 30mm						
E60-1-22	E60-1-24	E60-1-30	1:1	Helical	B	92%	3,000	✗
E60-2-22	E60-2-24	E60-2-30	2:1	Helical	A	90%	3,000	✗
E60-3-22	E60-3-24	E60-3-30	3:1	Helical	A	89%	3,000	✗
E60-4-22	E60-4-24	E60-4-30	4:1	Helical	A	88%	3,000	✗
E60-5-22	E60-5-24	E60-5-30	5:1	Helical	A	80%	3,000	✗
E60-8-22	E60-8-24	E60-8-30	8:1	Wormwheel	A	80%	1,500	✗
E60-10-22	E60-10-24	E60-10-30	10:1	Wormwheel	A	73%	1,500	✗
E60-20-22	E60-20-24	E60-20-30	20:1	Wormwheel	A	67%	1,500	✓
E60-40-22	E60-40-24	E60-40-30	40:1	Wormwheel	A	60%	1,500	✓
E60-SP-22	E60-SP-24	E60-SP-30	1:1 - 40:1	Special Ratios : Replace SP with required ratio				
E60-SPA-22	E60-SPA-24	E60-SPA-30	1:1 - 40:1	Low Backlash ≤30' : Replace SP with required ratio				
E60-SPLH-22	E60-SPLH-24	E60-SPLH-30	1:1 - 40:1	Left Hand Helicals : Replace SP with required ratio				

Weight: 5.5 kg (Approx.)

Standard Backlash: ≈1°. Low Backlash: ≤30'.

Greased for Life: Shell Gadus S2 V220AD 2.

LH – Left hand helix reverses output rotation.

Max. Overhung Loads at 1000 Rpm: Overhung Load (F_x) = 80 kg.

Max. Thrust Loads at 1000 Rpm: Thrust Load (F_a) = 50 kg.

Self Locking Output: Subject to ratio and only applies in static condition.

Amount of locking effect may vary due to manufacturing processes.

Modifications and specials are available. Please contact Technical Sales department.

ØB Bore Sizes

Standard part 25 mm H7 with 8 x 7 mm keyway

30 mm H7 with 8 x 7 mm keyway

24 mm H7 with 8 x 7 mm keyway

22 mm H7 with 6mm keyway

All bores supplied with keyway to DIN 6885 - Js9 tolerance.

ondrives.us

☎ 516-771-6777

🌐 www.ondrives.us

✉ sales@ondrives.us