

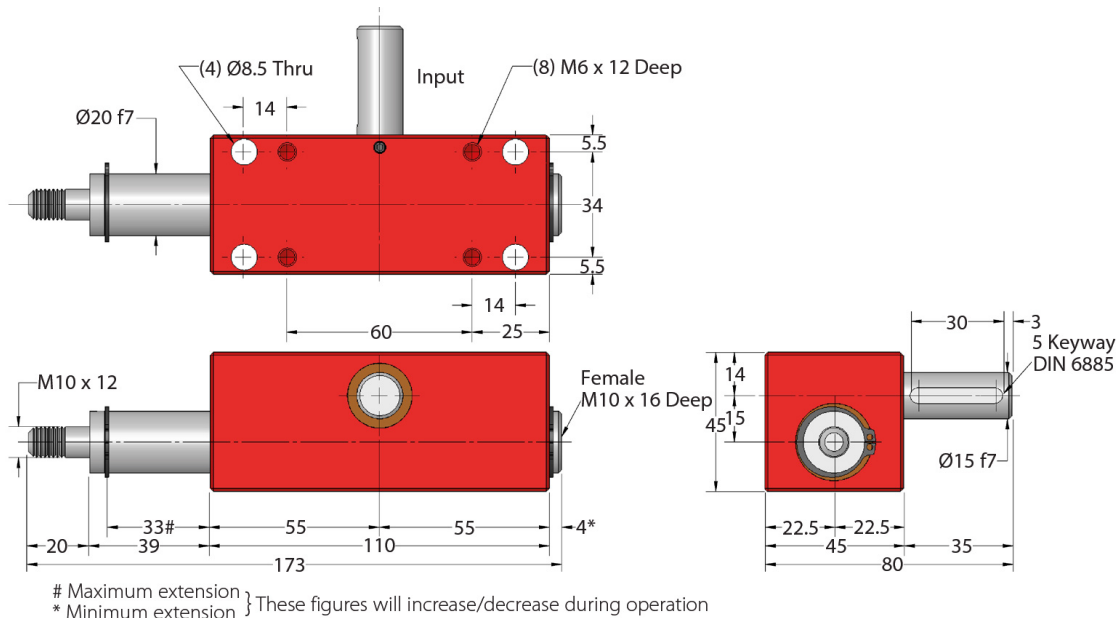
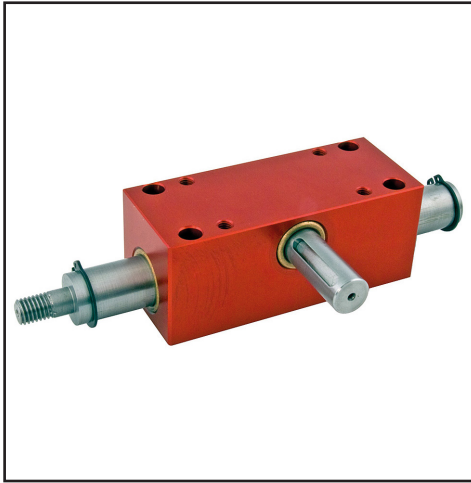
RPA20

# GEARBOXES

## Rack & Pinion Actuator Box

30 mm Stroke, 60 kg Load, 5.2 Nm

RPA20



Part Number	Output Shaft Dia.	Input Shaft Dia.	Standard Travel	Max Torque Input at 100 rpm Nm	Max Load Output kg	Angular Movement For 1mm Travel	Angular Movement For Std Travel
RPA20-30	Ø20	Ø15	30	5.2	60	6.55°	196.5°

Case: Aluminum. Rack & Pinion: High Carbon Steel 817M40 (EN24).

Backlash: 2°.

Travel: 30 mm travel = 196.5° pinion rotation on input. 1 mm travel = 6.55° pinion rotation on input.

Greased for Life: Shell Gadus S5 V42P 2.5.

Special lengths or travel can be supplied to suit customers' requirements.

**ondrives.us**

☎ 1-888-260-7466

📄 516-771-6444

💻 sales@ondrivesus.com

🌐 www.ondrivesus.com